

PRATT & WHITNEY CANADA
ILLUSTRATED PARTS CATALOG
MANUAL PART NO. 3013244

LIST OF EFFECTIVE PAGES

<u>CHAPTER SECTION</u>	<u>PAGE</u>	<u>DATE</u>	<u>CHAPTER SECTION</u>	<u>PAGE</u>	<u>DATE</u>
LEP	1	Aug 27/2004	79-20-02 Figure 2	1	Aug 27/2004
	2 blank	Aug 27/2004		2	Aug 27/2004
Contents	1	Aug 27/2004		3	Aug 27/2004
	2 blank	Aug 27/2004		4	Aug 27/2004
79-20-01 Figure 1	1	Aug 27/2004	79-20-03 Figure 1	1	Aug 27/2004
	2	Aug 27/2004		2	Aug 27/2004
	3	Aug 27/2004		3	Aug 27/2004
	4	Aug 27/2004		4	Aug 27/2004
	5	Aug 27/2004		5	Aug 27/2004
	6	Aug 27/2004		6 blank	Aug 27/2004
	7	Aug 27/2004			
	8 blank	Aug 27/2004			
79-20-01 Figure 2	1	Aug 27/2004			
	2	Aug 27/2004			
	3	Aug 27/2004			
	4	Aug 27/2004			
	5	Aug 27/2004			
	6	Aug 27/2004			
79-20-01 Figure 3	1	Aug 27/2004			
	2	Aug 27/2004			
	3	Aug 27/2004			
	4	Aug 27/2004			
	5	Aug 27/2004			
	6	Aug 27/2004			
	7	Aug 27/2004			
	8	Aug 27/2004			
	9	Aug 27/2004			
	10	Aug 27/2004			
79-20-02 Figure 1	1	Aug 27/2004			
	2	Aug 27/2004			
	3	Aug 27/2004			
	4	Aug 27/2004			
	5	Aug 27/2004			
	6	Aug 27/2004			
	7	Aug 27/2004			
	8	Aug 27/2004			

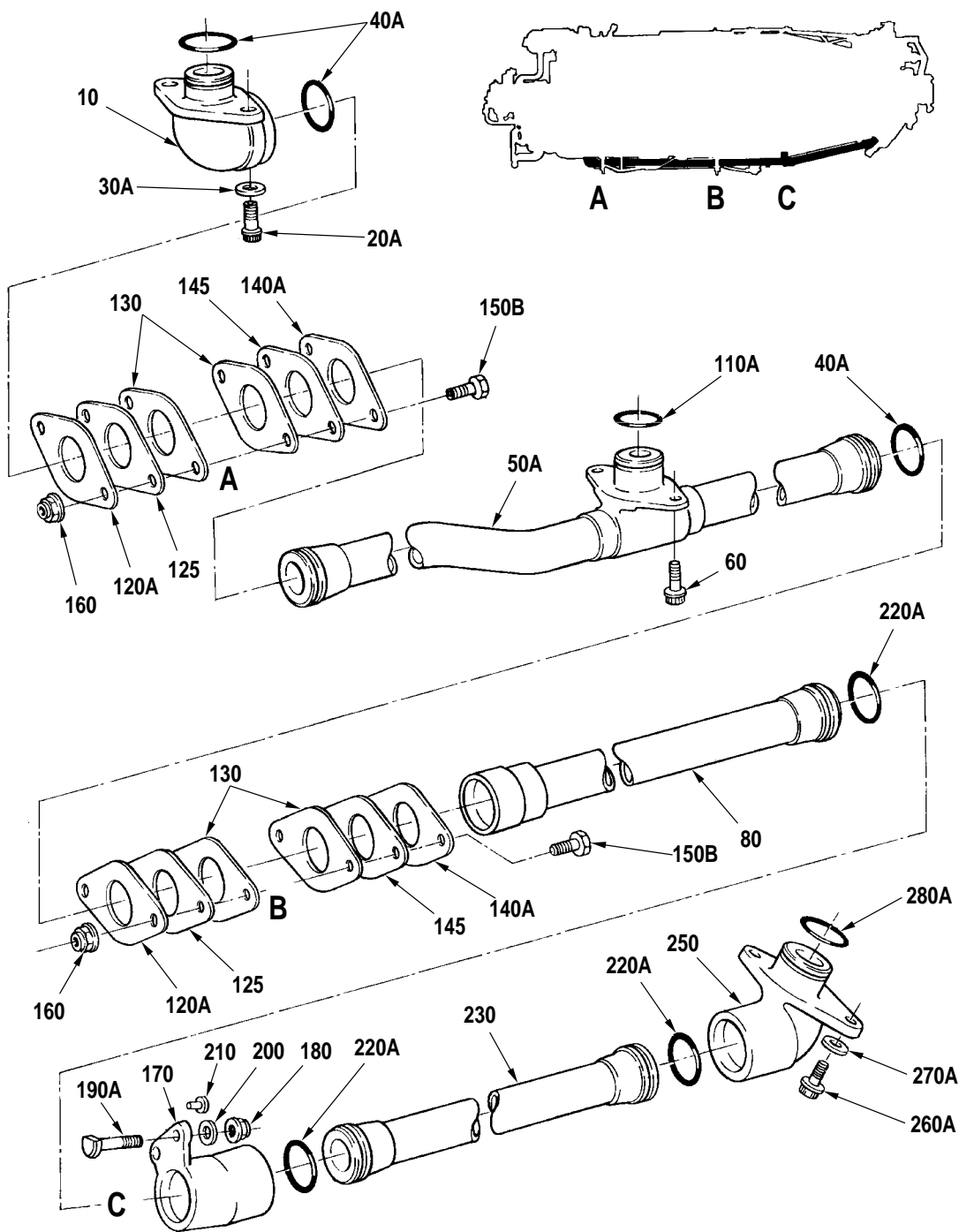
PRATT & WHITNEY CANADA
ILLUSTRATED PARTS CATALOG
MANUAL PART NO. 3013244

TABLE OF CONTENTS

<u>TITLE</u>	<u>CH/SE/SU</u>	<u>FIGURE</u>
Dual Scavenge Oil Tubes and Flexible Hose to Cooler	79-20-01	3
No.2 Bearing Scavenge Oil Tube Group	79-20-01	2
Pressure Oil Tubes Group	79-20-01	1
Oil Filter Components Group - Alternate Configuration	79-20-02	2
Oil Filter Components Group	79-20-02	1
Oil-To-Fuel Heater Check Valve Group	79-20-03	1

Pressure Oil Tubes Group

PRATT & WHITNEY CANADA
 ILLUSTRATED PARTS CATALOG
 MANUAL PART NO. 3013244



Pressure Oil Tubes Group
 Figure 1

PRATT & WHITNEY CANADA
ILLUSTRATED PARTS CATALOG
MANUAL PART NO. 3013244

FIG. ITEM	PART NUMBER	AIRLINE PART NUMBER	1234567 NOMENCLATURE	EFFECT CODE	UNITS PER ASSY
1					
- 1			PRESSURE OIL TUBES GROUP SEE 72-00-00 FIG. 1 FOR NHA	A B C	REF
10	3007389		.ELBOW, TUBE-TO-BOSS	A B C	1
			ATTACHING PARTS		
- 20	3012141		.BOLT, MACHINE, DRD HEX INTRCHG WITH P/N MS9529-08	A B C	2
20A	MS9529-08		.BOLT, MACHINE, DRD HEX	A B C	2
- 30	AN122581		.WASHER, PLAIN INTRCHG WITH P/N MS9320-09	A B C	2
30A	MS9320-09		.WASHER, FLAT	A B C	2
			-----*-----		
- 40	3011370		.PACKING, PREFORMED INTRCHG WITH P/N MS9388-017	A B C	2
40A	MS9388-017		.PACKING, PREFORMED INTRCHG WITH P/N AS3209-017	A B C	3
- 40B	AS3209-017		.PACKING, PREFORMED	A B C	3
- 50	3011366		.TUBE ASSEMBLY, PRESSURE OIL TRANSFER NONINTR WITH P/N 3020667	A B	1
50A	3020667		.TUBE ASSEMBLY, PRESSURE OIL TRANSFER	A B C	1
			ATTACHING PARTS		
60	MS9565-06		.BOLT, MACHINE, DRD, HEX	A B C	2
			-----*-----		
- 70	3009436		..FERRULE, TUBE	A B C	NP

CONTINUED

- ITEM NOT ILLUSTRATED

EFF MODEL A PT6A-27 B PT6A-28 C PT6A-21	EFF MODEL	EFF MODEL
--	-----------	-----------

79-20-01
Figure 1
Page 3
Aug 27/2004

PRATT & WHITNEY CANADA
ILLUSTRATED PARTS CATALOG
MANUAL PART NO. 3013244

FIG. ITEM	PART NUMBER	AIRLINE PART NUMBER	NOMENCLATURE	EFFECT CODE	UNITS PER ASSY
1			1234567		
80	3020665		.TUBE ASSEMBLY, PRESSURE OIL TRANSFER	A B C	1
- 90	3020663		..FERRULE, TUBE	A B C	NP
100	DELETED		TRANSFERRED TO 73-10-01		
- 100A	3018733CL1		.SPACER, ALIGNMENT (DELETED) SEE NOTE 1	A B	AR
- 100B	3018733CL2		.SPACER, ALIGNMENT (DELETED) SEE NOTE 1	A B	AR
- 100C	3018733CL3		.SPACER, ALIGNMENT (DELETED) SEE NOTE 1	A B	AR
- 110	3001639		.PACKING, PREFORMED INTRCHG WITH P/N MS9388-014	A B C	1
110A	MS9388-014		.PACKING, PREFORMED	A B C	1
- 110B	AS3209-014		.PACKING, PREFORMED	A B C	1
- 120	3011373		.PLATE ASSEMBLY, SEAL RETAINING PRESSURE OIL TUBE INTRCHG WITH P/N 3011369	A B C	2
120A	3011369		.PLATE, SEAL RETAINING, PRESSURE OIL LINE	A B C	2
125	3106797-01		.INSULATION, SEAL RETAINING PLATE PRE-SB1493 TWO-WAY INTRCHG WITH P/N 3117233-01	A B C	2
- 125A	3117233-01		.INSULATION, SEAL RETAINING PLATE POST-SB1493	A B C	2
130	3011371		.SEAL, PRESSURE OIL TUBE	A B C	4
140	3011370		.PLATE ASSEMBLY, SEAL RETAINING PRESSURE OIL TUBE INTRCHG WITH P/N 3011369	A B C	2

CONTINUED

- ITEM NOT ILLUSTRATED

EFF MODEL A PT6A-27 B PT6A-28 C PT6A-21	EFF MODEL	EFF MODEL
--	-----------	-----------

79-20-01
Figure 1
Page 4
Aug 27/2004

PRATT & WHITNEY CANADA
ILLUSTRATED PARTS CATALOG
MANUAL PART NO. 3013244

FIG. ITEM	PART NUMBER	AIRLINE PART NUMBER	1234567 NOMENCLATURE	EFFECT CODE	UNITS PER ASSY
1					
140A	3011369		.PLATE, SEAL RETAINING PRESSURE OIL TUBE	A B C	2
145	3106797-01		.INSULATION, SEAL RETAINING PLATE USE WITH P/N 3011369 PRE-SB1493 TWO-WAY INTRCHG WITH P/N 3117233-01	A B C	2
- 145A	3117233-01		.INSULATION, SEAL RETAINING PLATE POST-SB1493 ATTACHING PARTS	A B C	2
- 150	3012216		.BOLT, MACHINE, HEX INTRCHG WITH P/N 3012366	A B C	4
- 150A	3012366		.BOLT, MACHINE, HEX	A B C	4
150B	MS9518-08		.BOLT, MACHINE, HEX INTRCHG WITH P/N MS9518-10	A B C	4
- 150C	MS9518-10		.BOLT, MACHINE, HEX	A B C	4
160	3012675		.NUT OPTION (IC) SEE TABLE FOR OPTIONAL PART NUMBERS -----*-----	A B C	4
170	3009476		.COUPLING ASSEMBLY, EXTERNAL PRESSURE OIL TRANSFER ATTACHING PARTS	A B C	1
180	3012414		.NUT OPTION (IC) SEE TABLE FOR OPTIONAL PART NUMBERS	A B C	2
- 190	3012379		.BOLT, MACHINE, D HEAD INTRCHG WITH P/N 3013160	A B	2
190A	3013160		.BOLT, MACHINE, DEE HEAD INTRCHG WITH P/N 3102933-02	A B C	2
- 190B	3102933-02		.BOLT, MACHINE, TEE HEAD	A B C	2

CONTINUED

- ITEM NOT ILLUSTRATED

EFF MODEL A PT6A-27 B PT6A-28 C PT6A-21	EFF MODEL	EFF MODEL
--	-----------	-----------

79-20-01

Figure 1

Page 5

Aug 27/2004

PRATT & WHITNEY CANADA
ILLUSTRATED PARTS CATALOG
MANUAL PART NO. 3013244

FIG. ITEM	PART NUMBER	AIRLINE PART NUMBER	NOMENCLATURE	EFFECT CODE	UNITS PER ASSY
1			1234567		
200	3001564		.WASHER, PLAIN	A B C	2
			-----*-----		
210	3007485		.PIN, STRAIGHT	A B C	1
- 220	3001641		.PACKING, PREFORMED INTRCHG WITH P/N MS9388-017	A B C	3
220A	MS9388-017		.PACKING, PREFORMED INTRCHG WITH P/N AS3209-017	A B C	3
- 220B	AS3209-017		.PACKING, PREFORMED	A B C	3
230	3004322		.TUBE, TRANSFER INTRCHG WITH P/N 3035890	A B C	1
- 230A	3035890		.TUBE, TRANSFER	A B C	1
- 240			PRESSURE OIL ELBOW INSTALLATION SEE 72-00-00 FIG. 1 FOR NHA	A B C	REF
250	3007103		.ELBOW, PRESSURE OIL TRANSFER, FRONT	A B C	1
			ATTACHING PARTS		
- 260	3012141		.BOLT, MACHINE, DRD HEX INTRCHG WITH P/N MS9529-08	A B C	2
260A	MS9529-08		.BOLT, MACHINE, DRD HEX	A B C	2
- 270	AN122581		.WASHER, PLAIN INTRCHG WITH P/N MS9320-09	A B C	2
270A	MS9320-09		.WASHER, FLAT	A B C	2
			-----*-----		

CONTINUED

- ITEM NOT ILLUSTRATED

EFF MODEL	EFF MODEL	EFF MODEL
A PT6A-27		
B PT6A-28		
C PT6A-21		

79-20-01
Figure 1
Page 6
Aug 27/2004

PRATT & WHITNEY CANADA
ILLUSTRATED PARTS CATALOG
MANUAL PART NO. 3013244

FIG. ITEM	PART NUMBER	AIRLINE PART NUMBER	1234567	NOMENCLATURE	EFFECT CODE	UNITS PER ASSY
1						
- 280	3001641			.PACKING, PREFORMED INTRCHG WITH P/N MS9388-017	A B C	1
280A	MS9388-017			.PACKING, PREFORMED INTRCHG WITH P/N AS3209-017	A B C	1
- 280B	AS3209-017			.PACKING, PREFORMED	A B C	1
				NOTE 1: PART STILL REQUIRED IF SB1169 IS NOT FITTED. USE ONE TO THREE IN ANY COMBINATION		
				NOTE 2: INCLUDED IN HOT SECTION INSPECTION PARTS KIT P/N 3031407		

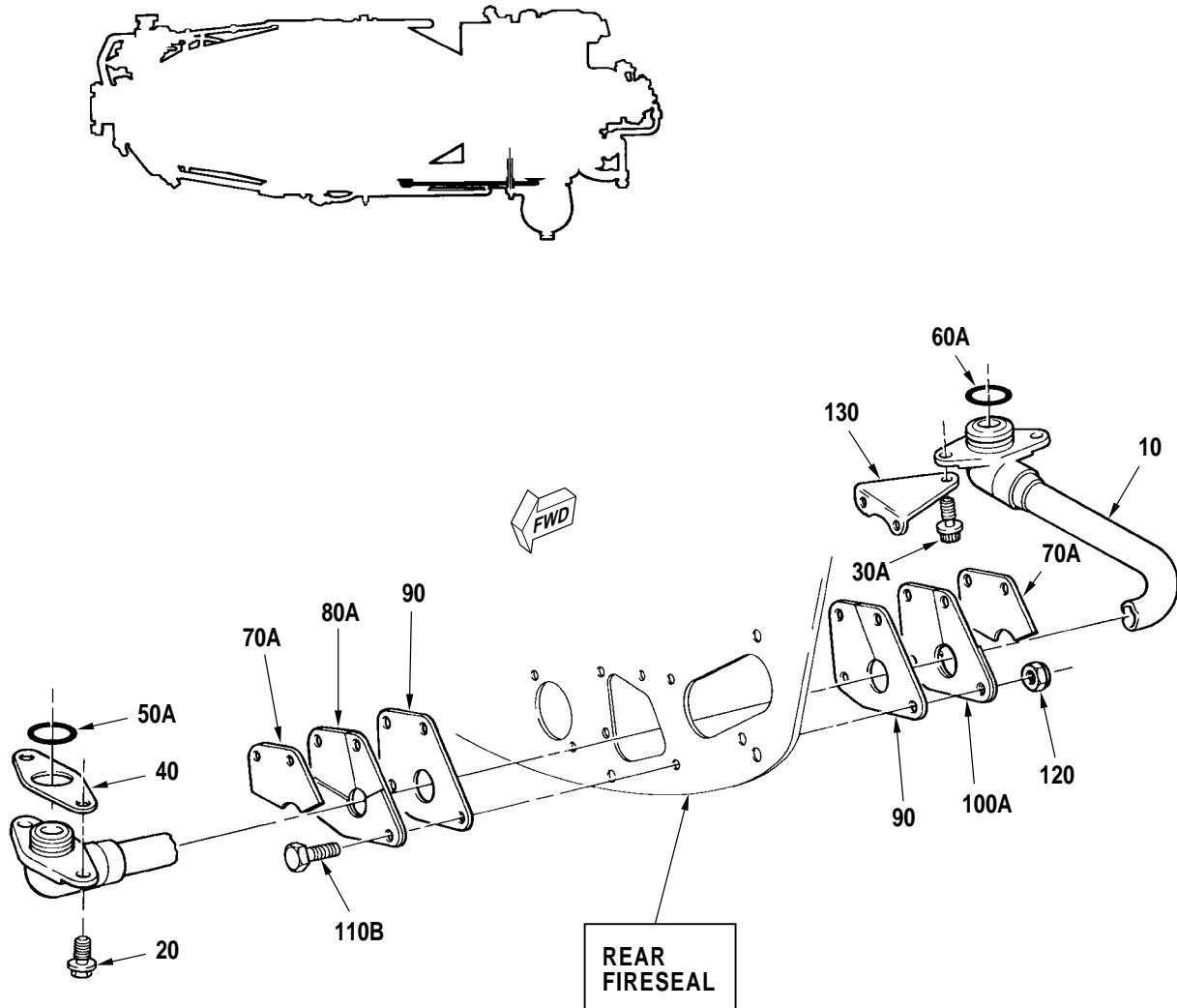
- ITEM NOT ILLUSTRATED

EFF MODEL	EFF MODEL	EFF MODEL
A PT6A-27		
B PT6A-28		
C PT6A-21		

79-20-01
Figure 1
Page 7/8
Aug 27/2004

No.2 Bearing Scavenge Oil Tube Group

PRATT & WHITNEY CANADA
ILLUSTRATED PARTS CATALOG
MANUAL PART NO. 3013244



No.2 Bearing Scavenge Oil Tube Group
Figure 2 (Sheet 1 of 2)

PRATT & WHITNEY CANADA
ILLUSTRATED PARTS CATALOG
MANUAL PART NO. 3013244

FIG. ITEM	PART NUMBER	AIRLINE PART NUMBER	1234567 NOMENCLATURE	EFFECT CODE	UNITS PER ASSY
2					
- 1			NO.2 BEARING SCAVENGE OIL TUBE GROUP SEE 72-00-00 FIG. 1 FOR NHA	A B C	REF
10	3012236		.TUBE ASSY, NO.2 BEARING SCAVENGE OIL INTRCHG WITH P/N 3011357	A B	1
10A	3011357		.TUBE ASSY, NO.2 BEARING SCAVENGE OIL POST-SB1153	A B C	1
20	3011947		ATTACHING PARTS .BOLT, MACHINE INTRCHG WITH P/N MS9565-06	A B C	2
20A	MS9565-06		.BOLT, MACHINE	A B C	2
- 30	3011947		.BOLT, MACHINE, DR, HEX INTRCHG WITH P/N 3012369	A B C	2
30A	3012369		.BOLT, MACHINE, DR, HEX INTRCHG WITH P/N MS9529-06	A B C	2
30B	MS9529-06		.BOLT, MACHINE	A B C	2
40	3011367		-----*----- .GASKET, NO.2 BEARING OIL SCAVENGE PRE-SB1473 INTRCHG WITH P/N 3115931-01	A B C	1
40A	3115931-01		.GASKET, 2 HOLE, NO.2 BEARING OIL SCAVENGE POST-SB1473	A B C	1
- 50	3001639		.PACKING, PREFORMED INTRCHG WITH P/N MS9388-014	A B C	1
50A	MS9388-014		.PACKING, PREFORMED INTRCHG WITH P/N AS3209-014	A B C	1
50B	AS3209-014		.PACKING, PREFORMED	A B C	1

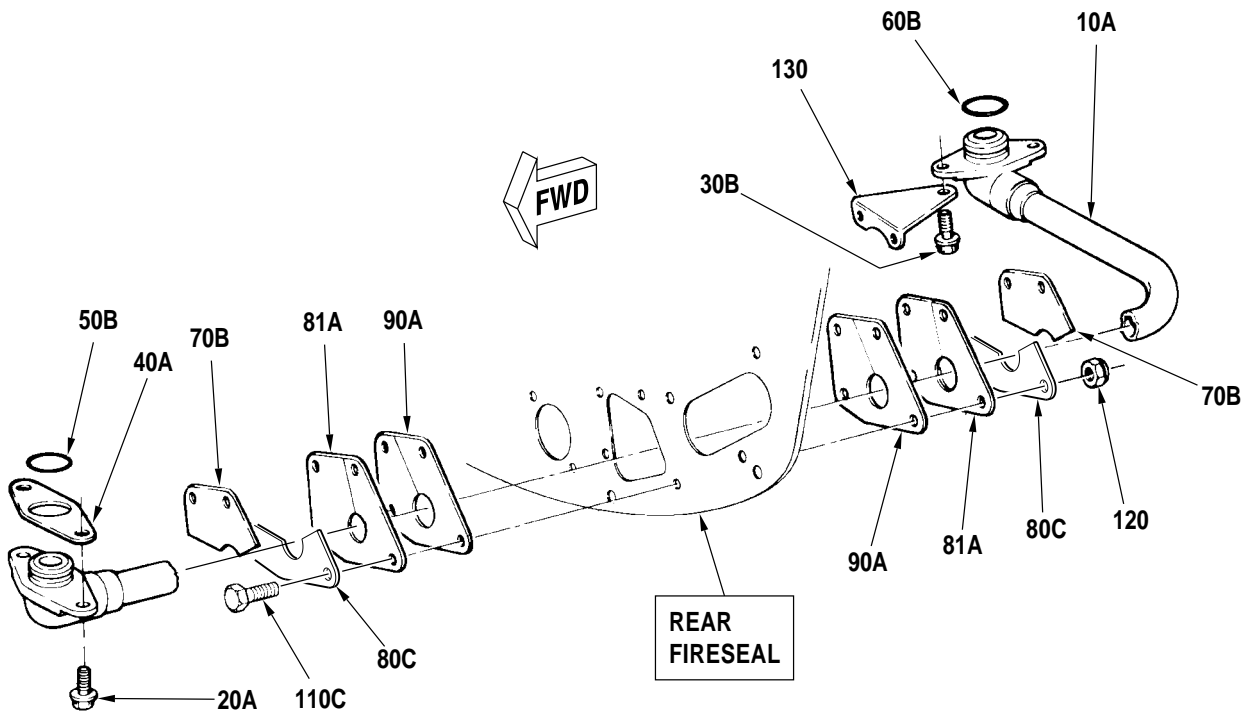
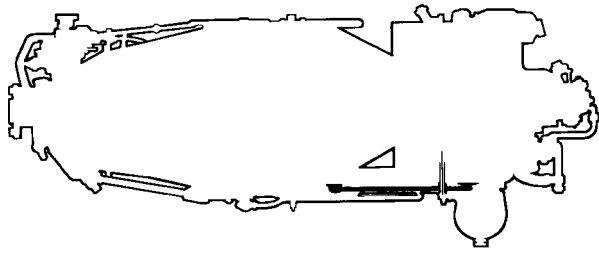
CONTINUED

- ITEM NOT ILLUSTRATED

EFF MODEL A PT6A-27 B PT6A-28 C PT6A-21	EFF MODEL	EFF MODEL
--	-----------	-----------

79-20-01
Figure 2
Page 3
Aug 27/2004

PRATT & WHITNEY CANADA
ILLUSTRATED PARTS CATALOG
MANUAL PART NO. 3013244



No.2 Bearing Scavenge Oil Tube Group
Figure 2 (Sheet 2 of 2)

PRATT & WHITNEY CANADA
ILLUSTRATED PARTS CATALOG
MANUAL PART NO. 3013244

FIG. ITEM	PART NUMBER	AIRLINE PART NUMBER	1234567 NOMENCLATURE	EFFECT CODE	UNITS PER ASSY
2					
- 60	3001640		.PACKING, PREFORMED INTRCHG WITH P/N MS9388-016	A B C	1
60A	MS9388-016		.PACKING, PREFORMED INTRCHG WITH P/N AS3209-016	A B C	1
60B	AS3209-016		.PACKING, PREFORMED	A B C	1
- 70	3011385		.PLATE, SEAL RETAINING, NO.2 BEARING OIL SCAVENGE TUBE NONINTR WITH P/N 3019927	A B	2
70A	3019927		.PLATE, SEAL RETAINING POST-SB1153 PRE-SB1562 TWO-WAY INTRCHG WITH P/N 3048928-01	A B C	2
70B	3048928-01		.PLATE, SEAL RETAINING POST-SB1562	A B C	2
- 80	3011387		.PLATE ASSY, SEAL RETAINING, NO.2 BEARING OIL SCAVENGE TUBE NONINTR WITH P/N 3019929	A B	1
80A	3019929		.PLATE ASSY, SEAL RETAINING, NO.2 BEARING OIL SCAVENGE TUBE POST-SB1153 INTRCHG WITH P/N 3019924	A B C	1
- 80B	3019924		.PLATE, SEAL RETAINING, NO.2 BEARING SCAVENGE LINE PRE-SB1562 TWO-WAY INTRCHG WITH P/N 3048941-01	A B C	2
80C	3048941-01		.PLATE, SEAL RETAINING POST-SB1562	A B C	2
- 81	3106796-02		.INSULATION, SEAL RETAINING PLATE PRE-SB1493 TWO-WAY INTRCHG WITH P/N 3117232-01	A B C	2
81A	3117232-01		.INSULATION, SEAL RETAINING PLATE POST-SB1493	A B C	2
90	3011384		.SEAL, NO.2 BEARING SCAVENGE LINE NONINTR WITH P/N 3019926	A B	2

CONTINUED

- ITEM NOT ILLUSTRATED

EFF MODEL A PT6A-27 B PT6A-28 C PT6A-21	EFF MODEL	EFF MODEL
--	-----------	-----------

79-20-01
Figure 2
Page 5
Aug 27/2004

PRATT & WHITNEY CANADA
ILLUSTRATED PARTS CATALOG
MANUAL PART NO. 3013244

FIG. ITEM	PART NUMBER	AIRLINE PART NUMBER	NOMENCLATURE	EFFECT CODE	UNITS PER ASSY
2			1234567		
90A	3019926		.SEAL NO.2 BEARING SCAVENGE LINE	A B C	2
- 100	3011383		.PLATE ASSY, SEAL RETAINING, NO.2 BEARING OIL SCAVENGE TUBE NONINTR WITH P/N 3019925	A B	1
100A	3019925		.PLATE ASSY, SEAL RETAINING, NO.2 BEARING OIL SCAVENGE TUBE INTRCHG WITH P/N 3019924	A B C	1
- 100B	DELETED		REFER TO ITEM 80B		
- 100C	DELETED		REFER TO ITEM 81A		
- 100D	DELETED		REFER TO ITEM 80C		
- 101	DELETED		REFER TO ITEM 81		
- 101A	DELETED		REFER TO ITEM 81A		
			ATTACHING PARTS		
- 110	3012216		.BOLT, MACHINE, HEX INTRCHG WITH P/N 3012366	A B C	4
- 110A	3012366		.BOLT, MACHINE, HEX INTRCHG WITH P/N MS9518-08	A B C	4
110B	MS9518-08		.BOLT, MACHINE, HEX INTRCHG WITH P/N MS9518-10	A B C	4
110C	MS9518-10		.BOLT, MACHINE, HEX	A B C	4
120	3012675		.NUT OPTION (IC) SEE TABLE FOR OPTIONAL PART NUMBERS	A B C	4
			-----*-----		
130	3011533		.BRACKET, REAR FIRESEAL MOUNTING, BOTTOM	A B C	1

- ITEM NOT ILLUSTRATED

EFF MODEL	EFF MODEL	EFF MODEL
A PT6A-27		
B PT6A-28		
C PT6A-21		

79-20-01
Figure 2
Page 6
Aug 27/2004

Dual Scavenge Oil Tubes and Flexible Hose to Cooler

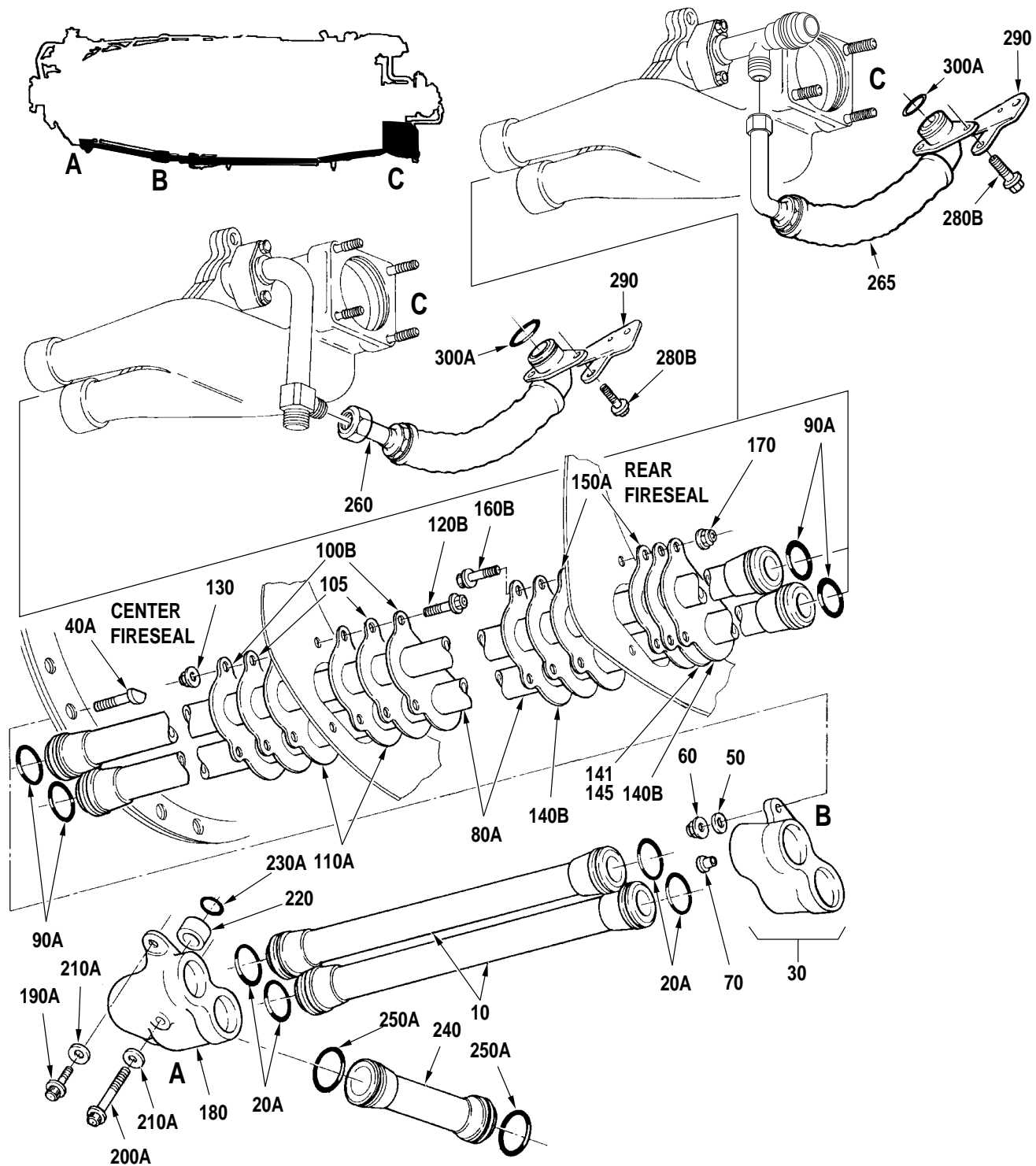
79-20-01

Figure 3

Page 1

Aug 27/2004

PRATT & WHITNEY CANADA
 ILLUSTRATED PARTS CATALOG
 MANUAL PART NO. 3013244



Dual Scavenge Oil Tubes and Flexible Hose to Cooler
 Figure 3

79-20-01

Figure 3

Page 2

Aug 27/2004

C52078F

PRATT & WHITNEY CANADA
ILLUSTRATED PARTS CATALOG
MANUAL PART NO. 3013244

FIG. ITEM	PART NUMBER	AIRLINE PART NUMBER	NOMENCLATURE	EFFECT CODE	UNITS PER ASSY
3			1234567		
- 1			DUAL SCAVENGE OIL TUBES AND FLEXIBLE HOSE TO COOLER SEE 72-00-00 FIG. 1 FOR NHA	A B C	REF
10	3008623		.TUBE, TRANSFER, PACKING INTRCHG WITH P/N 3035891	A B C	2
- 10A	3035891		.TUBE, TRANSFER, PACKING	A B C	2
- 20	3003420		.PACKING, PREFORMED INTRCHG WITH P/N MS9388-019	A B C	4
20A	MS9388-019		.PACKING, PREFORMED (USE 10 UNITS ON ENGINES THAT RETAIN P/N 3011342 AND 3011346) INTRCHG WITH P/N AS3209-019 SEE NOTE 1	A B C	4
- 20B	AS3209-019		.PACKING, PREFORMED, (USE 10 UNITS ON ENGINES THAT RETAIN P/N 3011342 AND 3011346) SEE NOTE 1	A B C	4
30	3009478		.COUPLING ASSEMBLY, EXTERNAL SCAVENGE TRANSFER	A B C	1
			ATTACHING PARTS		
- 40	3012379		.BOLT, MACHINE, DEE-HEAD INTRCHG WITH P/N 3013160	A	3
40A	3013160		.BOLT, MACHINE, DEE-HEAD INTRCHG WITH P/N 3102933-02	A B C	3
- 40B	3102933-02		.BOLT, MACHINE, TEE-HEAD	A B C	3
50	3001564		.WASHER, PLAIN	A B C	3
60	3012414		.NUT OPTION (IC) SEE TABLE FOR OPTIONAL PART NUMBERS	A B C	3
			-----*-----		
70	3007485		.PIN, STRAIGHT	A B C	1

CONTINUED

- ITEM NOT ILLUSTRATED

EFF MODEL A PT6A-27 B PT6A-28 C PT6A-21	EFF MODEL	EFF MODEL
--	-----------	-----------

79-20-01
Figure 3
Page 3
Aug 27/2004

PRATT & WHITNEY CANADA
ILLUSTRATED PARTS CATALOG
MANUAL PART NO. 3013244

FIG. ITEM	PART NUMBER	AIRLINE PART NUMBER	NOMENCLATURE	EFFECT CODE	UNITS PER ASSY
3			1234567		
- 80	3011342		.TUBE ASSEMBLY, SCAVENGE OIL TRANSFER PRE-SB1087 NONINTR WITH P/N 3013217	A B	1
80A	3013217		.TUBE ASSEMBLY, SCAVENGE OIL TRANSFER POST-SB1087	A B C	2
- 85	3011346		.TUBE ASSEMBLY, SCAVENGE OIL TRANSFER PRE-SB1087 (DELETED BY SB1087)	A B	1
- 90	3002348		.PACKING, PREFORMED INTRCHG WITH P/N MS9388-116	A B C	4
90A	MS9388-116		.PACKING, PREFORMED INTRCHG WITH P/N AS3209-116 SEE NOTE 1	A B C	4
- 90B	AS3209-116		.PACKING, PREFORMED SEE NOTE 1	A B C	4
- 100	3010746		.PLATE ASSEMBLY, SEAL RETAINING, CENTER FIRESEAL PRE-PT6A SPB NO.19 NONINTR WITH P/N 3013222 TWO-WAY INTRCHG WITH P/N 3106803-01 TWO-WAY INTRCHG WITH P/N 3010745	A B	2
- 100A	3013222		.PLATE ASSEMBLY, SEAL RETAINING, CENTER FIRESEAL POST-SB1087 INTRCHG WITH P/N 3013220	A B C	2
100B	3013220		.PLATE, SEAL RETAINING, SCAVENGE LINE	A B C	2
- 101	3106803-01		.INSULATION, SEAL RETAINING SCAVENGE LINE POST-PT6A SPB NO.19	A B C	2
- 102	3010745		.PLATE, SEAL RETAINING, SCAVENGE LINE POST-PT6A SPB NO.19	A B C	2
105	3106793-01		.INSULATION, SEAL RETAINING PLATE, SCAVENGE LINE USE WITH P/N 3013220 PRE-SB1493 TWO-WAY INTRCHG WITH P/N 3117229-01	A B C	2

CONTINUED

- ITEM NOT ILLUSTRATED

EFF MODEL A PT6A-27 B PT6A-28 C PT6A-21	EFF MODEL	EFF MODEL
--	-----------	-----------

79-20-01
Figure 3
Page 4
Aug 27/2004

PRATT & WHITNEY CANADA
ILLUSTRATED PARTS CATALOG
MANUAL PART NO. 3013244

FIG. ITEM	PART NUMBER	AIRLINE PART NUMBER	1234567 NOMENCLATURE	EFFECT CODE	UNITS PER ASSY
3					
- 105A	3117229-01		.INSULATION, SEAL RETAINING PLATE, SCAVENGE LINE POST-SB1493	A B C	2
- 105B	3106803-01		.INSULATION, SCAVENGE SEAL RETAINING PLATE PRE-SB1493 TWO-WAY INTRCHG WITH P/N 3117239-01	A	2
- 105C	3117239-01		.INSULATION, SCAVENGE SEAL RETAINING PLATE POST-SB1493	A	2
- 110	3010747		.SEAL, SCAVENGE TUBES, CENTER FIRESEAL NONINTR WITH P/N 3013223	A B	2
110A	3013223		.SEAL, SCAVENGE TUBES, CENTER FIRESEAL PRE-SB1087 ATTACHING PARTS	A B C	2
- 120	3012216		.BOLT, MACHINE, HEX INTRCHG WITH P/N 3012366	A B C	3
- 120A	3012366		.BOLT, MACHINE, HEX INTRCHG WITH P/N MS9518-08	A B C	3
120B	MS9518-08		.BOLT, MACHINE, HEX	A B C	3
130	3012675		.NUT OPTION (IC) SEE TABLE FOR OPTIONAL PART NUMBERS -----*-----	A B C	3
- 140	3011379		.PLATE ASSEMBLY, SEAL RETAINING SCAVENGE TUBES, REAR FIRESEAL INTRCHG WITH P/N 3013288 INTRCHG WITH P/N 3111378	A B	2
- 140A	3013228		.PLATE ASSEMBLY, SEAL RETAINING SCAVENGE TUBES, REAR FIRESEAL POST-SBSB1087	A B C	2
140B	3013227		.PLATE, SEAL RETAINING SCAVENGE TUBES, REAR FIRESEAL	A B C	2
- 140C	3011378		.PLATE, SEAL RETAINING, SCAVENGE TUBES, REAR FIRESEAL SEE NOTE 2	A	2

CONTINUED

- ITEM NOT ILLUSTRATED

EFF MODEL A PT6A-27 B PT6A-28 C PT6A-21	EFF MODEL	EFF MODEL
--	-----------	-----------

79-20-01
Figure 3
Page 5
Aug 27/2004

PRATT & WHITNEY CANADA
ILLUSTRATED PARTS CATALOG
MANUAL PART NO. 3013244

FIG. ITEM	PART NUMBER	AIRLINE PART NUMBER	NOMENCLATURE	EFFECT CODE	UNITS PER ASSY
3			1234567		
141	3106792-01		.INSULATION, SCAVENGE OIL, RETAINING PLATE PRE-SB1493 TWO-WAY INTRCHG WITH P/N 3117229-01	A B C	2
- 141A	3117228-01		.INSULATION, SEAL, RETAINING PLATE POST-SB1493	A B C	2
145	3106802-01		.INSULATION, SCAVENGE OIL, RETAINING PLATE PRE-SB1493 TWO-WAY INTRCHG WITH P/N 3117238-01	A	2
- 145A	3117238-01		.INSULATION, SEAL RETAINING PLATE POST-SB1493	A	2
- 150	3011380		.SEAL, SCAVENGE TUBES, REAR FIRESEAL NONINTR WITH P/N 3013229	A B	2
150A	3013229		.SEAL SCAVENGE TUBES, REAR FIRESEAL POST-SB1087	A B C	2
			ATTACHING PARTS		
- 160	3012216		.BOLT, MACHINE, HEX INTRCHG WITH P/N 3012366	A B C	3
- 160A	3012366		.BOLT, MACHINE, HEX INTRCHG WITH P/N MS9518-08	A B C	3
160B	MS9518-08		.BOLT, MACHINE, HEX INTRCHG WITH P/N MS9518-10	A B C	3
- 160C	MS9518-10		.BOLT, MACHINE, HEX INTRCHG WITH P/N MS9518-10	A B C	3
- 160D	MS9518-10		.BOLT, MACHINE, HEX	A B C	3
170	3012675		.NUT OPTION (IC) SEE TABLE FOR OPTIONAL PART NUMBERS	A B C	3
			-----*-----		
180	3007102		.ELBOW, SCAVENGE OIL TRANSFER, FRONT	A B C	1

CONTINUED

- ITEM NOT ILLUSTRATED

EFF MODEL	EFF MODEL	EFF MODEL
A PT6A-27		
B PT6A-28		
C PT6A-21		

79-20-01
Figure 3
Page 6
Aug 27/2004

PRATT & WHITNEY CANADA
ILLUSTRATED PARTS CATALOG
MANUAL PART NO. 3013244

FIG. ITEM	PART NUMBER	AIRLINE PART NUMBER	NOMENCLATURE	EFFECT CODE	UNITS PER ASSY
3			1234567		
			ATTACHING PARTS		
- 190	3012141		.BOLT, MACHINE, DRD HEX INTRCHG WITH P/N MS9529-08	A B C	2
190A	MS9529-08		.BOLT, MACHINE, DRD HEX	A B C	2
- 200	3012378		.BOLT, MACHINE, DRD HEX INTRCHG WITH P/N MS9529-026	A	2
200A	MS9529-26		.BOLT, MACHINE, DRD HEX	A B C	1
- 210	AN122581		.WASHER, PLAIN INTRCHG WITH P/N MS9320-09	A B C	3
210A	MS9320-09		.WASHER, FLAT	A B C	3
			-----*-----		
220	3007107		.SLEEVE, SEALING	A B C	1
- 230	3001642		.PACKING, PREFORMED INTRCHG WITH P/N MS9388-018	A B C	1
230A	MS9388-018		.PACKING, PREFORMED INTRCHG WITH P/N AS3209-018	A B C	1
- 230B	AS3209-018		.PACKING, PREFORMED	A B C	1
240	3007105		.TUBE, TRANSFER INTRCHG WITH P/N 3035892	A B C	1
- 240A	3035892		.TUBE, TRANSFER	A B C	1
- 250	3003420		.PACKING, PREFORMED INTRCHG WITH P/N MS9388-019	A B C	2
250A	MS9388-019		.PACKING, PREFORMED INTRCHG WITH P/N AS3209-019	A B C	2

CONTINUED

- ITEM NOT ILLUSTRATED

EFF MODEL A PT6A-27 B PT6A-28 C PT6A-21	EFF MODEL	EFF MODEL
--	-----------	-----------

79-20-01
Figure 3
Page 7
Aug 27/2004

PRATT & WHITNEY CANADA
ILLUSTRATED PARTS CATALOG
MANUAL PART NO. 3013244

FIG. ITEM	PART NUMBER	AIRLINE PART NUMBER	NOMENCLATURE	EFFECT CODE	UNITS PER ASSY
			1234567		
3					
- 250B	AS3209-019		.PACKING, PREFORMED	A B C	2
260	3014776		.HOSE, NON-METALLIC SCAVENGE OIL POST-SB1116 INTRCHG WITH P/N 3033737 SEE NOTE 3	A B C	1
- 260A	3033737		.HOSE, NON-METALLIC FOR ENGINES BUILT TO BS307, BS321, BS324, BS325, BS367, BS392, BS393, BS414, BS622, BS624, BS801, BS877, BS954 FOR ENGINES BUILT TO BS365, BS418, BS419, BS473, BS485, BS570 SEE NOTE 3 PRE-PT6A SPB NO.66 TWO-WAY INTRCHG WITH P/N 3035301	A B C	1
- 260B	3035301		.HOSE OPTION (IC) FOR ENGINES BUILT TO BS307, BS321, BS324, BS325, BS367, BS392, BS393, BS414, BS622, BS624, BS801, BS877, BS954 FOR ENGINES BUILT TO BS365, BS418, BS419, BS473, BS485, BS570 FOR ENGINES BUILT TO BS459, BS486, BS571, BS671, BS1141 SEE NOTE 3 POST-PT6A SPB NO.66 PRE-PT6A SPB NO.65 TWO-WAY INTRCHG WITH P/N 3033737 (IC) CONSISTS OF:	A B C	NP
	3033737		..HOSE, NON-METALLIC		1
	3035296		..HOSE, NON-METALLIC		NP
- 260C	3033737		.HOSE, NON-METALLIC, SCAVENGE OIL FOR ENGINES BUILT TO BS307, BS321, BS324, BS325, BS367, BS392, BS393, BS414, BS622, BS624, BS801, BS877, BS954 FOR ENGINES BUILT TO BS365, BS418, BS419, BS473, BS485, BS570 FOR ENGINES BUILT TO BS788 SEE NOTE 3 POST-PT6A SPB NO.65	A B C	1
CONTINUED					

- ITEM NOT ILLUSTRATED

EFF MODEL	EFF MODEL	EFF MODEL
A PT6A-27		
B PT6A-28		
C PT6A-21		

79-20-01
Figure 3
Page 8
Aug 27/2004

PRATT & WHITNEY CANADA
ILLUSTRATED PARTS CATALOG
MANUAL PART NO. 3013244

FIG. ITEM	PART NUMBER	AIRLINE PART NUMBER	NOMENCLATURE	EFFECT CODE	UNITS PER ASSY
3			1234567		
265	3011362		.HOSE, NON-METALLIC SCAVENGE OIL TEE TO GEARBOX FOR ENGINES BUILT TO BS330, BS362, BS374, BS410, BS423 FOR ENGINES BUILT TO BS346, BS475, BS610 SEE NOTE 4 INTRCHG WITH P/N 3033735	A B C	1
- 265A	3033735		.HOSE, NON-METALLIC, SCAVENGE OIL FOR ENGINES BUILT TO BS330, BS362, BS374, BS410, BS423 FOR ENGINES BUILT TO BS346, BS475, BS610 SEE NOTE 4 PRE-PT6A SPB NO.66 TWO-WAY INTRCHG WITH P/N 3035298	A B C	1
- 265B	3035298		.HOSE OPTION (IC) FOR ENGINES BUILT TO BS330, BS362, BS374, BS410, BS423 FOR ENGINES BUILT TO BS346, BS475, BS610 SEE NOTE 4 POST-PT6A SPB NO.66 PRE-PT6A SPB NO.65 TWO-WAY INTRCHG WITH P/N 3033735 (IC) CONSISTS OF:	A B C	NP
	3033735		..HOSE, NON-METALLIC		1
	3035294		..HOSE, NON-METALLIC		NP
- 265C	3033735		.HOSE, NON-METALLIC, SCAVENGE OIL FOR ENGINES BUILT TO BS330, BS362, BS374, BS410, BS423 FOR ENGINES BUILT TO BS346, BS475, BS610 SEE NOTE 4 POST-PT6A SPB NO.65	A B C	1
- 270	DELETED		TRANSFERRED TO ITEM 265 ATTACHING PARTS		
- 280	3011929		.BOLT, MACHINE, HEX INTRCHG WITH P/N 3012141	A B C	2
- 280A	3012141		.BOLT, MACHINE, DRD HEX INTRCHG WITH P/N MS9529-08	A B C	2

CONTINUED

- ITEM NOT ILLUSTRATED

EFF MODEL A PT6A-27 B PT6A-28 C PT6A-21	EFF MODEL	EFF MODEL
--	-----------	-----------

79-20-01
Figure 3
Page 9
Aug 27/2004

PRATT & WHITNEY CANADA
ILLUSTRATED PARTS CATALOG
MANUAL PART NO. 3013244

FIG. ITEM	PART NUMBER	AIRLINE PART NUMBER	NOMENCLATURE	EFFECT CODE	UNITS PER ASSY
3			1234567		
280B	MS9529-08		.BOLT, MACHINE, DRD HEX FOR ENGINES BUILT TO BS622, BS624, BS877, BS954 -----*-----	A B C	2
290	3011536		.BRACKET, STARTING CONTROL SUPPORT FOR ENGINES BUILT TO BS622, BS624, BS877, BS954	A B	1
- 300	3001640		.PACKING, PREFORMED INTRCHG WITH P/N MS9388-016	A B C	1
300A	MS9388-016		.PACKING, PREFORMED INTRCHG WITH P/N AS3209-016	A B C	1
- 300B	AS3209-016		.PACKING, PREFORMED	A B C	1
			<u>NOTE 1</u> : INCLUDED IN HOT SECTION INSPECTION PARTS KIT P/N 3031407		
			<u>NOTE 2</u> : P/N 3111378 AND 3106802- 01 MUST BE FITTED IN A SET TO REPLACE P/N 3011379		
			<u>NOTE 3</u> : FITTED TO ENGINES WITH THE VACUUM PUMP DRIVE		
			<u>NOTE 4</u> : FITTED TO ENGINES WITHOUT THE VACUUM PUMP DRIVE		

- ITEM NOT ILLUSTRATED

EFF MODEL	EFF MODEL	EFF MODEL
A PT6A-27		
B PT6A-28		
C PT6A-21		

79-20-01
Figure 3
Page 10
Aug 27/2004

Oil Filter Components Group

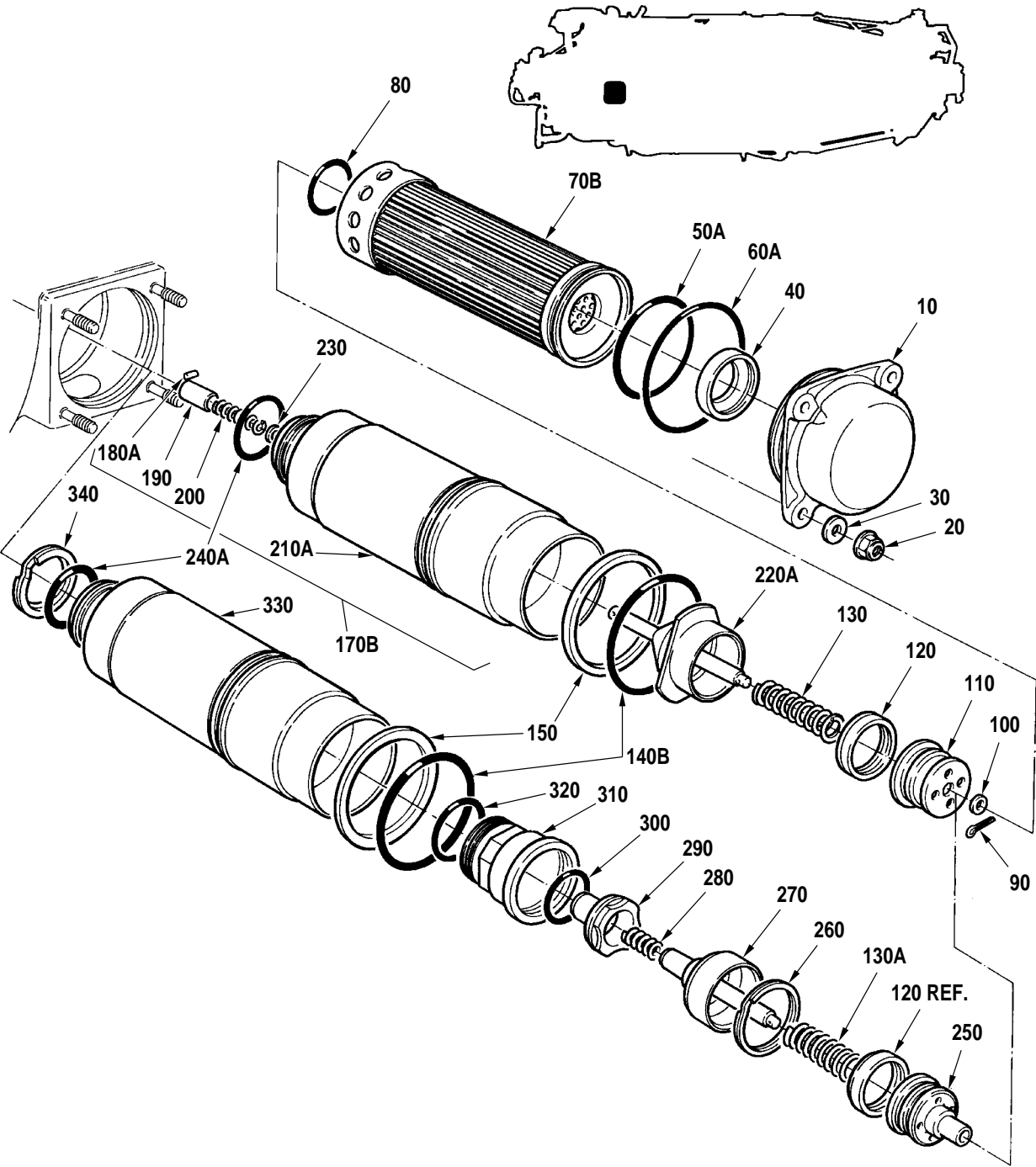
79-20-02

Figure 1

Page 1

Aug 27/2004

PRATT & WHITNEY CANADA
ILLUSTRATED PARTS CATALOG
MANUAL PART NO. 3013244



Oil Filter Components Group
 Figure 1

C52079B

79-20-02

Figure 1

Page 2

Aug 27/2004

PRATT & WHITNEY CANADA
ILLUSTRATED PARTS CATALOG
MANUAL PART NO. 3013244

FIG. ITEM	PART NUMBER	AIRLINE PART NUMBER	NOMENCLATURE	EFFECT CODE	UNITS PER ASSY
1			1234567		
- 1			OIL FILTER COMPONENTS GROUP SEE 72-00-00 FIG. 1 FOR NHA	A B C	REF
10	3013151		.COVER, OIL FILTER	A B C	1
			ATTACHING PARTS		
20	3012675		.NUT OPTION (IC) SEE TABLE FOR OPTIONAL PART NUMBERS	A B C	4
30	MS9320-09		.WASHER, FLAT	A B C	4
			-----*-----		
40	3012928		.SPACER, STEPPED	A B C	1
- 50	3010718		.PACKING, PREFORMED INTRCHG WITH P/N MS9388-224	A B C	1
50A	MS9388-224		.PACKING, PREFORMED INTRCHG WITH P/N AS3209-224	A B C	1
- 50B	AS3209-224		.PACKING, PREFORMED	A B C	1
- 60	3005607		.PACKING, PREFORMED INTRCHG WITH P/N MS9388-143	A B C	1
60A	MS9388-143		.PACKING, PREFORMED INTRCHG WITH P/N AS3209-143	A B C	1
- 60B	AS3209-143		.PACKING, PREFORMED	A B C	1
- 70	3010699		.FILTER ELEMENT, OIL INTRCHG WITH P/N 3022070	A B	1
- 70A	3022070		.FILTER ELEMENT OPTION (IC) POST-SB1118 INTRCHG WITH P/N 3024084 (IC) CONSISTS OF:	A B	1
	3017383		..FILTER ELEMENT, OIL, CLEANABLE		AR
	3020967		..FILTER ELEMENT, OIL, CLEANABLE		AR
CONTINUED					

- ITEM NOT ILLUSTRATED

EFF MODEL A PT6A-27 B PT6A-28 C PT6A-21	EFF MODEL	EFF MODEL
--	-----------	-----------

79-20-02
Figure 1
Page 3
Aug 27/2004

PRATT & WHITNEY CANADA
ILLUSTRATED PARTS CATALOG
MANUAL PART NO. 3013244

FIG. ITEM	PART NUMBER	AIRLINE PART NUMBER	NOMENCLATURE	EFFECT CODE	UNITS PER ASSY
			1234567		
1	3022069		..FILTER ELEMENT, OIL, CLEANABLE		AR
70B	3024084		.FILTER, ELEMENT, OIL POST-SB1215 INTRCHG WITH P/N 3033315	A B C	1
- 70C	3033315		.FILTER ELEMENT OPTION (IC) (IC) CONSISTS OF:	A B C	1
	3024084		..FILTER ELEMENT, OIL		AR
	3033310		..FILTER ELEMENT, OIL		AR
	3034393		..FILTER ELEMENT, OIL		AR
- 70D	3028419		.FILTER, ELEMENT, OIL POST-SB1282 SEE NOTE 1	A B C	1
- 70E	3034293		.FILTER ELEMENT OPTION (IC) PRE-PT6A SPB NO.68 TWO-WAY INTRCHG WITH P/N 3028419 (IC) CONSISTS OF:	A B C	1
	3028419		..FILTER ELEMENT, OIL		AR
	3034292		..FILTER ELEMENT, OIL		AR
- 70F	3028419		.FILTER ELEMENT, OIL POST-PT6A SPB NO.68	A B C	1
80	MS9388-120		.PACKING, PREFORMED USE WITH P/N 3022070 AND 3024084 POST-SB1118 INTRCHG WITH P/N AS3209-120	A B C	1
- 80A	AS3209-120		.PACKING, PREFORMED USE WITH P/N 3022070 AND 3024084	A B C	1
90	MS9245-23		.PIN, COTTER	A B C	1
100	3001564		.WASHER, PLAIN	A B C	1
110	3010105		.PISTON, OIL FILTER CHECK VALVE PRE-SB1247	A B C	1
120	3010104		.PACKING, PREFORMED	A B C	1

CONTINUED

- ITEM NOT ILLUSTRATED

EFF MODEL	EFF MODEL	EFF MODEL
A PT6A-27		
B PT6A-28		
C PT6A-21		

79-20-02

Figure 1

Page 4

Aug 27/2004

PRATT & WHITNEY CANADA
ILLUSTRATED PARTS CATALOG
MANUAL PART NO. 3013244

FIG. ITEM	PART NUMBER	AIRLINE PART NUMBER	NOMENCLATURE	EFFECT CODE	UNITS PER ASSY
1			1234567		
130	3010867		.SPRING, HELICAL COMPRESSION, BY-PASS VALVE PRE-SB1247 NONINTR WITH P/N 3024565	A B C	1
130A	3024565		.SPRING, HELICAL COMPRESSION, BY-PASS VALVE POST-SB1247	A B C	1
- 140	3002431		.PACKING, PREFORMED INTRCHG WITH P/N MS9388-035	A B	1
- 140A	MS9388-035		.PACKING, PREFORMED USE WITH P/N 3010098 PRE-SB1127	A B	1
140B	MS9388-139		.PACKING, PREFORMED USE WITH P/N 3018127 POST-SB1127	A B C	1
- 140C	AS3209-139		.PACKING, PREFORMED	A B C	1
150	3019136		.RING, PLASTIC USE WITH P/N 3018127 POST-SB1127	A B C	1
- 160	3010109		.RETAINER, PACKING USE WITH P/N 3010098 PRE-SB1127	A B C	1
- 170	3010099		.HOUSING AND VALVE ASSEMBLY, OIL FILTER PRE-SB1224 PRE-SB1127 NONINTR WITH P/N 3018128	A B	1
- 170A	3018128		.HOUSING AND VALVE ASSEMBLY, OIL FILTER PRE-SB1224 PRE-SB1247 NONINTR WITH P/N 3023348	A B	1
170B	3023348		.HOUSING AND VALVE ASSEMBLY, OIL FILTER POST-SB1224 PRE-SB1247	A B C	1
- 180	AN122676		.PIN, DOWEL USE WITH P/N 3010099 AND 3018128 PRE-SB1224 PRE-SB1247 NONINTR WITH P/N 3024866	A B	1

CONTINUED

- ITEM NOT ILLUSTRATED

EFF MODEL A PT6A-27 B PT6A-28 C PT6A-21	EFF MODEL	EFF MODEL
--	-----------	-----------

79-20-02
Figure 1
Page 5
Aug 27/2004

PRATT & WHITNEY CANADA
ILLUSTRATED PARTS CATALOG
MANUAL PART NO. 3013244

FIG. ITEM	PART NUMBER	AIRLINE PART NUMBER	NOMENCLATURE	EFFECT CODE	UNITS PER ASSY
			1234567		
1					
180A	3024866		..PIN, STRAIGHT, HEADLESS USE WITH P/N 3023348 POST-SB1224 PRE-SB1247 NONINTR WITH P/N ST3008-010	A B C	1
- 180B	ST3008-010		..PIN, STRAIGHT, HEADLESS USE WITH P/N 3023348 POST-SB1285 PRE-SB1247	A B C	1
190	3010106		..COLLAR, FILTER CHECK VALVE PRE-SB1247 NONINTR WITH P/N 3029886	A B C	1
- 190A	3029886		..COLLAR, FILTER CHECK VALVE SPRING USE WITH P/N 3023348 POST-SB1285 PRE-SB1247	A B C	1
200	3004139		..SPRING, NON-RETURN VALVE PRE-SB1247	A B C	1
- 210	3010098		..HOUSING, OIL FILTER USE WITH P/N 3010099 PRE-SB1127 PRE-SB1224 PRE-SB1247 NONINTR WITH P/N 3018127	A B	1
210A	3018127		..HOUSING, OIL FILTER USE WITH P/N 3018128 AND 3023348 POST-SB1127 PRE-SB1247	A B C	1
- 220	3010097		.VALVE, CHECK USE WITH P/N 3010099 AND 3018128 PRE-SB1224 PRE-SB1247 NONINTR WITH P/N 3021558	A B	1
220A	3021558		.VALVE, CHECK USE WITH P/N 3023348 POST-SB1224 PRE-SB1247 INTRCHG WITH P/N 3029485	A B C	1
- 220B	3029485		.VALVE, CHECK USE WITH P/N 3023348 POST-SB1224 PRE-SB1247	A B C	1

CONTINUED

- ITEM NOT ILLUSTRATED

EFF MODEL A PT6A-27 B PT6A-28 C PT6A-21	EFF MODEL	EFF MODEL
--	-----------	-----------

79-20-02
Figure 1
Page 6
Aug 27/2004

PRATT & WHITNEY CANADA
ILLUSTRATED PARTS CATALOG
MANUAL PART NO. 3013244

FIG. ITEM	PART NUMBER	AIRLINE PART NUMBER	1234567 NOMENCLATURE	EFFECT CODE	UNITS PER ASSY
1					
230	MS9321-08		.WASHER, FLAT (REPAIR PART)	A B C	1
- 240	3004166		.PACKING, PREFORMED INTRCHG WITH P/N MS9388-024	A B C	1
240A	MS9388-024		.PACKING, PREFORMED INTRCHG WITH P/N AS3209-024	A B C	1
- 240B	AS3209-024		.PACKING, PREFORMED	A B C	1
250	3024567		.VALVE, BY-PASS POST-SB1247	A B C	1
260	3014605		.RING, RETAINING POST-SB1247 INTRCHG WITH P/N AS3215-121	A B C	1
- 260A	AS3215-121		.RING, RETAINING	A B C	1
270	3024566		.SEAT, BY-PASS VALVE POST-SB1247	A B C	1
280	3024564		.SPRING, HELICAL COMPRESSION, BY-PASS VALVE POST-SB1247	A B C	1
290	3024560		.VALVE, CHECK POST-SB1247 INTRCHG WITH P/N 3104370-01	A B C	1
- 290A	3104370-01		.VALVE, CHECK POST-SB1379	A B C	1
300	MS9388-118		.PACKING, PREFORMED POST-SB1247 INTRCHG WITH P/N AS3209-118	A B C	1
- 300A	AS3209-118		.PACKING, PREFORMED	A B C	1
310	3024559		.SEAT, CHECK VALVE POST-SB1247	A B C	1
320	MS9388-021		.PACKING, PREFORMED POST-SB1247 INTRCHG WITH P/N AS3209-021	A B C	1

CONTINUED

- ITEM NOT ILLUSTRATED

EFF MODEL A PT6A-27 B PT6A-28 C PT6A-21	EFF MODEL	EFF MODEL
--	-----------	-----------

79-20-02
Figure 1
Page 7
Aug 27/2004

PRATT & WHITNEY CANADA
ILLUSTRATED PARTS CATALOG
MANUAL PART NO. 3013244

FIG. ITEM	PART NUMBER	AIRLINE PART NUMBER	NOMENCLATURE	EFFECT CODE	UNITS PER ASSY
1			1234567		
- 320A	AS3209-021		.PACKING, PREFORMED	A B C	1
330	3024558		.HOUSING, OIL FILTER POST-SB1247	A B C	1
340	3024563		.RING, RETAINING POST-SB1247 INTRCHG WITH P/N AS3216-115	A B C	1
- 340A	AS3216-115		.RING, RETAINING	A B C	1
			<u>NOTE 1</u> : FOR USE AS AN ALTERNATE TO P/N 3024084 ON ENGINES OPERATING IN ADVERSE ENVIRONMENTS		

- ITEM NOT ILLUSTRATED

EFF MODEL	EFF MODEL	EFF MODEL
A PT6A-27		
B PT6A-28		
C PT6A-21		

79-20-02
Figure 1
Page 8
Aug 27/2004

Oil Filter Components Group - Alternate Configuration

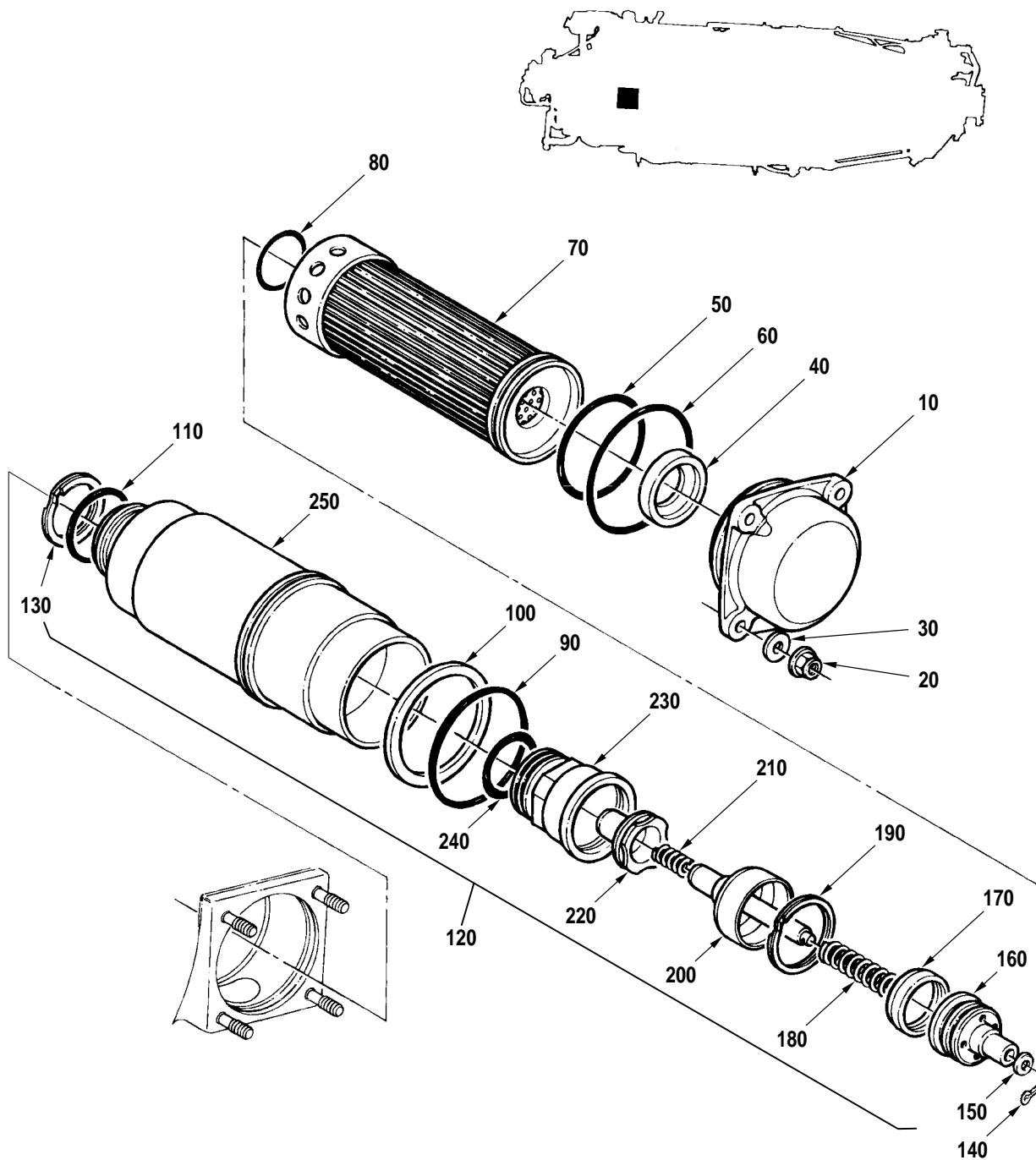
79-20-02

Figure 2

Page 1

Aug 27/2004

PRATT & WHITNEY CANADA
ILLUSTRATED PARTS CATALOG
MANUAL PART NO. 3013244



C52107

Oil Filter Components Group - Alternate Configuration
Figure 2

79-20-02

Figure 2

Page 2

Aug 27/2004

PRATT & WHITNEY CANADA
ILLUSTRATED PARTS CATALOG
MANUAL PART NO. 3013244

FIG. ITEM	PART NUMBER	AIRLINE PART NUMBER	NOMENCLATURE	EFFECT CODE	UNITS PER ASSY
2			1234567		
- 1			OIL FILTER COMPONENTS GROUP - ALTERNATE CONFIGURATION SEE 72-00-00 FIG. 1 FOR NHA	A B C	REF
10	3013151		.COVER, OIL FILTER	A B C	1
			ATTACHING PARTS		
20	3012675		.NUT OPTION (IC) SEE TABLE FOR OPTIONAL PART NUMBERS	A B C	4
30	MS9320-09		.WASHER, FLAT	A B C	4
			-----*-----		
40	3012928		.SPACER, STEPPED	A B C	1
50	AS3209-224		.PACKING, PREFORMED	A B C	1
60	AS3209-143		.PACKING, PREFORMED	A B C	1
70	3022070		.FILTER ELEMENT OPTION (IC) (IC) CONSISTS OF:	A B C	1
	3017383		..FILTER ELEMENT		AR
	3020967		..FILTER ELEMENT		AR
	3022069		..FILTER ELEMENT		AR
	3034507		..FILTER ELEMENT		AR
80	AS3209-120		.PACKING, PREFORMED	A B C	1
90	AS3209-139		.PACKING, PREFORMED	A B C	1
100	3019136		.RING, FLUOROCARBON PLASTIC	A B C	1
110	MS9388-024		.PACKING, PREFORMED	A B C	1

CONTINUED

- ITEM NOT ILLUSTRATED

EFF MODEL A PT6A-27 B PT6A-28 C PT6A-21	EFF MODEL	EFF MODEL
--	-----------	-----------

79-20-02
Figure 2
Page 3
Aug 27/2004

PRATT & WHITNEY CANADA
ILLUSTRATED PARTS CATALOG
MANUAL PART NO. 3013244

FIG. ITEM	PART NUMBER	AIRLINE PART NUMBER	NOMENCLATURE	EFFECT CODE	UNITS PER ASSY
2			1234567		
120	3112357-01		.HOUSING AND VALVE ASSEMBLY, OIL FILTER	A B C	1
130	AS3216-115		..RING, RETAINING	A B C	1
140	MS9245-23		..PIN, COTTER	A B C	1
150	3001564		..WASHER, FLAT	A B C	1
160	3024567		..VALVE, BY-PASS	A B C	1
170	3010104		..PACKING, PREFORMED	A B C	1
180	3024565		..SPRING, HELICAL	A B C	1
190	AS3215-121		..RING, RETAINING	A B C	1
200	3024566		..SEAT, BY-PASS VALVE	A B C	1
210	3024564		..SPRING, HELICAL COMPRESSION	A B C	1
220	3104370-01		..VALVE, CHECK	A B C	1
230	3024559		..SEAT, CHECK VALVE	A B C	1
240	AS3209-021		..PACKING, PREFORMED	A B C	1
250	3024558		..HOUSING, OIL FILTER	A B C	1

- ITEM NOT ILLUSTRATED

EFF MODEL	EFF MODEL	EFF MODEL
A PT6A-27		
B PT6A-28		
C PT6A-21		

79-20-02
Figure 2
Page 4
Aug 27/2004

Oil-To-Fuel Heater Check Valve Group

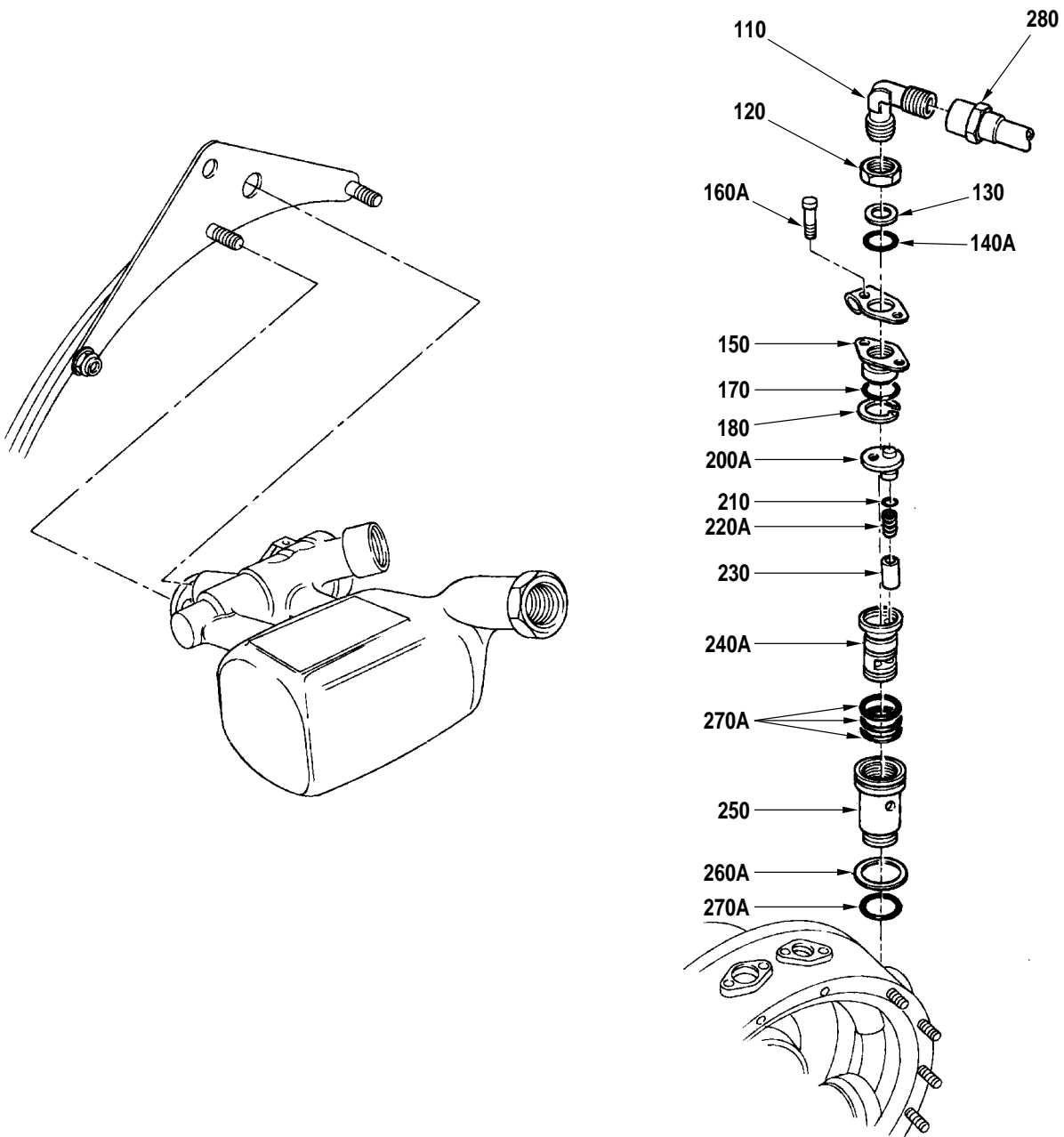
79-20-03

Figure 1

Page 1

Aug 27/2004

PRATT & WHITNEY CANADA
ILLUSTRATED PARTS CATALOG
MANUAL PART NO. 3013244



Oil-To-Fuel Heater Check Valve Group
Figure 1

C52081A

79-20-03

Figure 1

Page 2

Aug 27/2004

PRATT & WHITNEY CANADA
ILLUSTRATED PARTS CATALOG
MANUAL PART NO. 3013244

FIG. ITEM	PART NUMBER	AIRLINE PART NUMBER	1234567 NOMENCLATURE	EFFECT CODE	UNITS PER ASSY
1					
- 1			OIL-TO-FUEL HEATER CHECK VALVE GROUP SEE 72-00-00 FIG. 1 FOR NHA	A B C	REF
- 10	DELETED		TRANSFERRED TO 73-10-01		
- 20	DELETED		TRANSFERRED TO 73-10-01		
- 30	DELETED		TRANSFERRED TO 73-10-01		
- 40	DELETED		TRANSFERRED TO 73-10-01		
- 50	DELETED		TRANSFERRED TO 73-10-01		
- 60	DELETED		TRANSFERRED TO 73-10-01		
- 70	DELETED		TRANSFERRED TO 73-10-01		
- 80	DELETED		TRANSFERRED TO 73-10-01		
- 90	DELETED		TRANSFERRED TO 73-10-01		
- 100	DELETED				
110	MS9194-04		.ELBOW, ANGLE, 90-DEG	A B C	1
120	MS9100-04		.NUT, PLAIN, HEX	A B C	1
130	MS9058-04		.RING, BACK-UP	A B C	1
- 140	3007754		.PACKING, PREFORMED INTRCHG WITH P/N MS9387-04	A B C	1
140A	MS9387-04		.PACKING, PREFORMED INTRCHG WITH P/N AS3208-04	A B C	1
- 140B	AS3208-04		.PACKING, PREFORMED	A B C	2
150	3013444		.ADAPTER, TUBE TO BOSS	A B C	1
- 160	3012141		ATTACHING PARTS .BOLT, MACHINE, DRD HEX INTRCHG WITH P/N MS9529-08	A B C	2

CONTINUED

- ITEM NOT ILLUSTRATED

EFF MODEL A PT6A-27 B PT6A-28 C PT6A-21	EFF MODEL	EFF MODEL
--	-----------	-----------

79-20-03
Figure 1
Page 3
Aug 27/2004

PRATT & WHITNEY CANADA
ILLUSTRATED PARTS CATALOG
MANUAL PART NO. 3013244

FIG. ITEM	PART NUMBER	AIRLINE PART NUMBER	NOMENCLATURE	EFFECT CODE	UNITS PER ASSY
1			1234567		
160A	MS9529-08		.BOLT, MACHINE, DRD HEX	A B C	2
			-----*-----		
170	MS9388-122		.PACKING, PREFORMED INTRCHG WITH P/N AS3209-122	A B C	1
- 170A	AS3209-122		.PACKING, PREFORMED	A B C	1
180	3005697		.RING, RETAINING INTRCHG WITH P/N AS3217-113	A B C	1
- 180A	AS3217-113		.RING, RETAINING	A B C	1
- 190	3013443		.PLATE, RETAINING PRE-SB1161 (DELETED BY SB1161)	A B C	1
- 200	3013442		.SEAT, CHECK VALVE SPRING NONINTR WITH P/N 3020310	A B	1
200A	3020310		.SEAT, CHECK VALVE SPRING POST-SB1161	A B C	1
210	MS9388-010		.PACKING, PREFORMED INTRCHG WITH P/N AS3209-010	A B C	1
- 210A	AS3209-010		.PACKING, PREFORMED	A B C	1
- 220	3013436		.SPRING, HELICAL COMPRESSOR NONINTR WITH P/N 3020309	A B	1
220A	3020309		.SPRING, HELICAL COMPRESSION POST-SB1161	A B C	1
230	3013438		.VALVE, CHECK, FUEL HEATER POST-SB1093	A B C	1
- 240	3013437		.SLEEVE, FUEL HEATER CHECK VALVE NONINTR WITH P/N 3020358	A B	1
240A	3020358		.SLEEVE, FUEL HEATER CHECK VALVE POST-SB1161	A B C	1

CONTINUED

- ITEM NOT ILLUSTRATED

EFF MODEL A PT6A-27 B PT6A-28 C PT6A-21	EFF MODEL	EFF MODEL
--	-----------	-----------

79-20-03
Figure 1
Page 4
Aug 27/2004

PRATT & WHITNEY CANADA
ILLUSTRATED PARTS CATALOG
MANUAL PART NO. 3013244

FIG. ITEM	PART NUMBER	AIRLINE PART NUMBER	NOMENCLATURE	EFFECT CODE	UNITS PER ASSY
1			1234567		
250	3013440		.HOUSING, FUEL HEATER CHECK VALVE	A B C	1
- 260	3001652		.PACKING, PREFORMED INTRCHG WITH P/N MS9388-028	A B C	1
260A	MS9388-028		.PACKING, PREFORMED INTRCHG WITH P/N AS3209-028	A B C	1
- 260B	AS3209-028		.PACKING, PREFORMED	A B C	1
- 270	3001642		.PACKING, PREFORMED INTRCHG WITH P/N MS9388-018	A B C	4
270A	MS9388-018		.PACKING, PREFORMED INTRCHG WITH P/N AS3209-018	A B C	4
- 270B	AS3209-018		.PACKING, PREFORMED	A B C	4
280	3013446		.TUBE ASSEMBLY, OIL-TO-FUEL HEATER POST-SB1093 PRE-SB1545 ONE-WAY INTRCHG WITH P/N 3045079-01	A B C	1
- 280A	3045079-01		.TUBE ASSEMBLY, OIL-TO-FUEL HEATER POST-SB1545	A B C	1

- ITEM NOT ILLUSTRATED

EFF MODEL A PT6A-27 B PT6A-28 C PT6A-21	EFF MODEL	EFF MODEL
--	-----------	-----------

79-20-03
Figure 1
Page 5/6
Aug 27/2004

