

PRATT & WHITNEY CANADA
ILLUSTRATED PARTS CATALOG
MANUAL PART NO. 3013244

LIST OF EFFECTIVE PAGES

<u>CHAPTER SECTION</u>	<u>PAGE</u>	<u>DATE</u>
LEP	1	Aug 27/2004
	2 blank	Aug 27/2004
Contents	1	Aug 27/2004
	2 blank	Aug 27/2004
77-20-00 Figure 1	1	Aug 27/2004
	2	Aug 27/2004
	3	Aug 27/2004
	4	Aug 27/2004
	5	Aug 27/2004
	6 blank	Aug 27/2004
77-20-00 Figure 2	1	Aug 27/2004
	2	Aug 27/2004
	3	Aug 27/2004
	4	Aug 27/2004
	5	Aug 27/2004
	6	Aug 27/2004
77-20-00 Figure 3	1	Aug 27/2004
	2	Aug 27/2004
	3	Aug 27/2004
	4	Aug 27/2004
	5	Aug 27/2004
	6	Aug 27/2004

PRATT & WHITNEY CANADA
ILLUSTRATED PARTS CATALOG
MANUAL PART NO. 3013244

TABLE OF CONTENTS

<u>TITLE</u>	<u>CH/SE/SU</u>	<u>FIGURE</u>
T5 Thermocouple And Bus-Bar Installation	77-20-00	1
T5 Trim Wiring Harness Installation	77-20-00	3
T5 Wiring Harness Installation	77-20-00	2

T5 Thermocouple And Bus-Bar Installation

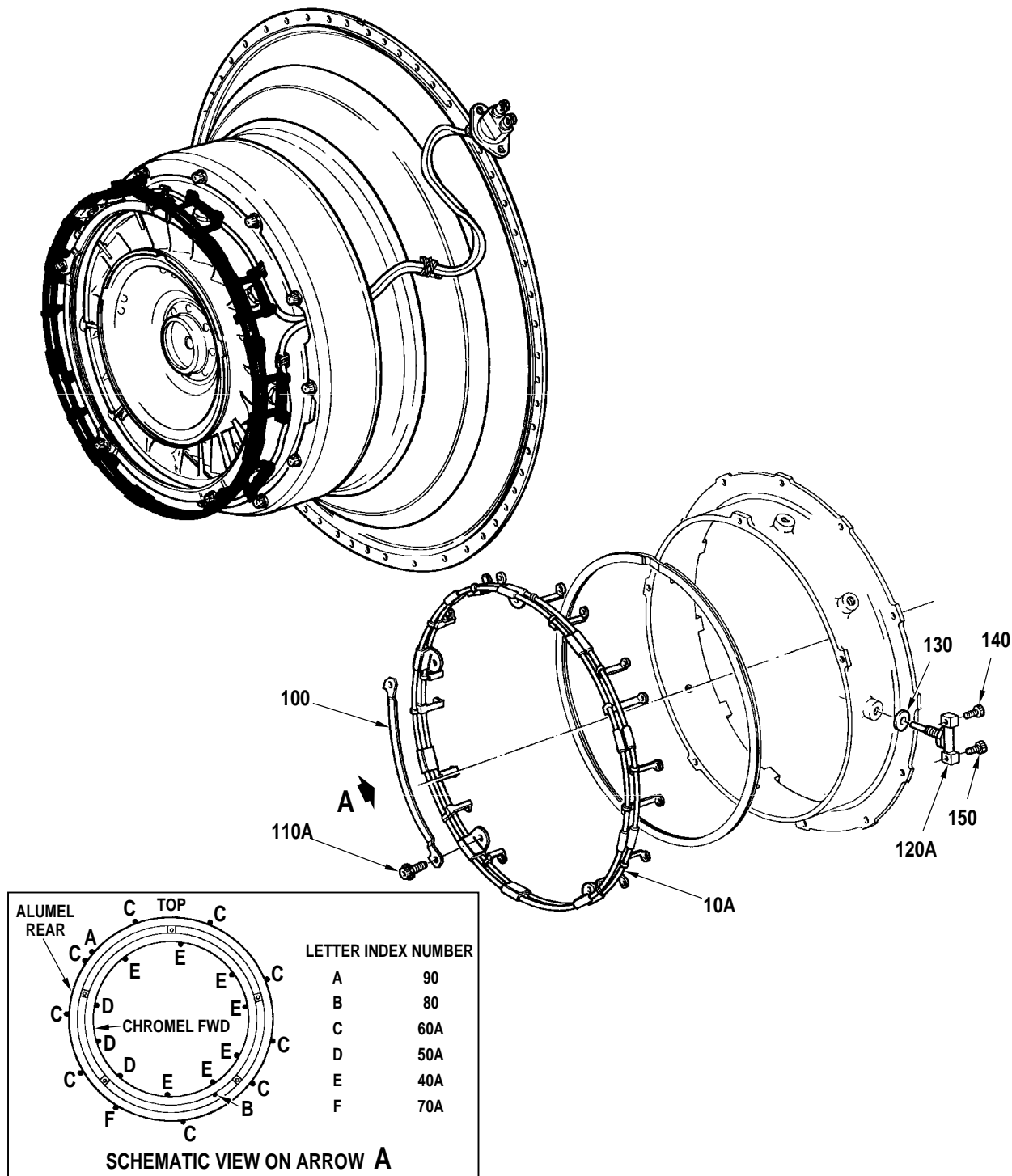
77-20-00

Figure 1

Page 1

Aug 27/2004

PRATT & WHITNEY CANADA
 ILLUSTRATED PARTS CATALOG
 MANUAL PART NO. 3013244



T5 Thermocouple And Bus-Bar Installation
 Figure 1

PRATT & WHITNEY CANADA
ILLUSTRATED PARTS CATALOG
MANUAL PART NO. 3013244

FIG. ITEM	PART NUMBER	AIRLINE PART NUMBER	NOMENCLATURE	EFFECT CODE	UNITS PER ASSY
1			1234567		
- 1			T5 THERMOCOUPLE AND BUS-BAR INSTALLATION SEE 72-00-00 FIG. 1 FOR NHA	A B C	REF
- 10	3012077		.T5 THERMOCOUPLE AND BUS-BAR ASSEMBLY NONINTR WITH P/N 3028297 SEE NOTE 1	A	1
10A	3028297		.BUS-BAR OPTION (IC) SEE NOTE 1 (IC) CONSISTS OF:	A B C	1
	3024120		..BUS-BAR, T5 THERMOCOUPLE		AR
- 10B	3027628		.BUS-BAR ASSEMBLY, THERMOCOUPLE POST-PT6A SPB NO.5 SEE NOTE 1	A B C	1
- 20	3024120		.BUS-BAR ASSEMBLY, T5 THERMOCOUPLE SEE NOTE 1	A B C	1
- 30	3027628		.BUS-BAR ASSEMBLY, T5 THERMOCOUPLE SEE NOTE 1	A B C	1
			PARTIAL BREAKDOWN FOLLOWS:		
- 40	3012072		..TERMINAL LUG, CHROMEL INTRCHG WITH P/N 3013873	A B	5
40A	3013873		..TERMINAL LUG, CHROMEL	A B C	5
- 50	3012073		..TERMINAL LUG, CHROME USE SEVEN WITH P/N 3012077 INTRCHG WITH P/N 3013872	A B	3
50A	3013872		..TERMINAL LUG, CHROMEL	A B C	3
- 60	3012076		..TERMINAL LUG, ALUMEL USE NINE WITH P/N 3012077 INTRCHG WITH P/N 3013874	A B	8
60A	3013874		..TERMINAL LUG, ALUMEL USE NINE WITH P/N 3012077	A B	8
- 70	3013531		..TERMINAL LUG, ALUMEL INTRCHG WITH P/N 3013875	A B	1
70A	3013875		..TERMINAL LUG, ALUMEL USE WITH P/N 3012077	A B	1

CONTINUED

- ITEM NOT ILLUSTRATED

EFF MODEL A PT6A-27 B PT6A-28 C PT6A-21	EFF MODEL	EFF MODEL
--	-----------	-----------

77-20-00

Figure 1

Page 3

Aug 27/2004

PRATT & WHITNEY CANADA
ILLUSTRATED PARTS CATALOG
MANUAL PART NO. 3013244

FIG. ITEM	PART NUMBER	AIRLINE PART NUMBER	NOMENCLATURE	EFFECT CODE	UNITS PER ASSY
			1234567		
1					
80	3013876		..TERMINAL, CHROMEL	A B C	1
90	3013877		..TERMINAL ASSEMBLY, ALUMEL	A B C	1
100	3017360		.PLATE, RETAINING, SEAL RING POST-SB1102	A B C	5
			ATTACHING PARTS		
- 110	MS9573-03		.SCREW, MACHINE, DRD, DOUBLE HEX NONINTR WITH P/N MS9573-04	A B	5
110A	MS9573-04		.SCREW, MACHINE, DRD, DOUBLE HEX	A B C	5
			-----*-----		
- 115	ST3331-02		.BOLT, MACHINE, DOUBLE HEX PRE-SB1518 TWO-WAY INTRCHG WITH P/N ST3386-02	A B C	9
- 115A	ST3386-02		.BOLT, MACHINE, DOUBLE HEX POST-SB1518	A B C	9
- 120	3012075		.THERMOCOUPLE, IMMERSION, T5 USE TEN WITH P/N 3012077 INTRCHG WITH P/N 3022984	A B C	8
120A	3022984		.THERMOCOUPLE OPTION (IC) (IC) CONSISTS OF:	A B C	8
	3020134		..THERMOCOUPLE, IMMERSION T5		AR
	3022983		..THERMOCOUPLE, IMMERSION T5		AR
	3034389		..THERMOCOUPLE, IMMERSION T5		AR
130	3010671		.WASHER, PLAIN USE TEN WITH P/N 3012077	A B C	8
140	3010657		.SCREW, CAP, SOCKET HD USE TEN WITH P/N 3012077 PRE-SB1503 TWO-WAY INTRCHG WITH P/N ST3330-02	A B C	8

CONTINUED

- ITEM NOT ILLUSTRATED

EFF MODEL A PT6A-27 B PT6A-28 C PT6A-21	EFF MODEL	EFF MODEL
--	-----------	-----------

77-20-00
Figure 1
Page 4
Aug 27/2004

PRATT & WHITNEY CANADA
ILLUSTRATED PARTS CATALOG
MANUAL PART NO. 3013244

FIG. ITEM	PART NUMBER	AIRLINE PART NUMBER	NOMENCLATURE	EFFECT CODE	UNITS PER ASSY
1			1234567		
- 140A	ST3330-02		.BOLT, MACHINE, DOUBLE HEX, 0.250 POST-SB1503 PRE-SB1518 TWO-WAY INTRCHG WITH P/N ST3385-02	A C	8
- 140B	ST3385-02		.BOLT, MACHINE, DOUBLE HEX, 0.250 POST-SB1518	A B C	8
150	3010658		.SCREW, CAP, SOCKET HD USE TEN WITH P/N 3012077 PRE-SB1503 TWO-WAY INTRCHG WITH P/N ST3331-02	A B C	8
- 150A	ST3331-02		.BOLT, MACHINE, DOUBLE HEX, 0.250 POST-SB1503 PRE-SB1518	A C	8
- 150B	ST3386-02		.BOLT, MACHINE 0.250, DBL HEX POST-SB1518	A B C	8
			<u>NOTE 1:</u> FOR ADDITIONAL INFORMATION REFER TO P&WC ENGINE OVERHAUL MANUAL P/N 3013243		

- ITEM NOT ILLUSTRATED

EFF MODEL	EFF MODEL	EFF MODEL
A PT6A-27		
B PT6A-28		
C PT6A-21		

77-20-00
Figure 1
Page 5/6
Aug 27/2004

T5 Wiring Harness Installation

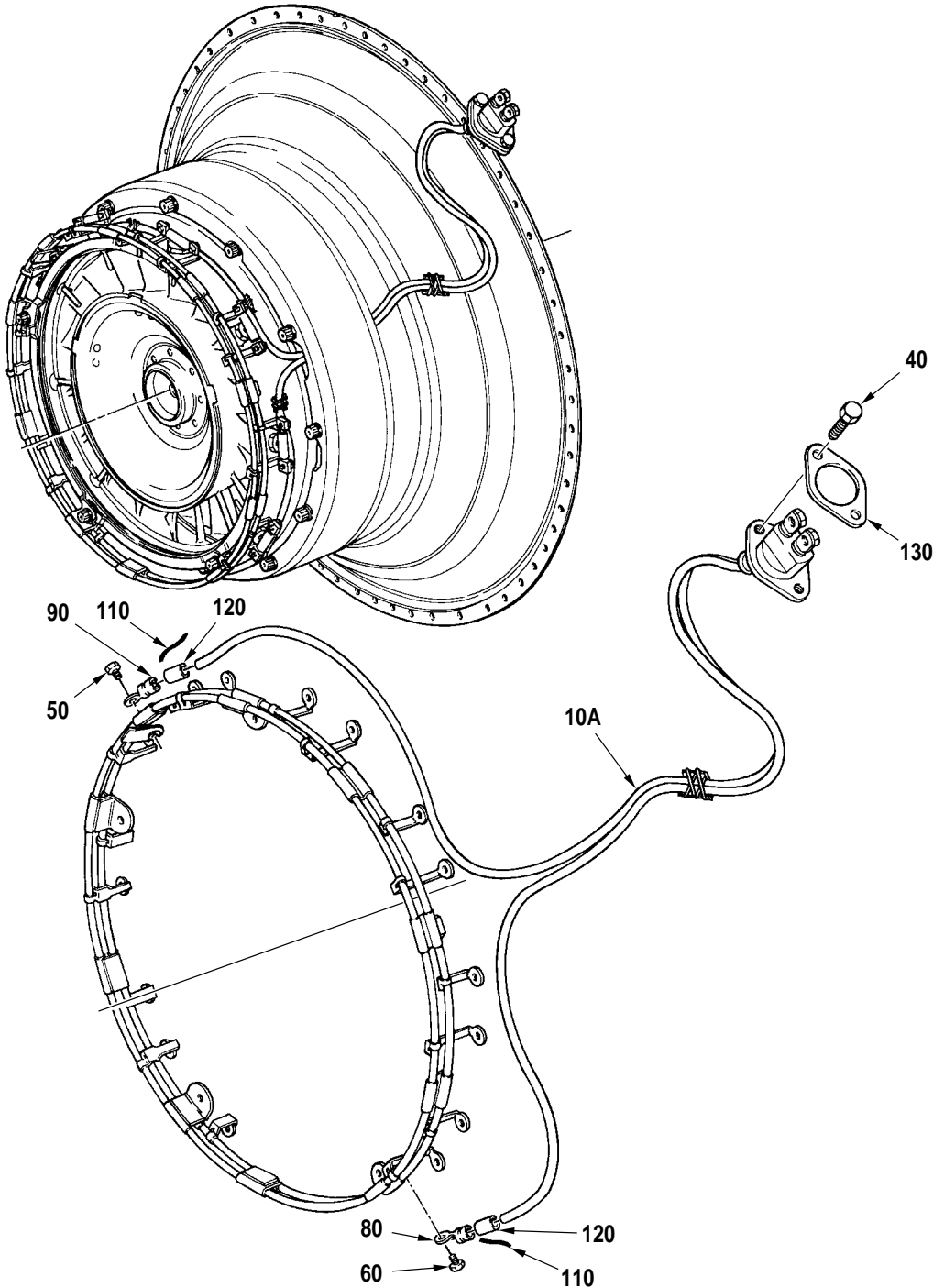
77-20-00

Figure 2

Page 1

Aug 27/2004

PRATT & WHITNEY CANADA
ILLUSTRATED PARTS CATALOG
MANUAL PART NO. 3013244



T5 Wiring Harness Installation
Figure 2

C52073A

77-20-00

Figure 2

Page 2

Aug 27/2004

PRATT & WHITNEY CANADA
ILLUSTRATED PARTS CATALOG
MANUAL PART NO. 3013244

FIG. ITEM	PART NUMBER	AIRLINE PART NUMBER	NOMENCLATURE	EFFECT CODE	UNITS PER ASSY
2			1234567		
- 1			T5 WIRING HARNESS INSTALLATION SEE 72-00-00 FIG. 1 FOR NHA	A B C	REF
- 10	3012074		.WIRING HARNESS, T5 THERMOCOUPLE SEE NOTE 1 INTRCHG WITH P/N 3028604	A	1
10A	3028604		.WIRING HARNESS OPTION (IC) SEE NOTE 1 PRE-SB1457 NONINTR WITH P/N 3038545 (IC) CONSISTS OF:	A B C	1
	3019383		..WIRING HARNESS, T5 THEMOCUPLE		AR
	3028289		..WIRING HARNESS, T5 THEMOCUPLE		AR
- 10B	3038545		.WIRING HARNESS OPTION (IC) SEE NOTE 1 POST-SB1457 PRE-SB1479 TWO-WAY INTRCHG WITH P/N 3040110	A B C	1
	3037341		..WIRING HARNESS, T5 THEMOCUPLE		AR
	3037342		..WIRING HARNESS, T5 THEMOCUPLE		AR
- 10C	3040110		.WIRING HARNESS OPTION (IC) SEE NOTE 1 POST-SB1479 (IC) CONSISTS OF:	A B C	1
	3117923-01		..WIRING HARNESS, T5 THEMOCUPLE		AR
	3117924-01		..WIRING HARNESS, T5 THEMOCUPLE		AR
- 20	3019383		.WIRING HARNESS ASSEMBLY, T5 THERMOCOUPLE SEE NOTE 1 PRE-SB1457 NONINTR WITH P/N 3037341	A B C	REF
- 20A	3037341		.WIRING HARNESS ASSEMBLY, T5 THERMOCOUPLE SEE NOTE 1 POST-SB1457 PRE-SB1479	A B C	REF
- 20B	3117924-01		.WIRING HARNESS, T5 THERMOCOUPLE POST-SB1479	A B C	NP

CONTINUED

- ITEM NOT ILLUSTRATED

EFF MODEL A PT6A-27 B PT6A-28 C PT6A-21	EFF MODEL	EFF MODEL
--	-----------	-----------

77-20-00
Figure 2
Page 3
Aug 27/2004

PRATT & WHITNEY CANADA
ILLUSTRATED PARTS CATALOG
MANUAL PART NO. 3013244

FIG. ITEM	PART NUMBER	AIRLINE PART NUMBER	NOMENCLATURE	EFFECT CODE	UNITS PER ASSY
			1234567		
2					
- 30	3028289		.WIRING HARNESS ASSEMBLY, T5 THERMOCOUPLE SEE NOTE 1 PRE-SB1457 NONINTR WITH P/N 3037342	A B C	REF
- 30A	3037342		.WIRING HARNESS ASSEMBLY, T5 THERMOCOUPLE SEE NOTE 1 POST-SB1457 PRE-SB1479	A B C	REF
- 30B	3117923-01		.WIRING HARNESS, T5 THERMOCOUPLE POST-SB1479	A B C	NP
			ATTACHING PARTS		
40	MS9565-06		.BOLT, MACHINE, DOUBLE HEX PRE-SB1457	A B C	2
50	3010657		.SCREW, CAP, SOCKET HEAD PRE-SB1503 TWO-WAY INTRCHG WITH P/N ST3330-02	A B C	1
- 50A	ST3330-02		.BOLT, MACHINE, DOUBLE HEX POST-SB1503 PRE-SB1518 TWO-WAY INTRCHG WITH P/N ST3385-02	A B C	1
- 50B	ST3385-02		.BOLT, MACHINE, DOUBLE HEX POST-SB1518	A B C	1
60	3010658		.SCREW, CAP, SOCKET HEAD PRE-SB1503 TWO-WAY INTRCHG WITH P/N ST3331-02	A B C	1
- 60A	ST3331-02		.BOLT, MACHINE, DOUBLE HEX POST-SB1503 PRE-SB1518	A B C	1
- 60B	ST3386-02		.BOLT, MACHINE, DOUBLE HEX	A B C	1
			-----*-----		
			PARTIAL BREAKDOWN FOLLOWS:		
- 70	3014691		..TERMINAL LUG, CHROMEL COMPONENT OF P/N 3012074	A B	1

CONTINUED

- ITEM NOT ILLUSTRATED

EFF MODEL A PT6A-27 B PT6A-28 C PT6A-21	EFF MODEL	EFF MODEL
--	-----------	-----------

77-20-00
Figure 2
Page 4
Aug 27/2004

PRATT & WHITNEY CANADA
ILLUSTRATED PARTS CATALOG
MANUAL PART NO. 3013244

FIG. ITEM	PART NUMBER	AIRLINE PART NUMBER	NOMENCLATURE	EFFECT CODE	UNITS PER ASSY
2			1234567		
80	3019943		..TERMINAL LUG, CHROMEL, (REPAIR PART ONLY) PRE-SB1457 PRE-PT6A SPB NO.67 TWO-WAY INTRCHG WITH P/N ST3737-01	A B C	1
- 80A	ST3737-01		..TERMINAL LUG, POSITIVE, TYPE K (REPAIR PART ONLY) POST-PT6A SPB NO.67	A B C	1
90	3019942		..TERMINAL LUG, ALUMEL COMPONENT OF P/N 3019383 PRE-SB1457	A B C	1
- 100	3014692		..TERMINAL LUG, ALUMEL COMPONENT OF P/N 3012074 PRE-SB1457	A B C	1
110	3014693		..TAPE, INSULATING PRE-SB1457	A B C	AR
120	3014694		..SLEEVE, CHAFING PRE-SB1457	A B C	AR
130	3007035		.GASKET, T5 HARNESS TO CASE SEE NOTE 2 PRE-SB1489 TWO-WAY INTRCHG WITH P/N 3116986-01	A B C	1
- 130A	3116986-01		.GASKET, TWO-HOLE, 0.930 ID SEE NOTE 3 POST-SB1489 PRE-SB1488 TWO-WAY INTRCHG WITH P/N 3118962-01	A B C	1
- 130B	3118962-01		.GASKET, TWO-HOLE, 0.930 ID SEE NOTE 4 POST-SB1488	A B C	1
- 140	3100462-03		KITS, REPAIR/SERVICE PARTS TUBE, HEAT SHRINKABLE (REPAIR PART) INTRCHG WITH P/N ST3130-07	A B C	AR
- 140A	ST3130-07		SLEEVE, HEAT SHRINKABLE (REPAIR PART)	A B C	AR

CONTINUED

- ITEM NOT ILLUSTRATED

EFF MODEL A PT6A-27 B PT6A-28 C PT6A-21	EFF MODEL	EFF MODEL
--	-----------	-----------

77-20-00
Figure 2
Page 5
Aug 27/2004

PRATT & WHITNEY CANADA
ILLUSTRATED PARTS CATALOG
MANUAL PART NO. 3013244

FIG. ITEM	PART NUMBER	AIRLINE PART NUMBER	NOMENCLATURE	EFFECT CODE	UNITS PER ASSY
2			1234567		
- 150	3031407		PARTS KIT, HOT SECTION INSPECTION PRE-SB1489 TWO-WAY INTRCHG WITH P/N 3040093	A B C	AR
- 150A	3040093		PARTS KIT, HOT SECTION INSPECTION POST-SB1489 PRE-SB1488 TWO-WAY INTRCHG WITH P/N 3041153	A B C	AR
- 150B	3041153		PARTS KIT, HOT SECTION INSPECTION POST-SB1488 <u>NOTE 1:</u> FOR ADDITIONAL INFORMATION REFER TO P&WC ENGINE OVERHAUL MANUAL P/N 3013244 <u>NOTE 2:</u> INCLUDED IN HOT SECTION INSPECTION PARTS KIT P/N 3031407 <u>NOTE 3:</u> INCLUDED IN HOT SECTION INSPECTION PARTS KIT P/N 3040093 <u>NOTE 4:</u> INCLUDED IN HOT SECTION INSPECTION PARTS KIT P/N 3041153	A B C	AR

- ITEM NOT ILLUSTRATED

EFF MODEL	EFF MODEL	EFF MODEL
A PT6A-27		
B PT6A-28		
C PT6A-21		

77-20-00

Figure 2

Page 6

Aug 27/2004

T5 Trim Wiring Harness Installation

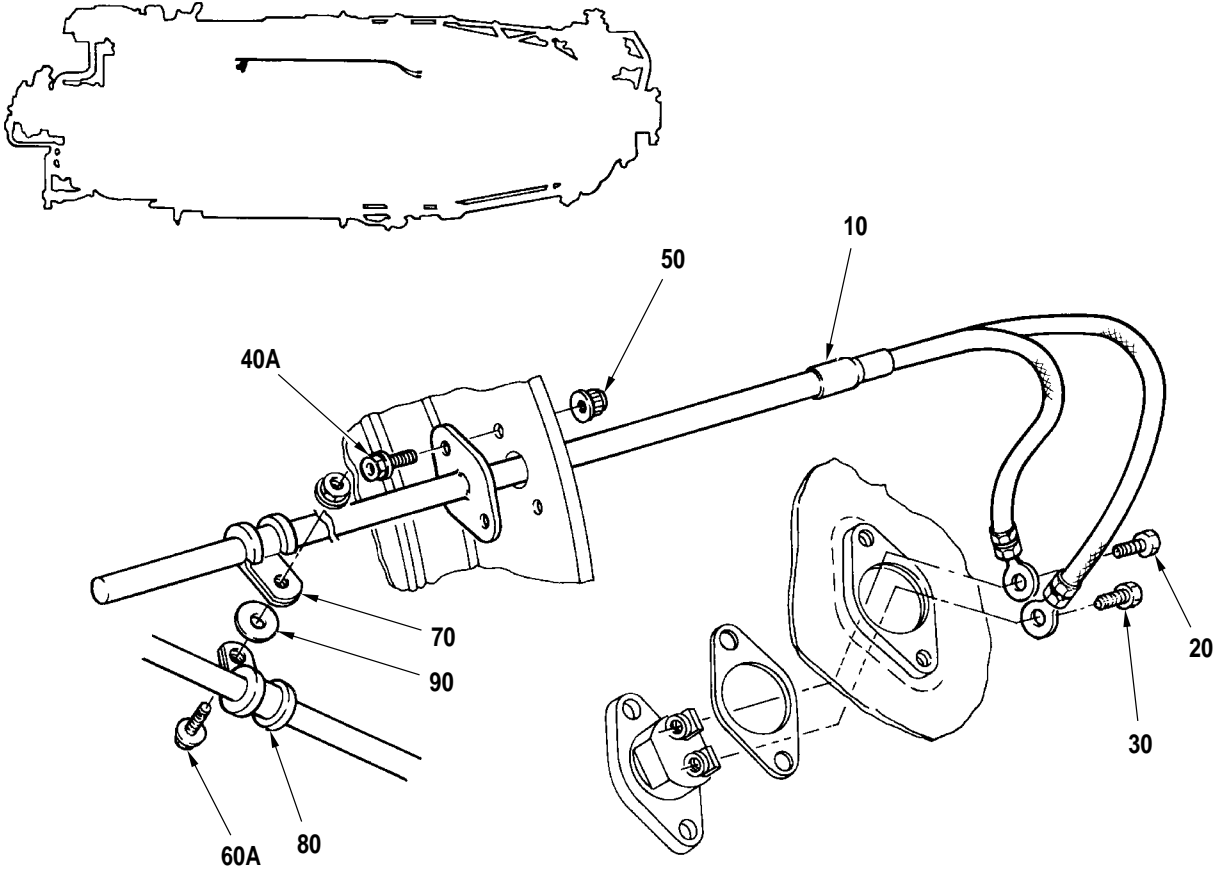
77-20-00

Figure 3

Page 1

Aug 27/2004

PRATT & WHITNEY CANADA
ILLUSTRATED PARTS CATALOG
MANUAL PART NO. 3013244



T5 Trim Wiring Harness Installation
Figure 3

PRATT & WHITNEY CANADA
ILLUSTRATED PARTS CATALOG
MANUAL PART NO. 3013244

FIG. ITEM	PART NUMBER	AIRLINE PART NUMBER	NOMENCLATURE	EFFECT CODE	UNITS PER ASSY
			1234567		
3					
- 1			T5 TRIM WIRING HARNESS INSTALLATION SEE 72-00-00 FIG. 1 FOR NHA	A B C	REF
10	3013604CL		.WIRING HARNESS, T5 TRIM, NOMINAL RESISTANCE AT 70-DEG. F (SELECT CLASS AS REQUIRED) INTRCHG WITH P/N 3031417CL SEE NOTE 1	A B C	1
	3013604CL1		..HARNESS, 9 OHM INTRCHG WITH P/N 3031417CL25		AR
	3013604CL2		..HARNESS, 10.5 OHM INTRCHG WITH P/N 3031417CL30		AR
	3013604CL3		..HARNESS, 12.0 OHM INTRCHG WITH P/N 3031417CL35		AR
	3013604CL5		..HARNESS, 14.0 OHM INTRCHG WITH P/N 3031417CL40		AR
	3013604CL7		..HARNESS, 16.0 OHM INTRCHG WITH P/N 3031417CL45		AR
	3013604CL10		..HARNESS, 19.0 OHM INTRCHG WITH P/N 3031417CL50		AR
	3013604CL20		..HARNESS, 24.0 OHM INTRCHG WITH P/N 3031417CL55		AR
	3013604CL30		..HARNESS, 30.0 OHM INTRCHG WITH P/N 3031417CL60		AR
	3013604CL40		..HARNESS, 43.0 OHM		AR
	3013604CL50		..HARNESS, 72.0 OHM INTRCHG WITH P/N 3031417CL70		AR
	3013604CL60		..WIRING HARNESS 110.0 OHM INTRCHG WITH P/N 3031417CL75		AR
- 10A	3031417CL		.WIRING HARNESS, T5 TRIM, NOMINAL RESISTANCE AT 70-DEG. F (SELECT CLASS AS REQUIRED)	A B C	1
	3031417CL10		..HARNESS, 3.75 - 3.95 OHM		AR
	3031417CL11		..HARNESS, 3.95 - 4.20 OHM		AR
	3031417CL12		..HARNESS, 4.20 - 4.45 OHM		AR
	3031417CL13		..HARNESS, 4.45 - 4.75 OHM		AR
	3031417CL14		..HARNESS, 4.75 - 5.10 OHM		AR
	3031417CL15		..HARNESS, 5.10 - 5.50 OHM		AR
	3031417CL16		..HARNESS, 5.50 - 5.90 OHM		AR
	3031417CL17		..HARNESS, 5.90 - 6.40 OHM		AR

CONTINUED

- ITEM NOT ILLUSTRATED

EFF MODEL	EFF MODEL	EFF MODEL
A PT6A-27		
B PT6A-28		
C PT6A-21		

77-20-00
Figure 3
Page 3
Aug 27/2004

PRATT & WHITNEY CANADA
ILLUSTRATED PARTS CATALOG
MANUAL PART NO. 3013244

FIG. ITEM	PART NUMBER	AIRLINE PART NUMBER	NOMENCLATURE	EFFECT CODE	UNITS PER ASSY
			1234567		
3	3031417CL18		..HARNESS, 6.40 - 6.90 OHM		AR
	3031417CL19		..HARNESS, 6.90 - 7.60 OHM		AR
	3031417CL20		..HARNESS, 8.0 OHM		AR
	3031417CL25		..HARNESS, 9.0 OHM		AR
	3031417CL30		..HARNESS, 10.5 OHM		AR
	3031417CL35		..HARNESS, 12.0 OHM		AR
	3031417CL40		..HARNESS, 14.0 OHM		AR
	3031417CL45		..HARNESS, 16.0 OHM		AR
	3031417CL50		..HARNESS, 19.0 OHM		AR
	3031417CL55		..HARNESS, 24.0 OHM		AR
	3031417CL60		..HARNESS, 30.0 OHM		AR
	3031417CL65		..HARNESS, 43.0 OHM		AR
	3031417CL70		..HARNESS, 72.0 OHM		AR
	3031417CL75		..HARNESS, 110.0 OHM		AR
			ATTACHING PARTS		
20	MS9556-04		.BOLT, MACHINE, DBL HEX PRE-SB1359 INTRCHG WITH P/N MS9556-06	A B C	1
- 20A	MS9556-06		.BOLT, MACHINE, DBL HEX POST-SB1359 PRE-SB1457R1	A B C	1
- 25	3009922		.NUT, SELF-LOCKING, HEX 0.164-32J X 0.234 POST-SB1457	A B C	1
30	3013275		.BOLT, MACHINE, DBL HEX PRE-SB1359 INTRCHG WITH P/N ST3062-06	A B C	1
- 30A	ST3062-06		.BOLT, MACHINE, DBL HEX POST-SB1359 PRE-SB1457R1	A B C	1
- 35	3009921		.NUT, SELF-LOCKING, HEX 0.190-32J X 0.250 POST-SB1457	A B C	1
- 40	3012358		.BOLT, MACHINE, HEX INTRCHG WITH P/N MS9518-06	A B C	1
40A	MS9518-06		.BOLT, MACHINE, HEX PARTS OF TRIM HARNESS AT CENTER FIRESEAL MOUNT RING SEE 72-30-01 FIG. 1 FOR BREAKDOWN	A B C	1

CONTINUED

- ITEM NOT ILLUSTRATED

EFF MODEL	EFF MODEL	EFF MODEL
A PT6A-27		
B PT6A-28		
C PT6A-21		

77-20-00
Figure 3
Page 4
Aug 27/2004

PRATT & WHITNEY CANADA
ILLUSTRATED PARTS CATALOG
MANUAL PART NO. 3013244

FIG. ITEM	PART NUMBER	AIRLINE PART NUMBER	1234567 NOMENCLATURE	EFFECT CODE	UNITS PER ASSY
3					
50	3012675		.NUT OPTION (IC) SEE TABLE FOR OPTIONAL PART NUMBERS	A B C	2
- 60	3012216		.BOLT, MACHINE, HEX INTRCHG WITH P/N MS9518-08	A B C	1
60A	MS9518-08		.BOLT, MACHINE, HEX SEE 73-20-00 FIG. 1 FOR BREAKDOWN	A B C	1
			-----*-----		
70	3003887		.CLAMP ASSEMBLY, LOOP NONINTR WITH P/N 3030367	A B C	1
- 70A	3030367		.CLAMP, LOOP REFER TO PARTS SUBSTITUTION LIST IN INTRODUCTION	A B C	1
- 75	ST3023-03		.GROMMET, RUBBER, GROOVE	A B C	1
80	3004359		.CLAMP ASSEMBLY, LOOP, CUSHION REVERSING LINKAGE PRE-PT6A SPB NO.10 TWO-WAY INTRCHG WITH P/N ST2231-04	A B C	1
- 80A	ST2231-04		.CLAMP ASSEMBLY, LOOP, CUSHION POST-PT6A SPB NO.10	A B C	1
90	3012533		.SPACER, FLAT	A B C	1
			KITS, REPAIR/SERVICE PARTS		
- 100	3100462-03		.TUBE, HEAT SHRINKABLE (REPAIR PART) INTRCHG WITH P/N ST3130-07	A B C	AR
- 100A	ST3130-07		.SLEEVE, HEAT SHRINKABLE (REPAIR PART)	A B C	AR
			<u>NOTE 1</u> : FOR ADDITIONAL INFORMATION REFER TO P&WC ENGINE OVERHAUL MANUAL P/N 3013243		
CONTINUED					

- ITEM NOT ILLUSTRATED

EFF MODEL A PT6A-27 B PT6A-28 C PT6A-21	EFF MODEL	EFF MODEL
--	-----------	-----------

77-20-00
Figure 3
Page 5
Aug 27/2004

PRATT & WHITNEY CANADA
ILLUSTRATED PARTS CATALOG
MANUAL PART NO. 3013244

FIG. ITEM	PART NUMBER	AIRLINE PART NUMBER	1234567 NOMENCLATURE	EFFECT CODE	UNITS PER ASSY
3			<p><u>NOTE 2</u>: ITEMS 20A AND 30A HAVE CHANGED FROM BOLTS TO NUTS AT ITEMS 25 AND 35 (POST-SB1457)</p>		

- ITEM NOT ILLUSTRATED

EFF MODEL	EFF MODEL	EFF MODEL
-----------	-----------	-----------

77-20-00

Figure 3

Page 6

Aug 27/2004