

PRATT & WHITNEY CANADA
ILLUSTRATED PARTS CATALOG
MANUAL PART NO. 3013244

LIST OF EFFECTIVE PAGES

<u>CHAPTER SECTION</u>	<u>PAGE</u>	<u>DATE</u>
LEP	1	Aug 27/2004
	2 blank	Aug 27/2004
Contents	1	Aug 27/2004
	2 blank	Aug 27/2004
75-30-00 Figure 1	1	Aug 27/2004
	2	Aug 27/2004
	3	Aug 27/2004
	4	Aug 27/2004
75-30-00 Figure 2	1	Aug 27/2004
	2	Aug 27/2004
	3	Aug 27/2004
	4	Aug 27/2004
	5	Aug 27/2004
	6	Aug 27/2004
75-30-00 Figure 3	1	Aug 27/2004
	2	Aug 27/2004
	3	Aug 27/2004
	4	Aug 27/2004

PRATT & WHITNEY CANADA
ILLUSTRATED PARTS CATALOG
MANUAL PART NO. 3013244

TABLE OF CONTENTS

<u>TITLE</u>	<u>CH/SE/SU</u>	<u>FIGURE</u>
Compressor Bleed Valve Installation	75-30-00	1
Valve Assembly, Compressor Bleed (PT6A-27/-28)	75-30-00	3
Valve Assembly, Compressor Bleed	75-30-00	2

Compressor Bleed Valve Installation

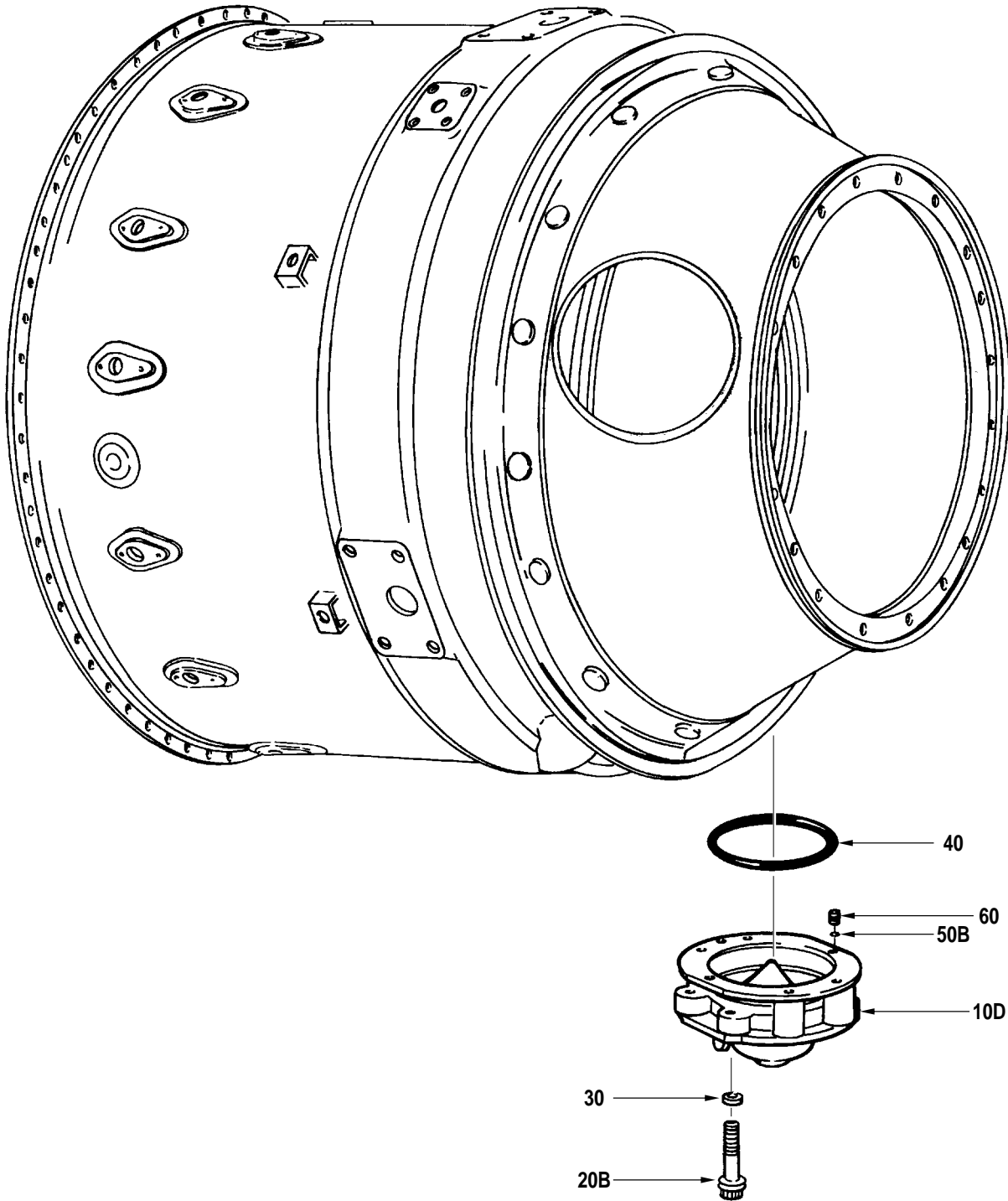
75-30-00

Figure 1

Page 1

Aug 27/2004

PRATT & WHITNEY CANADA
ILLUSTRATED PARTS CATALOG
MANUAL PART NO. 3013244



Compressor Bleed Valve Installation
Figure 1

PRATT & WHITNEY CANADA
ILLUSTRATED PARTS CATALOG
MANUAL PART NO. 3013244

FIG. ITEM	PART NUMBER	AIRLINE PART NUMBER	NOMENCLATURE	EFFECT CODE	UNITS PER ASSY
1			1234567		
- 1			COMPRESSOR BLEED VALVE INSTALLATION SEE 72-00-00 FIG. 1 FOR NHA	A B C	REF
- 10	3011765		.VALVE ASSEMBLY, COMPRESSOR BLEED SEE FIG. 3 FOR BREAKDOWN INTRCHG WITH P/N 3022095	A B	1
- 10A	3022095		.VALVE ASSEMBLY, COMPRESSOR BLEED SEE FIG. 3 FOR BREAKDOWN INTRCHG WITH P/N 3024060	A B	1
- 10B	3024060		.VALVE ASSEMBLY, COMPRESSOR BLEED SEE FIG. 3 FOR BREAKDOWN POST-SB1201 NONINTR WITH P/N 3022566	A B	1
- 10C	3022566		.VALVE ASSEMBLY, COMPRESSOR BLEED SEE FIG. 2 FOR BREAKDOWN POST-SB1209 INTRCHG WITH P/N 3029174	A B C	1
10D	3029174		.VALVE ASSEMBLY, COMPRESSOR BLEED SEE FIG. 2 FOR BREAKDOWN POST-SB1251 PRE-SB1410 INTRCHG WITH P/N 3100829-01	A B C	1
- 10E	3100829-01		.VALVE ASSEMBLY, COMPRESSOR BLEED FOR ENGINES BUILT TO BS365, BS418, BS419, BS473, BS475, BS485, BS570, BS610 SEE FIG. 2 FOR BREAKDOWN POST-SB1410 PRE-SB1370 INTRCHG WITH P/N 3100829-03	A B C	1
- 10F	3100829-03		.VALVE ASSEMBLY, COMPRESSOR BLEED SEE FIG. 2 FOR BREAKDOWN POST-SB1370	A B C	1
- 20	3012260		ATTACHING PARTS .BOLT, MACHINE, DRD HEX USE WITH P/N 3011769, 3022095 AND 3024060 INTRCHG WITH P/N MS9529-31	A B	4

CONTINUED

- ITEM NOT ILLUSTRATED

EFF MODEL A PT6A-27 B PT6A-28 C PT6A-21	EFF MODEL	EFF MODEL
--	-----------	-----------

75-30-00
Figure 1
Page 3
Aug 27/2004

PRATT & WHITNEY CANADA
ILLUSTRATED PARTS CATALOG
MANUAL PART NO. 3013244

FIG. ITEM	PART NUMBER	AIRLINE PART NUMBER	NOMENCLATURE	EFFECT CODE	UNITS PER ASSY
			1234567		
1					
- 20A	MS9529-31		.BOLT, MACHINE, DRD HEX USE WITH P/N 3011769, 3022095 AND 3024060 NONINTR WITH P/N MS9923-31	A B	4
20B	MS9923-31		.BOLT, MACHINE, DRD DBL HEX USE WITH P/N 3022566, 3029174, 3100829-01 AND 3100829-03 POST-SB1209 POST-SB1251	A B C	4
30	MS9320-09		.WASHER, FLAT	A B C	4
			-----*-----		
40	MS9388-038		.PACKING, PREFORMED USE WITH P/N 3011765, 3022095 AND 3024060 INTRCHG WITH P/N AS3209-038	A B	1
- 40A	AS3209-038		.PACKING, PREFORMED USE WITH P/N 3011765, 3022095 AND 3024060	A B C	1
- 50	3004184		.PACKING, PREFORMED INTRCHG WITH P/N 3014225 INTRCHG WITH P/N AS3209-009	A B C	1
- 50A	MS9388-009		.PACKING, PREFORMED INTRCHG WITH P/N 3014225 INTRCHG WITH P/N AS3209-009	A B C	1
50B	3014225		.PACKING, PREFORMED PRE-SB1477 TWO-WAY INTRCHG WITH P/N AS3209-009	A B C	1
- 50C	AS3209-009		.PACKING, PREFORMED POST-SB1477 PRE-PT6A SPB NO.53 TWO-WAY INTRCHG WITH P/N ST3367-009	A B C	1
- 50D	ST3367-009		.PACKING, PREFORMED 0.208 X 0.070 POST-PT6A SPB NO.53	A B C	1
60	MS171584		.PIN, SPRING USE WITH P/N 3011765, 3022095 AND 3024060 PRE-SB1209	A	1

- ITEM NOT ILLUSTRATED

EFF MODEL A PT6A-27 B PT6A-28 C PT6A-21	EFF MODEL	EFF MODEL
--	-----------	-----------

75-30-00

Figure 1

Page 4

Aug 27/2004

Valve Assembly, Compressor Bleed

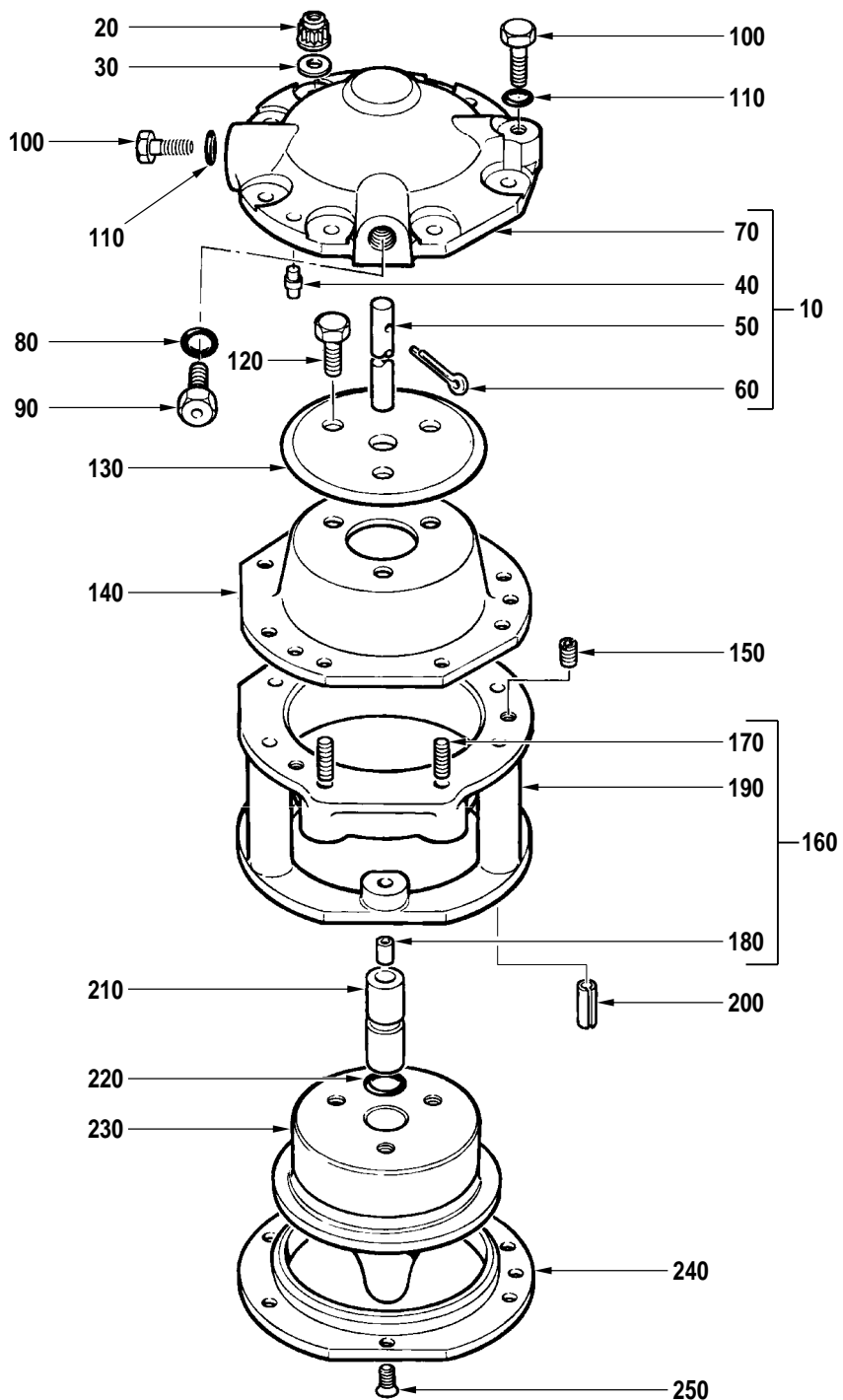
75-30-00

Figure 2

Page 1

Aug 27/2004

PRATT & WHITNEY CANADA
 ILLUSTRATED PARTS CATALOG
 MANUAL PART NO. 3013244



Valve Assembly, Compressor Bleed
 Figure 2

PRATT & WHITNEY CANADA
ILLUSTRATED PARTS CATALOG
MANUAL PART NO. 3013244

FIG. ITEM	PART NUMBER	AIRLINE PART NUMBER	1234567 NOMENCLATURE	EFFECT CODE	UNITS PER ASSY
2					
- 1	3022566		VALVE ASSEMBLY, COMPRESSOR BLEED SEE FIG. 1 FOR NHA PRE-SB1251 INTRCHG WITH P/N 3029174 SEE NOTE 1	A B C	REF
- 1A	3029174		VALVE ASSEMBLY, COMPRESSOR BLEED SEE FIG. 1 FOR NHA POST-SB1251 PRE-SB1410 INTRCHG WITH P/N 3100829-01 SEE NOTE 1	A B C	REF
- 1B	3100829-01		VALVE ASSEMBLY, COMPRESSOR BLEED FOR ENGINES BUILT TO BS365, BS418, BS419, BS473, BS475, BS485, BS570, BS610 SEE FIG. 1 FOR NHA POST-SB1410 PRE-SB1370 INTRCHG WITH P/N 3100829-03 SEE NOTE 1	A B C	REF
- 1C	3100829-03		VALVE ASSEMBLY, COMPRESSOR BLEED SEE FIG. 1 FOR NHA POST-SB1370 SEE NOTE 1	A B C	REF
10	3023416		.COVER ASSEMBLY, COMPRESSOR BLEED VALVE COMPONENT OF P/N 3022566, 3029174 AND 3100829-01	A B C	1
- 10A	3105436-01		.COVER ASSEMBLY, COMPRESSOR BLEED VALVE COMPONENT OF P/N 3100829-03 ATTACHING PARTS	A B C	1
20	3016606		.NUT OPTION (IC) SEE TABLE FOR OPTIONAL PART NUMBERS	A B C	4
30	MS9320-09		.WASHER, FLAT -----*-----	A B C	4
40	3002376		..PIN, SHOULDER, HEADLESS	A B C	2
	3002376P10		...PIN, SHOULDER, HEADLESS		AR

CONTINUED

- ITEM NOT ILLUSTRATED

EFF MODEL A PT6A-27 B PT6A-28 C PT6A-21	EFF MODEL	EFF MODEL
--	-----------	-----------

75-30-00
Figure 2
Page 3
Aug 27/2004

PRATT & WHITNEY CANADA
ILLUSTRATED PARTS CATALOG
MANUAL PART NO. 3013244

FIG. ITEM	PART NUMBER	AIRLINE PART NUMBER	NOMENCLATURE	EFFECT CODE	UNITS PER ASSY
2			1234567		
50	3023417		..SHAFT, GUIDE PIN	A B C	1
60	MS9245-30		..PIN, COTTER POST-SB1538	A B C	1
70	3021334		..COVER, COMPRESSOR BLEED VALVE COMPONENT OF P/N 3022566, 3029174 OR 3100829-01	A B C	NP
- 70A	3105435-01		..COVER, COMPRESSOR BLEED VALVE COMPONENT OF P/N 3100829-03	A B C	NP
80	MS9387-02		.PACKING, PREFORMED COMPONENT OF P/N 3022566 INTRCHG WITH P/N ST3002-02	A B C	1
- 80A	ST3002-02		.PACKING, PREFORMED INTRCHG WITH P/N AS3208-02	A B C	1
- 80B	AS3208-02		.PACKING, PREFORMED	A B C	1
90	3022094		.PLUG, METERING	A B C	1
100	MS9015-01		.PLUG, MACHINED INTRCHG WITH P/N MS9902-01	A B C	2
- 100A	MS9902-01		.PLUG, MACHINED	A B C	2
110	MS9387-01		.PACKING, PREFORMED COMPONENT OF P/N 3022566 OR 3029174 INTRCHG WITH P/N ST3002-01	A B C	2
- 110A	ST3002-01		.PACKING, PREFORMED INTRCHG WITH P/N AS3208-01	A B C	2
- 110B	AS3208-01		.PACKING, PREFORMED	A B C	2
120	MS9529-05		.BOLT, MACHINE, DRD, HEX	A B C	3

CONTINUED

- ITEM NOT ILLUSTRATED

EFF MODEL	EFF MODEL	EFF MODEL
A PT6A-27		
B PT6A-28		
C PT6A-21		

75-30-00

Figure 2

Page 4

Aug 27/2004

PRATT & WHITNEY CANADA
ILLUSTRATED PARTS CATALOG
MANUAL PART NO. 3013244

FIG. ITEM	PART NUMBER	AIRLINE PART NUMBER	1234567 NOMENCLATURE	EFFECT CODE	UNITS PER ASSY
2					
130	3023419		.RETAINER, BLEED VALVE PISTON COMPONENT OF P/N 3022566	A B C	1
- 130A	3028269		.RETAINER, BLEED VALVE PISTON COMPONENT OF P/N 3029174 OR 3100829-01	A B C	1
- 130B	3103345-01		.RETAINER, BLEED VALVE PISTON COMPONENT OF P/N 3100829-03	A B C	1
140	3021339		.DIAPHRAGM, COMPRESSOR BLEED VALVE COMPONENT OF P/N 3022566, 3029174 OR 3100829-01 INTRCHG WITH P/N 3103347-01	A B C	1
- 140A	3103347-01		.DIAPHRAGM, COMPRESSOR BLEED VALVE	A B C	1
150	3011080		.NOZZLE, COMPRESSOR BLEED VALVE INTRCHG WITH P/N ST3007-047	A B C	1
- 150A	ST3007-047		.METERING PLUG	A B C	1
160	3021333		.HOUSING ASSEMBLY, COMPRESSOR BLEED VALVE COMPONENT OF P/N 3022566	A B C	1
- 160A	3028743		.HOUSING ASSEMBLY, COMPRESSOR BLEED VALVE COMPONENT OF P/N 3029174 PRE-SB1410 POST-SB1251	A B C	1
- 160B	3029173		.HOUSING ASSEMBLY, COMPRESSOR BLEED VALVE COMPONENT OF P/N 3029174 POST-SB1251	A B C	NP
- 160C	3100828-01		.HOUSING ASSEMBLY, COMPRESSOR BLEED VALVE COMPONENT OF P/N 3100829-01 OR 3100829-03 POST-SB1410	A B C	1
170	AN154732		..STUD, STEPPED	A B C	4
	AN154733		...STUD, STEPPED		AR
	AN154734		...STUD, STEPPED		AR

CONTINUED

- ITEM NOT ILLUSTRATED

EFF MODEL A PT6A-27 B PT6A-28 C PT6A-21	EFF MODEL	EFF MODEL
--	-----------	-----------

PRATT & WHITNEY CANADA
ILLUSTRATED PARTS CATALOG
MANUAL PART NO. 3013244

FIG. ITEM	PART NUMBER	AIRLINE PART NUMBER	NOMENCLATURE	EFFECT CODE	UNITS PER ASSY
2			1234567		
180	MS122156		..INSERT, HELICAL COIL	A B C	2
190	3021332		..HOUSING, COMPRESSOR BLEED VALVE COMPONENT OF P/N 3022566	A B C	NP
- 190A	3028742		..HOUSING, COMPRESSOR BLEED VALVE COMPONENT OF P/N 3029174, 3100829-01 OR 3100829-03 POST-SB1251	A B C	NP
200	MS171584		.PIN, SPRING	A B C	1
210	3021293		.SPACER, SLEEVE	A B C	1
220	MS9388-012		.PACKING, PREFORMED INTRCHG WITH P/N ST3001-012	A B C	1
- 220A	ST3001-012		.PACKING, PREFORMED INTRCHG WITH P/N AS3209-012	A B C	1
- 220B	AS3209-012		.PACKING, PREFORMED	A B C	1
230	3021336		.PISTON, COMPRESSOR BLEED VALVE	A B C	1
240	3021338		.SEAT, COMPRESSOR BLEED VALVE PISTON	A B C	1
250	3011740		ATTACHING PARTS .SCREW, MACHINE, CTSK	A B C	2
			-----*-----		
			<u>NOTE 1</u> : FOR ADDITIONAL INFORMATION REFER TO P&WC ENGINE OVERHAUL MANUAL P/N 3013243		

- ITEM NOT ILLUSTRATED

EFF MODEL A PT6A-27 B PT6A-28 C PT6A-21	EFF MODEL	EFF MODEL
--	-----------	-----------

75-30-00
Figure 2
Page 6
Aug 27/2004

Valve Assembly, Compressor Bleed (PT6A-27/-28)

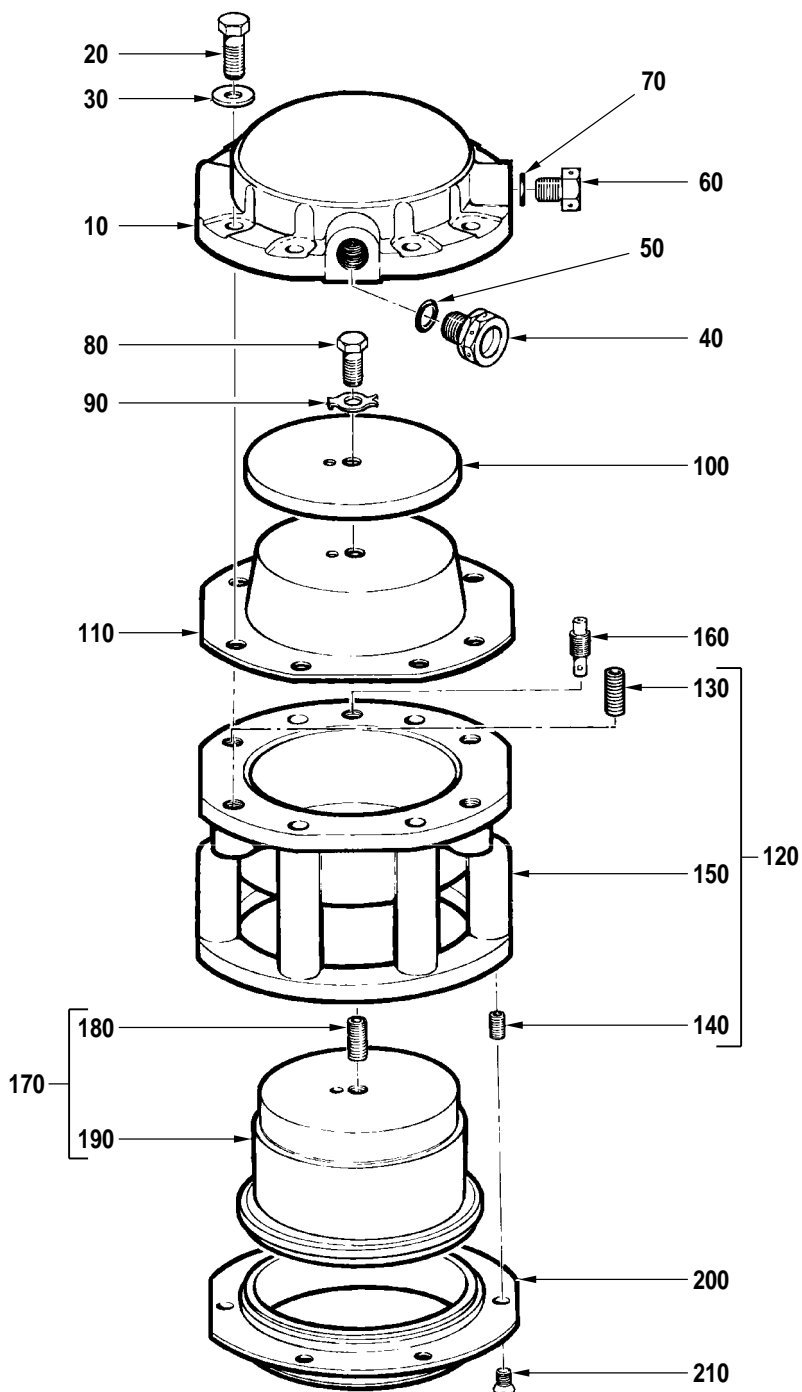
75-30-00

Figure 3

Page 1

Aug 27/2004

PRATT & WHITNEY CANADA
ILLUSTRATED PARTS CATALOG
MANUAL PART NO. 3013244



Valve Assembly, Compressor Bleed (PT6A-27/-28)
Figure 3

C52100
75-30-00
Figure 3
Page 2
Aug 27/2004

PRATT & WHITNEY CANADA
ILLUSTRATED PARTS CATALOG
MANUAL PART NO. 3013244

FIG. ITEM	PART NUMBER	AIRLINE PART NUMBER	NOMENCLATURE	EFFECT CODE	UNITS PER ASSY
3			1234567		
- 1	3011765		VALVE ASSEMBLY, COMPRESSOR BLEED SEE FIG. 1 FOR NHA INTRCHG WITH P/N 3022095 SEE NOTE 1	A B	REF
- 1A	3022095		VALVE ASSEMBLY, COMPRESSOR BLEED SEE FIG. 1 FOR NHA INTRCHG WITH P/N 3024060 SEE NOTE 1	A B	REF
- 1B	3024060		VALVE ASSEMBLY, COMPRESSOR BLEED SEE FIG. 1 FOR NHA POST-SB1201 SEE NOTE 1	A B	REF
10	3011766		.COVER, COMPRESSOR BLEED VALVE	A B	1
			ATTACHING PARTS		
20	3012274		.BOLT, MACHINE, HEX	A B	4
30	MS9320-09		.WASHER, FLAT	A B	4
			-----*-----		
40	MS9015-01		.PLUG, MACHINED	A B	1
50	MS9387-01		.PACKING, PREFORMED	A B	1
60	3011759		.METERING PLUG, FLAT COMPONENT OF P/N 3011765 INTRCHG WITH P/N 3013552	A B	NP
- 60A	3013552		.METERING PLUG, FLAT COMPONENT OF P/N 3011765	A B	1
- 60B	3022094		.METERING PLUG, FLAT COMPONENT OF P/N 3024060, 3022095 OR 3024060	A B	1
70	MS9387-02		.PACKING, PREFORMED INTRCHG WITH P/N AS3208-02	A B	1
- 70A	AS3208-02		.PACKING, PREFORMED	A B	1
80	3012259		.BOLT, MACHINE, HEX	A B	1
90	3001538		.WASHER, TAB	A B	1
100	3011768		.RETAINER, BLEED VALVE PISTON	A B	1

CONTINUED

- ITEM NOT ILLUSTRATED

EFF MODEL A PT6A-27 B PT6A-28	EFF MODEL	EFF MODEL
-------------------------------------	-----------	-----------

75-30-00
Figure 3
Page 3
Aug 27/2004

PRATT & WHITNEY CANADA
ILLUSTRATED PARTS CATALOG
MANUAL PART NO. 3013244

FIG. ITEM	PART NUMBER	AIRLINE PART NUMBER	NOMENCLATURE	EFFECT CODE	UNITS PER ASSY
3			1234567		
110	3011769		.DIAPHRAGM, COMPRESSOR BLEED VALVE	A B	1
120	3011758		.HOUSING ASSEMBLY	A B	1
			PARTIAL BREAKDOWN FOLLOWS:		
130	MS124735		..INSERT, HELICAL COIL	A B	4
140	MS122156		..INSERT, HELICAL COIL	A B	2
150	3011757		..HOUSING, COMPRESSOR BLEED VALVE	A B	NP
160	3011080		.NOZZLE, COMPRESSOR BLEED VALVE INTRCHG WITH P/N ST3007-047	A B	1
160A	ST3007-047		.PLUG, METERING	A B	1
170	3011764		.PISTON ASSEMBLY	A B	1
			PARTIAL BREAKDOWN FOLLOWS:		
180	MS124735		..INSERT, HELICAL COIL	A B	1
190	3011763		..PISTON, COMPRESSOR BLEED VALVE	A B	NP
200	3011767		.SEAT, PISTON COMPONENT OF P/N 3011765 INTRCHG WITH P/N 3013551	A B	NP
- 200A	3013551		.SEAT, PISTON	A B	1
			ATTACHING PARTS		
210	3011740		.SCREW, MACHINE, CTSK	A B	2
			-----*-----		
			NOTE 1: FOR ADDITIONAL INFORMATION REFER TO P&WC ENGINE OVERHAUL MANUAL P/N 3013243		

- ITEM NOT ILLUSTRATED

EFF MODEL A PT6A-27 B PT6A-28	EFF MODEL	EFF MODEL
-------------------------------------	-----------	-----------

75-30-00
Figure 3
Page 4
Aug 27/2004