

**PRATT & WHITNEY CANADA**  
**ILLUSTRATED PARTS CATALOG**  
**MANUAL PART NO. 3013244**

LIST OF EFFECTIVE PAGES

<u>CHAPTER SECTION</u>	<u>PAGE</u>	<u>DATE</u>
LEP	1	Aug 27/2004
	2 blank	Aug 27/2004
Contents	1	Aug 27/2004
	2 blank	Aug 27/2004
74-20-00 Figure 1	1	Aug 27/2004
	2	Aug 27/2004
	3	Aug 27/2004
	4	Aug 27/2004
	5	Aug 27/2004
	6 blank	Aug 27/2004
74-20-00 Figure 2	1	Aug 27/2004
	2	Aug 27/2004
	3	Aug 27/2004
	4	Aug 27/2004
	5	Aug 27/2004
	6	Aug 27/2004
74-20-00 Figure 3	1	Aug 27/2004
	2	Aug 27/2004
	3	Aug 27/2004
	4	Aug 27/2004



**PRATT & WHITNEY CANADA**  
**ILLUSTRATED PARTS CATALOG**  
**MANUAL PART NO. 3013244**

TABLE OF CONTENTS

<u>TITLE</u>	<u>CH/SE/SU</u>	<u>FIGURE</u>
Igniters Installation (Post-SB1196)	74-20-00	3
Ignition Cables Installation (Post-SB1196) (PT6A-21/-27)	74-20-00	2
Ignition Cables Installation (Post-SB1196) (PT6A-27/-28)	74-20-00	1



# Ignition Cables Installation (Post-SB1196) (PT6A-27/-28)

I

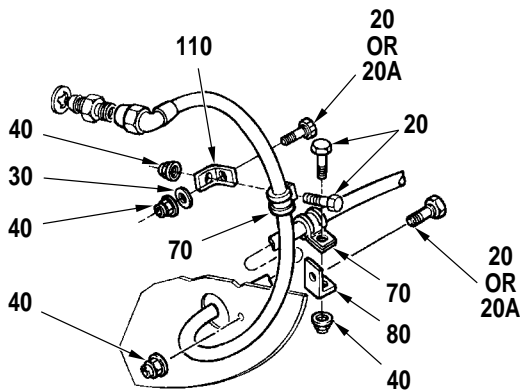
**74-20-00**

Figure 1

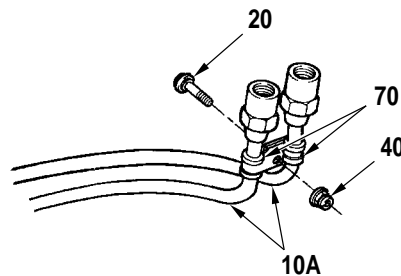
Page 1

Aug 27/2004

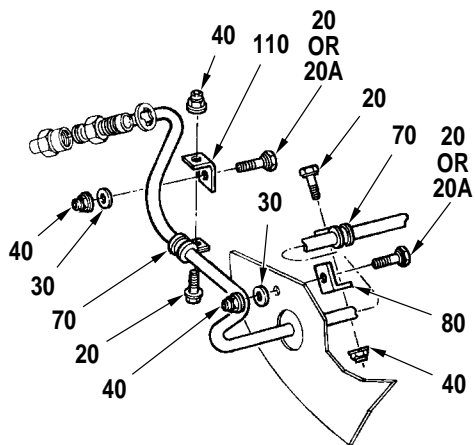
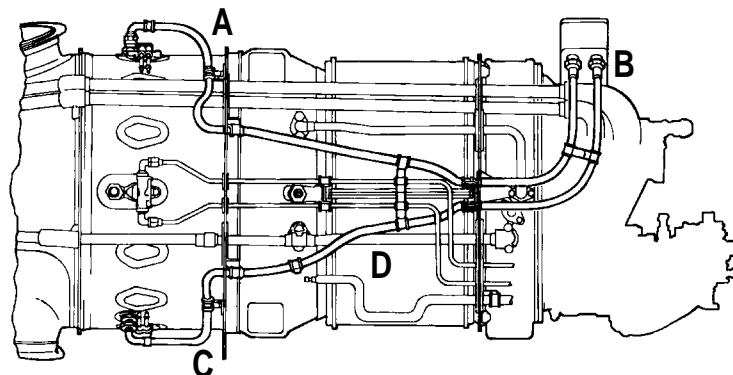
PRATT & WHITNEY CANADA  
 ILLUSTRATED PARTS CATALOG  
 MANUAL PART NO. 3013244



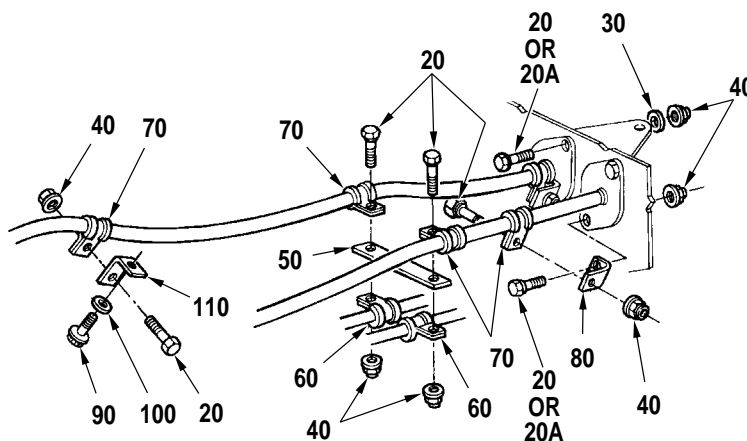
DETAIL A



DETAIL B



DETAIL C



DETAIL D

C52065A

Ignition Cables Installation (Post-SB1196) (PT6A-27/-28)  
 Figure 1

**74-20-00**

Figure 1

Page 2

Aug 27/2004

**PRATT & WHITNEY CANADA**  
**ILLUSTRATED PARTS CATALOG**  
**MANUAL PART NO. 3013244**

FIG. ITEM	PART NUMBER	AIRLINE PART NUMBER	1234567 NOMENCLATURE	EFFECT CODE	UNITS PER ASSY
1					
- 1			IGNITION CABLES INSTALLATION (PT6A-27/-28) SEE 72-00-00 FIG. 1 FOR NHA	A B	REF
10	10-380230-1		.CABLE, EXCITER TO IGNITER SUPPLIER CODE: 77820 P&WC P/N: 3018278 SEE NOTE 1 INTRCHG WITH P/N 10-380230-9	A B	2
10A	10-380230-9		.CABLE, EXCITER TO IGNITER SUPPLIER CODE: 77820 P&WC P/N: 3024648 SEE NOTE 1 INTRCHG WITH P/N 3029443	A	2
- 10B	3029443		.CABLE OPTION (IC) FOR ENGINES BUILT TO BS622, BS624, BS801, BS877, BS954 FOR ENGINES BUILT TO BS418, BS419, BS475, BS570, BS610 SEE NOTE 1 AND 3 POST-SB1196 (IC) CONSISTS OF:	A B	2
	10-395427-5		..CABLE, IGNITION, EXCITER TO IGNITER SUPPLIER CODE: 77820 P&WC P/N: 3029438		AR
	50383-E		..CABLE, IGNITION, EXCITER TO IGNITER SUPPLIER CODE: 50148 P&WC P/N: 3029109		AR
- 10C	3029109		.CABLE ASSEMBLY, IGNITION EXCITER TO IGNITER FOR ENGINES BUILT TO BS622, BS624, BS801, BS877, BS954 FOR ENGINES BUILT TO BS418, BS419, BS475, BS570, BS610 PRE-SB1498 TWO-WAY INTRCHG WITH P/N 3119832-01	A B	2
- 10D	3119832-01		.CABLE ASSEMBLY, IGNITION EXCITER TO IGNITER FOR ENGINES BUILT TO BS622, BS624, BS801, BS877, BS954 FOR ENGINES BUILT TO BS418, BS419, BS475, BS570, BS610 POST-SB1498	A B	2

CONTINUED

- ITEM NOT ILLUSTRATED

EFF MODEL A PT6A-27 B PT6A-28	EFF MODEL	EFF MODEL
-------------------------------------	-----------	-----------

**74-20-00**

**Figure 1**

Page 3

Aug 27/2004

**PRATT & WHITNEY CANADA**  
**ILLUSTRATED PARTS CATALOG**  
**MANUAL PART NO. 3013244**

FIG. ITEM	PART NUMBER	AIRLINE PART NUMBER	NOMENCLATURE	EFFECT CODE	UNITS PER ASSY
			1234567		
1			ATTACHING PARTS		
20	MS9518-06		.BOLT, MACHINE, HEX SEE NOTE 2	A B	19
- 20A	MS9914-06		.BOLT, MACHINE, HEX	A B	11
30	MS9549-09		.WASHER, FLAT	A B	4
40	3012675		.NUT OPTION (IC) SEE TABLE FOR OPTIONAL PART NUMBERS	A B	19
			-----*-----		
50	MS9395-04		.BACKPLATE, RETAINING STRAP FOR ENGINES BUILT TO BS622, BS624, BS877, BS954	A B	1
60	3004359		.CLAMP ASSEMBLY, LOOP, CUSHION PRE-PT6A SPB NO.10 TWO-WAY INTRCHG WITH P/N ST2231-04	A	2
- 60A	ST2231-04		.CLAMP ASSEMBLY, LOOP, CUSHION POST-PT6A SPB NO.10	A B	2
70	3008973		.CLAMP ASSEMBLY, LOOP SEE NOTE 3 POST-SB1196 PRE-PT6A SPB NO.10 TWO-WAY INTRCHG WITH P/N ST2231-05	A B	11
- 70A	ST2231-05		.CLAMP ASSEMBLY, LOOP POST-PT6A SPB NO.10	A B	11
80	3019648		.BRACKET, IGNITION CABLE SUPPORT FOR ENGINES BUILT TO BS622, BS624, BS801, BS877, BS954 FOR ENGINES BUILT TO BS418, BS419, BS475, BS570, BS610 SEE NOTE 3 POST-SB1196	A B	4
			ATTACHING PARTS		
90	MS9565-06		.BOLT, MACHINE, DRD DBL HEX SEE NOTE 3 PRE-SB1196	A B	1

CONTINUED

- ITEM NOT ILLUSTRATED

EFF MODEL A PT6A-27 B PT6A-28	EFF MODEL	EFF MODEL
-------------------------------------	-----------	-----------

**74-20-00**  
**Figure 1**  
Page 4  
Aug 27/2004



**PRATT & WHITNEY CANADA**  
**ILLUSTRATED PARTS CATALOG**  
**MANUAL PART NO. 3013244**

FIG. ITEM	PART NUMBER	AIRLINE PART NUMBER	1234567	NOMENCLATURE	EFFECT CODE	UNITS PER ASSY
1	- 90A	MS9565-08		.BOLT, MACHINE, DRD DBL HEX FOR ENGINES BUILT TO BS622, BS624, BS801, BS877, BS954 FOR ENGINES BUILT TO BS418, BS419, BS475, BS570, BS610 SEE NOTE 3 POST-SB1196	A B	1
	100	MS9321-09		.WASHER, FLAT FOR ENGINES BUILT TO BS622, BS624, BS801, BS877, BS954 FOR ENGINES BUILT TO BS418, BS419, BS475, BS570, BS610 SEE NOTE 3 POST-SB1196  -----*-----	A B	1
	110	MS9592-010		.BRACKET, ANGLE, 90-DEG FOR ENGINES BUILT TO BS622, BS624, BS801, BS877, BS954 FOR ENGINES BUILT TO BS418, BS419, BS475, BS570, BS610  <u>NOTE 1:</u> FOR ADDITIONAL INFORMATION REFER TO P&WC ENGINE OVERHAUL MANUAL P/N 3013243  <u>NOTE 2:</u> WHEN P/N MS9914-06 IS USED, QUANTITY IS 11  <u>NOTE 3:</u> ALL OLD PARTS MUST BE REPLACED BY ALL NEW PARTS AS AN ASSEMBLY	A B	3

- ITEM NOT ILLUSTRATED

EFF MODEL A PT6A-27 B PT6A-28	EFF MODEL	EFF MODEL
-------------------------------------	-----------	-----------

**74-20-00**  
**Figure 1**  
Page 5/6  
Aug 27/2004



# Ignition Cables Installation (Post-SB1196) (PT6A-21/-27)

I

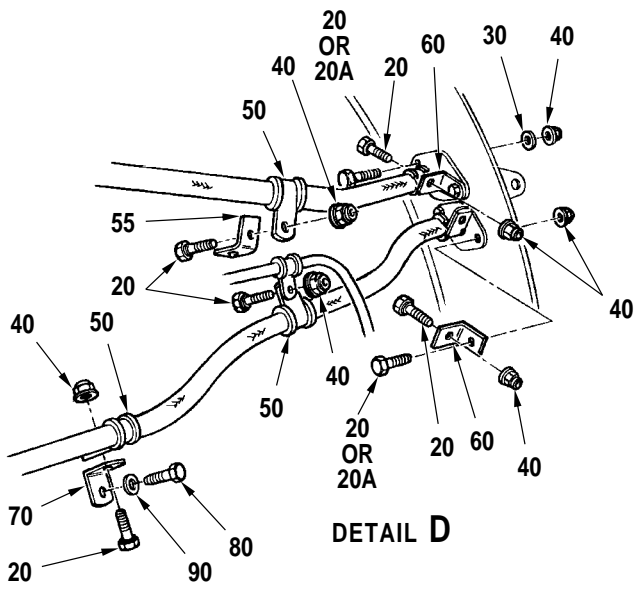
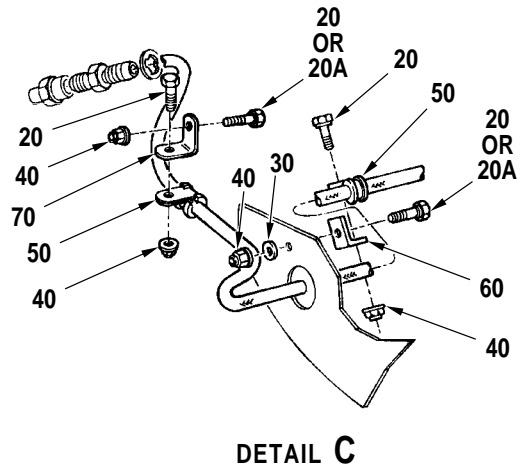
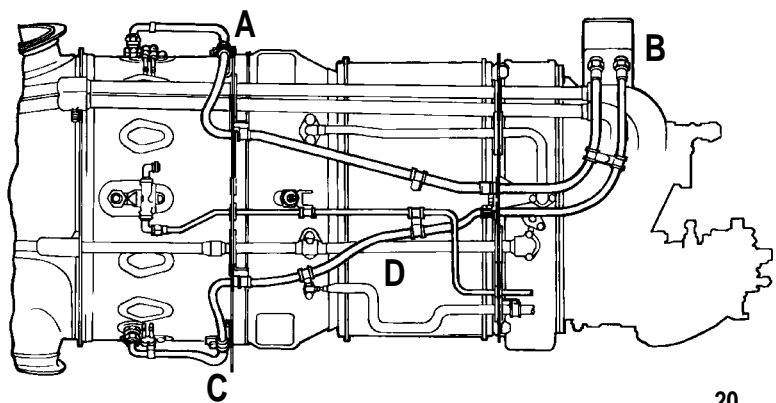
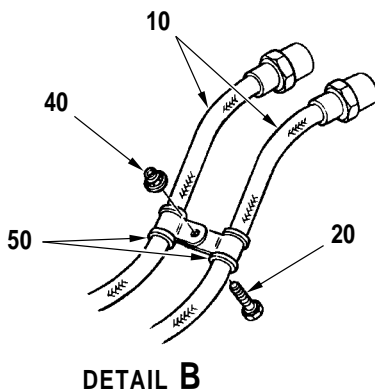
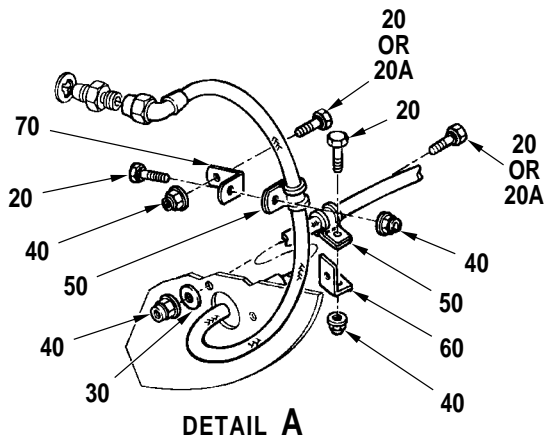
**74-20-00**

Figure 2

Page 1

Aug 27/2004

**PRATT & WHITNEY CANADA**  
**ILLUSTRATED PARTS CATALOG**  
**MANUAL PART NO. 3013244**



C52096A

Ignition Cables Installation (Post-SB1196) (PT6A-21/-27)  
 Figure 2 (Sheet 1 of 2)

**74-20-00**

**Figure 2**

Page 2

Aug 27/2004

**PRATT & WHITNEY CANADA**  
**ILLUSTRATED PARTS CATALOG**  
**MANUAL PART NO. 3013244**

FIG. ITEM	PART NUMBER	AIRLINE PART NUMBER	NOMENCLATURE	EFFECT CODE	UNITS PER ASSY
			1234567		
2					
- 1			IGNITION CABLES INSTALLATION (PT6A-21/-27) SEE 72-00-00 FIG. 1 FOR NHA	A C	REF
10	3029443		.CABLE OPTION (IC) FOR ENGINES BUILT TO BS571, BS671, BS1141 SEE NOTE 1 AND 3 POST-SB1196 (IC) CONSISTS OF:	C	2
	10-395427-5		..CABLE, IGNITION, EXCITER TO IGNITER SUPPLIER CODE: 77820 P&WC P/N: 3029438		AR
	50383-E		..CABLE, IGNITION, EXCITER TO IGNITER SUPPLIER CODE: 50148 P&WC P/N: 3029109 INTRCHG WITH P/N 3029109		AR
10A	3029109		.CABLE ASSEMBLY, IGNITION EXCITER TO IGNITER FOR ENGINES BUILT TO BS571, BS671, BS1141 PRE-SB1498 TWO-WAY INTRCHG WITH P/N 3119832-01	C	2
- 10B	3119832-01		.CABLE ASSEMBLY, IGNITION EXCITER TO IGNITER FOR ENGINES BUILT TO BS571, BS671, BS788, BS1141 POST-SB1498	C	2
			ATTACHING PARTS		
20	MS9518-06		.BOLT, MACHINE, HEX FOR ENGINES BUILT TO BS801 FOR ENGINES BUILT TO BS571, BS671, BS788, BS1141 SEE NOTE 2	A C	19
- 20A	MS9914-06		.BOLT MACHINE, HEX	C	11
30	MS9549-09		.WASHER, FLAT FOR ENGINES BUILT TO BS571, BS671, BS788, BS1141 SEE NOTE 3 POST-SB1196	C	11
- 35	MS9320-09		.WASHER, FLAT FOR ENGINES BUILT TO BS571, BS671, BS1141	C	1

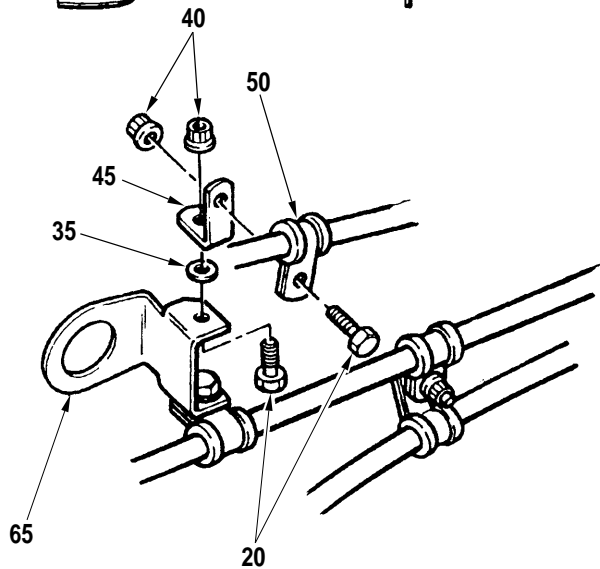
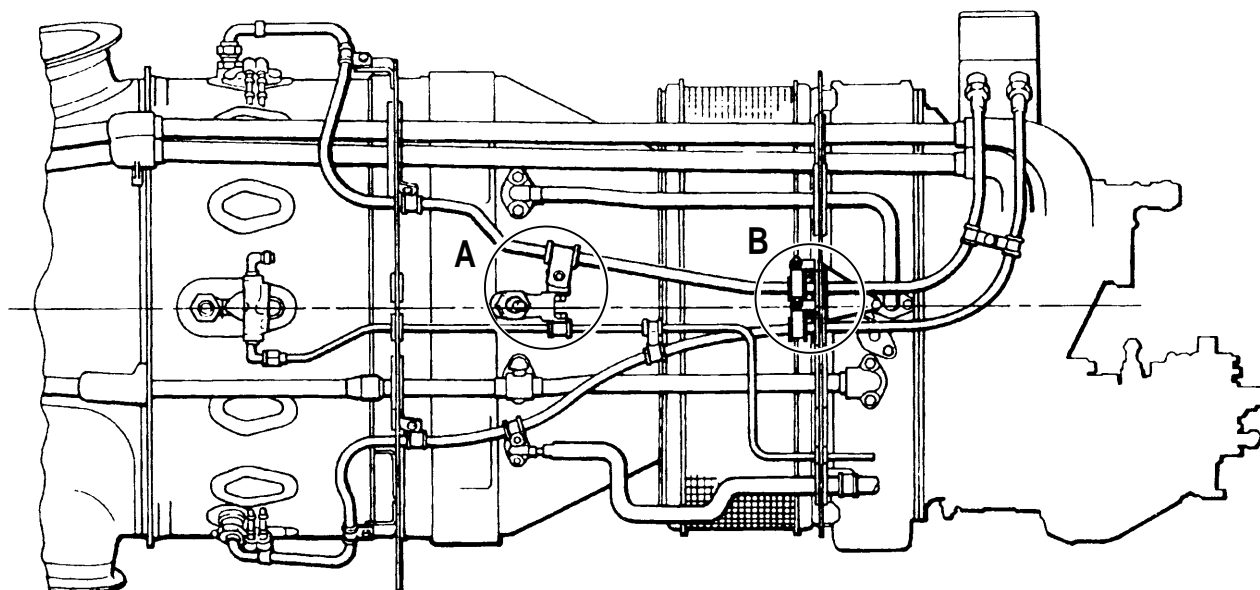
CONTINUED

- ITEM NOT ILLUSTRATED

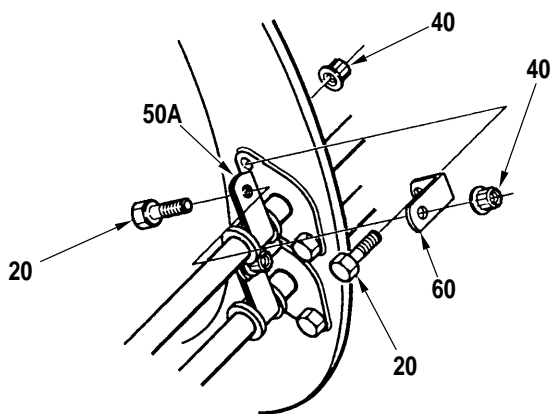
EFF MODEL A PT6A-27 C PT6A-21	EFF MODEL	EFF MODEL
-------------------------------------	-----------	-----------

**74-20-00**  
**Figure 2**  
Page 3  
Aug 27/2004

PRATT & WHITNEY CANADA  
ILLUSTRATED PARTS CATALOG  
MANUAL PART NO. 3013244



VIEW A



VIEW B

C27644

Ignition Cables Installation (Post-SB1196) (PT6A-21/-27)  
Figure 2 (Sheet 2 of 2)

**74-20-00**

**Figure 2**

Page 4

Aug 27/2004

**PRATT & WHITNEY CANADA**  
**ILLUSTRATED PARTS CATALOG**  
**MANUAL PART NO. 3013244**

FIG. ITEM	PART NUMBER	AIRLINE PART NUMBER	NOMENCLATURE	EFFECT CODE	UNITS PER ASSY
2			1234567		
40	3012675		.NUT OPTION (IC) FOR ENGINES BUILT TO BS801 FOR ENGINES BUILT TO BS571, BS671, BS788, BS1141 SEE TABLE FOR OPTIONAL PART NUMBERS  -----*-----	A C	19
- 45	MS9600-054		.BRACKET, 90-DEG ANGLE FOR ENGINES BUILT TO BS571, BS671, BS1141 O.190 BOLT	C	1
50	3008973		.CLAMP ASSEMBLY, LOOP FOR ENGINES BUILT TO BS801 FOR ENGINES BUILT TO BS571, BS671, BS1141 SEE NOTE 3 POST-SB1196 PRE-PT6A SPB NO.10 TWO-WAY INTRCHG WITH P/N ST2231-05	A C	10
- 50A	ST2231-05		.CLAMP, LOOP, CUSHION FOR ENGINES BUILT TO BS801 FOR ENGINES BUILT TO BS571, BS671, BS788, BS1141 POST-PT6A SPB NO.10	A C	10
55	MS9228-05		.BRACKET, ANGLE, 90-DEG SEE NOTE 3 PRE-SB1196 RESTRICTED INTERCHANGEABILITY WITH P/N MS9592-010. REFER TO APPLICABLE SERVICE BULLETIN.	C	REF
60	3019648		.BRACKET, IGNITION CABLE SUPPORT FOR ENGINES BUILT TO BS571, BS671, BS788, BS1141 SEE NOTE 3 POST-SB1196	C	4
- 65	3013573		.BRACKET, FUEL LINE, IGNITION LEAD SUPPORT	C	1
70	MS9592-010		.BRACKET, ANGLE, 90-DEG FOR ENGINES BUILT TO BS571, BS671, BS788, BS1141 SEE NOTE 3 POST-SB1196	C	3
80	MS9565-08		ATTACHING PARTS .BOLT, MACHINE, DRD DBL HEX FOR ENGINES BUILT TO BS571, BS671, BS788, BS1141	C	1

CONTINUED

- ITEM NOT ILLUSTRATED

EFF MODEL A PT6A-27 C PT6A-21	EFF MODEL	EFF MODEL
-------------------------------------	-----------	-----------

**74-20-00**

**Figure 2**

Page 5

Aug 27/2004

**PRATT & WHITNEY CANADA**  
**ILLUSTRATED PARTS CATALOG**  
**MANUAL PART NO. 3013244**

FIG. ITEM	PART NUMBER	AIRLINE PART NUMBER	1234567	NOMENCLATURE	EFFECT CODE	UNITS PER ASSY
2 90	MS9321-09			.WASHER, FLAT FOR ENGINES BUILT TO BS571, BS671, BS788, BS1141 SEE NOTE 3 POST-SB1196  -----*-----  NOTE 1: FOR ADDITIONAL INFORMATION REFER TO P&WC ENGINE OVERHAUL MANUAL P/N 3013243  NOTE 2: WHEN P/N MS9914-06 IS USED, QUANTITY IS 11  NOTE 3: ALL OLD PARTS MUST BE REPLACED BY ALL NEW PARTS AS AN ASSEMBLY	C	1

- ITEM NOT ILLUSTRATED

EFF MODEL C PT6A-21	EFF MODEL	EFF MODEL
------------------------	-----------	-----------

**74-20-00**  
**Figure 2**  
Page 6  
Aug 27/2004



## Igniters Installation (Post-SB1196)

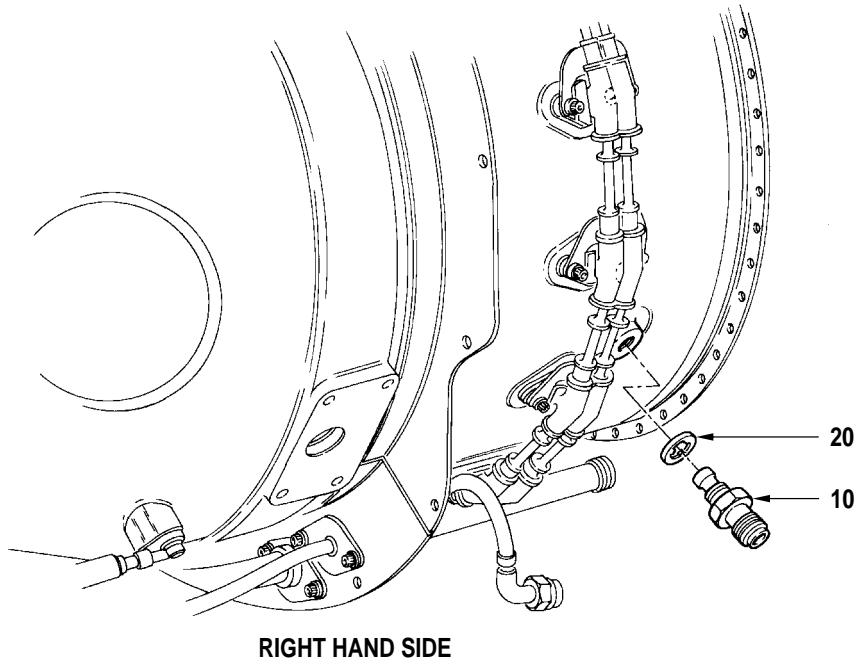
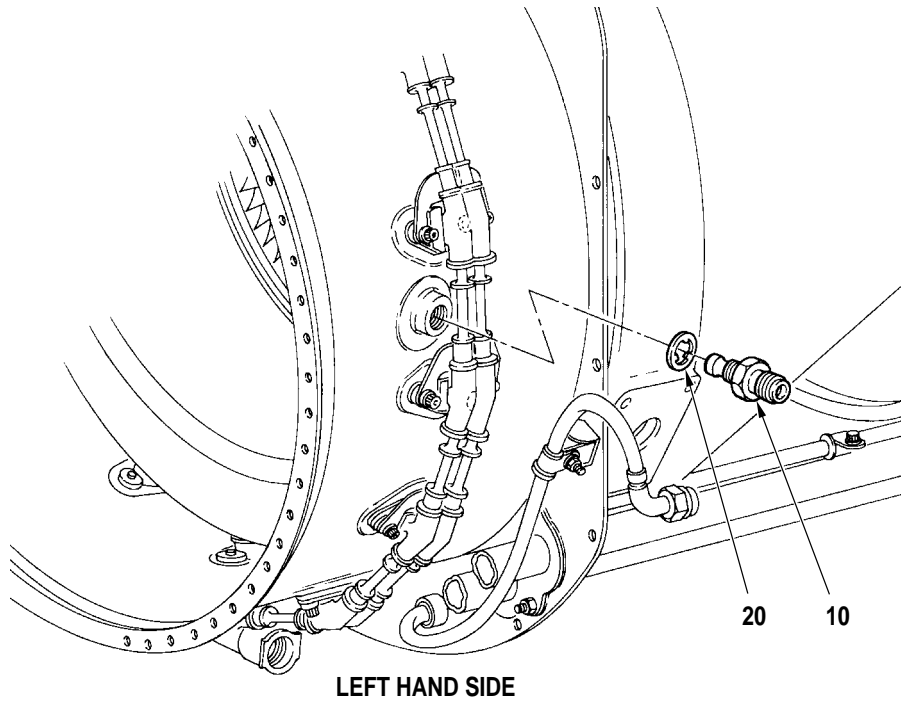
**74-20-00**

**Figure 3**

Page 1

Aug 27/2004

**PRATT & WHITNEY CANADA**  
**ILLUSTRATED PARTS CATALOG**  
**MANUAL PART NO. 3013244**



Igniters Installation (Post-SB1196)  
Figure 3

C52066

**74-20-00**

**Figure 3**

Page 2

Aug 27/2004

**PRATT & WHITNEY CANADA**  
**ILLUSTRATED PARTS CATALOG**  
**MANUAL PART NO. 3013244**

FIG. ITEM	PART NUMBER	AIRLINE PART NUMBER	NOMENCLATURE	EFFECT CODE	UNITS PER ASSY
3			1234567		
- 1			IGNITERS INSTALLATION SEE 72-00-00 FIG. 1 FOR NHA	A B C	REF
10	3014981		.IGNITER OPTION (IC) PRE-SB1286 INTRCHG WITH P/N 3032096 (IC) CONSISTS OF:	A	2
	3014985		..IGNITER, SPARK		AR
	3014986		..IGNITER, SPARK		AR
	3024706		..IGNITER, SPARK		AR
- 10A	3032096		.IGNITER OPTION (IC) FOR ENGINES BUILT TO BS622, BS624, BS801, BS877, BS954 FOR ENGINES BUILT TO BS418, BS419, BS475, BS570, BS610 FOR ENGINES BUILT TO BS571, BS671, BS788, BS1141 SEE NOTE 1 AND 2 POST-SB1196 PRE-PT6A SPB NO.114 (IC) CONSISTS OF:	A B C	2
	3031213		..IGNITER, SPARK		AR
	3027280		..IGNITER, SPARK		AR
- 10B	3032096		.IGNITER OPTION (IC) FOR ENGINES BUILT TO BS622, BS624, BS801, BS877, BS954 FOR ENGINES BUILT TO BS418, BS419, BS475, BS570, BS610 FOR ENGINES BUILT TO BS571, BS671, BS788, BS1141 SEE NOTE 1 AND 2 POST-PT6A SPB NO.114 (IC) CONSISTS OF:	A B C	2
	3031213		..IGNITER, SPARK		AR
	3035102		..IGNITER, SPARK		AR
20	3010880		.GASKET, GLOW AND IGNITER PLUG FOR ENGINES BUILT TO BS622, BS624, BS801, BS877, BS954 FOR ENGINES BUILT TO BS418, BS419, BS475, BS570, BS610 SEE NOTE 1 PRE-SB1196	A	2

CONTINUED

- ITEM NOT ILLUSTRATED

EFF MODEL A PT6A-27 B PT6A-28 C PT6A-21	EFF MODEL	EFF MODEL
--	-----------	-----------

**74-20-00**  
**Figure 3**  
Page 3  
Aug 27/2004

**PRATT & WHITNEY CANADA**  
**ILLUSTRATED PARTS CATALOG**  
**MANUAL PART NO. 3013244**

FIG. ITEM	PART NUMBER	AIRLINE PART NUMBER	NOMENCLATURE	EFFECT CODE	UNITS PER ASSY
3			1234567		
- 20A	3010880		.GASKET, GLOW AND IGNITER PLUG FOR ENGINES BUILT TO BS622, BS624, BS801, BS877, BS954 FOR ENGINES BUILT TO BS418, BS419, BS475, BS570, BS610 FOR ENGINES BUILT TO BS571, BS671, BS788, BS1141 SEE NOTE 1 POST-SB1196 PRE-SB1286 INTRCHG WITH P/N 3031372	A C	2
- 20B	3031272		.GASKET, IGNITER FOR ENGINES BUILT TO BS622, BS624, BS801, BS877, BS954 FOR ENGINES BUILT TO BS418, BS419, BS475, BS570, BS610 POST-SB1286  <u>NOTE 1:</u> ALL OLD PARTS MUST BE REPLACED BY ALL NEW PARTS AS AN ASSEMBLY  <u>NOTE 2:</u> IGNITER P/N 3035102 CAN USE GASKET P/N 3010880 ONLY, IGNITER P/N 3031213 CAN USE BOTH GASKETS	A B C	2

- ITEM NOT ILLUSTRATED

EFF MODEL	EFF MODEL	EFF MODEL
A PT6A-27		
B PT6A-28		
C PT6A-21		

**74-20-00**  
**Figure 3**  
Page 4  
Aug 27/2004