

**PRATT & WHITNEY CANADA**  
**ILLUSTRATED PARTS CATALOG**  
**MANUAL PART NO. 3013244**

LIST OF EFFECTIVE PAGES

<u>CHAPTER SECTION</u>	<u>PAGE</u>	<u>DATE</u>
LEP	1	Aug 27/2004
	2 blank	Aug 27/2004
Contents	1	Aug 27/2004
	2 blank	Aug 27/2004
74-10-00 Figure 1	1	Aug 27/2004
	2	Aug 27/2004
	3	Aug 27/2004
	4	Aug 27/2004
	5	Aug 27/2004
	6	Aug 27/2004
74-10-00 Figure 2	1	Aug 27/2004
	2	Aug 27/2004
	3	Aug 27/2004
	4	Aug 27/2004
74-10-00 Figure 3	1	Aug 27/2004
	2	Aug 27/2004
	3	Aug 27/2004
	4 blank	Aug 27/2004



**PRATT & WHITNEY CANADA**  
**ILLUSTRATED PARTS CATALOG**  
**MANUAL PART NO. 3013244**

TABLE OF CONTENTS

<u>TITLE</u>	<u>CH/SE/SU</u>	<u>FIGURE</u>
Glow Plug Installation	74-10-00	3
Ignition Cables Installation (PT6A-21)	74-10-00	2
Ignition Cables Installation (PT6A-27/-28)	74-10-00	1



# Ignition Cables Installation (PT6A-27/-28)

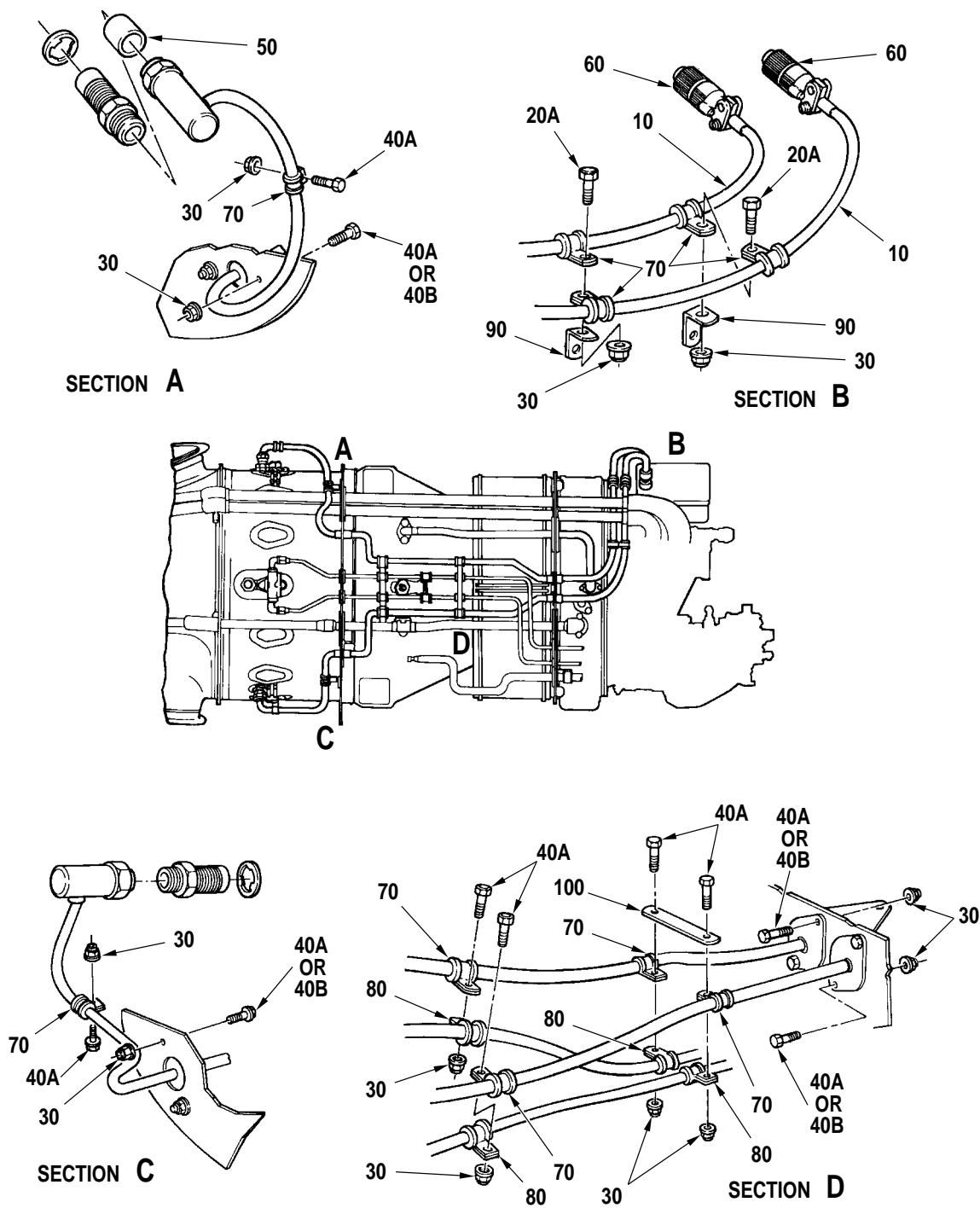
**74-10-00**

Figure 1

Page 1

Aug 27/2004

**PRATT & WHITNEY CANADA**  
**ILLUSTRATED PARTS CATALOG**  
**MANUAL PART NO. 3013244**



Ignition Cables Installation (PT6A-27/-28)  
 Figure 1

**PRATT & WHITNEY CANADA**  
**ILLUSTRATED PARTS CATALOG**  
**MANUAL PART NO. 3013244**

FIG. ITEM	PART NUMBER	AIRLINE PART NUMBER	NOMENCLATURE	EFFECT CODE	UNITS PER ASSY
1			1234567		
- 1			IGNITION CABLES INSTALLATION (PT6A-27/-28) SEE 72-00-00 FIG. 1 FOR NHA	A B	REF
10	3011871		.CABLE ASSEMBLY, IGNITION REGULATOR TO GLOW PLUG FOR ENGINES BUILT TO BS307, BS321, BS324, BS325, BS330, BS367, BS374, BS392, BS393, BS410, BS414, BS423 FOR ENGINES BUILT TO BS346, BS365, BS473, BS485 SEE NOTE 1, 3 AND 5 PRE-SB1196 RESTRICTED INTERCHANGEABILITY WITH P/N 3029443. REFER TO APPLICABLE SERVICE BULLETIN.	A B	2
- 20	3012216		ATTACHING PARTS .BOLT, MACHINE, HEX SEE NOTE 5 PRE-SB1196 INTRCHG WITH P/N MS9518-08	A B	2
20A	MS9518-08		.BOLT, MACHINE, HEX FOR ENGINES BUILT TO BS307, BS321, BS324, BS325, BS330, BS367, BS374, BS392, BS393, BS410, BS414, BS423 FOR ENGINES BUILT TO BS346, BS365, BS473, BS485	A B	2
30	3012675		.NUT OPTION (IC) FOR ENGINES BUILT TO BS307, BS321, BS324, BS325, BS330, BS367, BS374, BS392, BS393, BS410, BS414, BS423 FOR ENGINES BUILT TO BS346, BS365, BS473, BS485 SEE TABLE FOR OPTIONAL PART NUMBERS SEE NOTE 5 PRE-SB1196	A B	14
- 30A	3012675		.NUT OPTION (IC) SEE TABLE FOR OPTIONAL PART NUMBERS SEE NOTE 5 POST-SB1196	A B	24

CONTINUED

- ITEM NOT ILLUSTRATED

EFF MODEL A PT6A-27 B PT6A-28	EFF MODEL	EFF MODEL
-------------------------------------	-----------	-----------

**74-10-00**  
**Figure 1**  
Page 3  
Aug 27/2004

**PRATT & WHITNEY CANADA**  
**ILLUSTRATED PARTS CATALOG**  
**MANUAL PART NO. 3013244**

FIG. ITEM	PART NUMBER	AIRLINE PART NUMBER	NOMENCLATURE	EFFECT CODE	UNITS PER ASSY
			1234567		
1					
- 40	3012358		.BOLT, MACHINE, HEX 0.190-32UNJF X 0.500 SEE NOTE 4 AND 5 PRE-SB1196	A B	12
40A	MS9518-06		.BOLT, MACHINE, HEX FOR ENGINES BUILT TO BS307, BS321, BS324, BS325, BS330, BS367, BS374, BS392, BS393, BS410, BS414, BS423 FOR ENGINES BUILT TO BS346, BS365, BS473, BS485 SEE NOTE 4 AND 5 POST-SB1196	A B	24
40B	MS9914-06		.BOLT, MACHINE, HEX FOR ENGINES BUILT TO BS307, BS321, BS324, BS325, BS330, BS367, BS374, BS392, BS393, BS410, BS414, BS423 FOR ENGINES BUILT TO BS346, BS365, BS473, BS485	A B	8
- 40C	3012358		.BOLT, MACHINE, HEX 0.190-32UNJF X 0.500 SEE NOTE 5 PRE-SB1196	A B	12
			-----*-----		
50	3010091		.BUSHING, RUBBER	A B	1
60	3010561		.CONNECTOR, PLUG, ELECTRICAL	A B	1
70	3003887		.CLAMP ASSEMBLY, LOOP NONINTR WITH P/N 3030367	A B	10
- 70A	3030367		.CLAMP, LOOP FOR ENGINES BUILT TO BS307, BS321, BS324, BS325, BS330, BS367, BS374, BS392, BS393, BS410, BS414, BS423 FOR ENGINES BUILT TO BS346, BS365, BS473, BS485 SEE NOTE 2 REFER TO PARTS SUBSTITUTION LIST IN INTRODUCTION	A B	10
CONTINUED					

- ITEM NOT ILLUSTRATED

EFF MODEL A PT6A-27 B PT6A-28	EFF MODEL	EFF MODEL
-------------------------------------	-----------	-----------

**74-10-00**

**Figure 1**

Page 4

Aug 27/2004



**PRATT & WHITNEY CANADA**  
**ILLUSTRATED PARTS CATALOG**  
**MANUAL PART NO. 3013244**

FIG. ITEM	PART NUMBER	AIRLINE PART NUMBER	1234567 NOMENCLATURE	EFFECT CODE	UNITS PER ASSY
1					
- 75	ST3023-03		PARTIAL BREAKDOWN FOLLOWS: ..GROMMET, RUBBER, GROOVE FOR ENGINES BUILT TO BS307, BS321, BS324, BS325, BS330, BS367, BS374, BS392, BS393, BS410, BS414, BS423 FOR ENGINES BUILT TO BS346, BS365, BS473, BS485 SEE NOTE 2	A B	10
80	3004359		.CLAMP ASSEMBLY, LOOP, CUSHION FOR ENGINES BUILT TO BS307, BS321, BS324, BS325, BS330, BS367, BS374, BS392, BS393, BS410, BS414, BS423 FOR ENGINES BUILT TO BS346, BS365, BS473, BS485 SEE NOTE 5 PRE-SB1196 PRE-PT6A SPB NO.10 TWO-WAY INTRCHG WITH P/N ST2231-04	A B	4
- 80A	ST2231-04		.CLAMP ASSEMBLY, LOOP, CUSHION FOR ENGINES BUILT TO BS307, BS321, BS324, BS325, BS330, BS367, BS374, BS392, BS393, BS410, BS414, BS423 FOR ENGINES BUILT TO BS346, BS365, BS473, BS485 POST-PT6A SPB NO.10	A B	4
90	MS9228-05		.BRACKET, ANGLE, 90 -DEG SEE NOTE 1	A B	2
- 90A	MS9600-054		.BRACKET, ANGLE, 90-DEG FOR ENGINES BUILT TO BS307, BS321, BS324, BS325, BS330, BS367, BS374, BS392, BS393, BS410, BS414, BS423 FOR ENGINES BUILT TO BS346, BS365, BS473, BS485 SEE NOTE 1	A B	2
100	MS9395-04		.BACK PLATE, RETAINING STRAP SEE NOTE 5 POST-SB1196	A B	1
			NOTE 1: SEE 72-60-00 FIG. 1 FOR ATTACHING PARTS		
			NOTE 2: WHEN REPLACING P/N 3003887, P/N 3030367 AND ST3023-03 MUST BE FITTED AS A SET		
CONTINUED					

- ITEM NOT ILLUSTRATED

EFF MODEL A PT6A-27 B PT6A-28	EFF MODEL	EFF MODEL
-------------------------------------	-----------	-----------

**PRATT & WHITNEY CANADA**  
**ILLUSTRATED PARTS CATALOG**  
**MANUAL PART NO. 3013244**

FIG. ITEM	PART NUMBER	AIRLINE PART NUMBER	NOMENCLATURE	EFFECT CODE	UNITS PER ASSY
1			<p style="margin: 0;">1234567</p> <p style="margin: 10px 0 0 20px;"><u>NOTE 3</u>: FOR ADDITIONAL INFORMATION REFER TO P&amp;WC ENGINE OVERHAUL MANUAL P/N 3013243</p> <p style="margin: 10px 0 0 20px;"><u>NOTE 4</u>: QUANTITY OF FOUR WHEN P/N MS9914-06 IS USED</p> <p style="margin: 10px 0 0 20px;"><u>NOTE 5</u>: ALL OLD PARTS MUST BE REPLACED BY ALL NEW PARTS AS AN ASSEMBLY</p>		

- ITEM NOT ILLUSTRATED

EFF MODEL	EFF MODEL	EFF MODEL
-----------	-----------	-----------

74-10-00

Figure 1

Page 6

Aug 27/2004

# Ignition Cables Installation (PT6A-21)

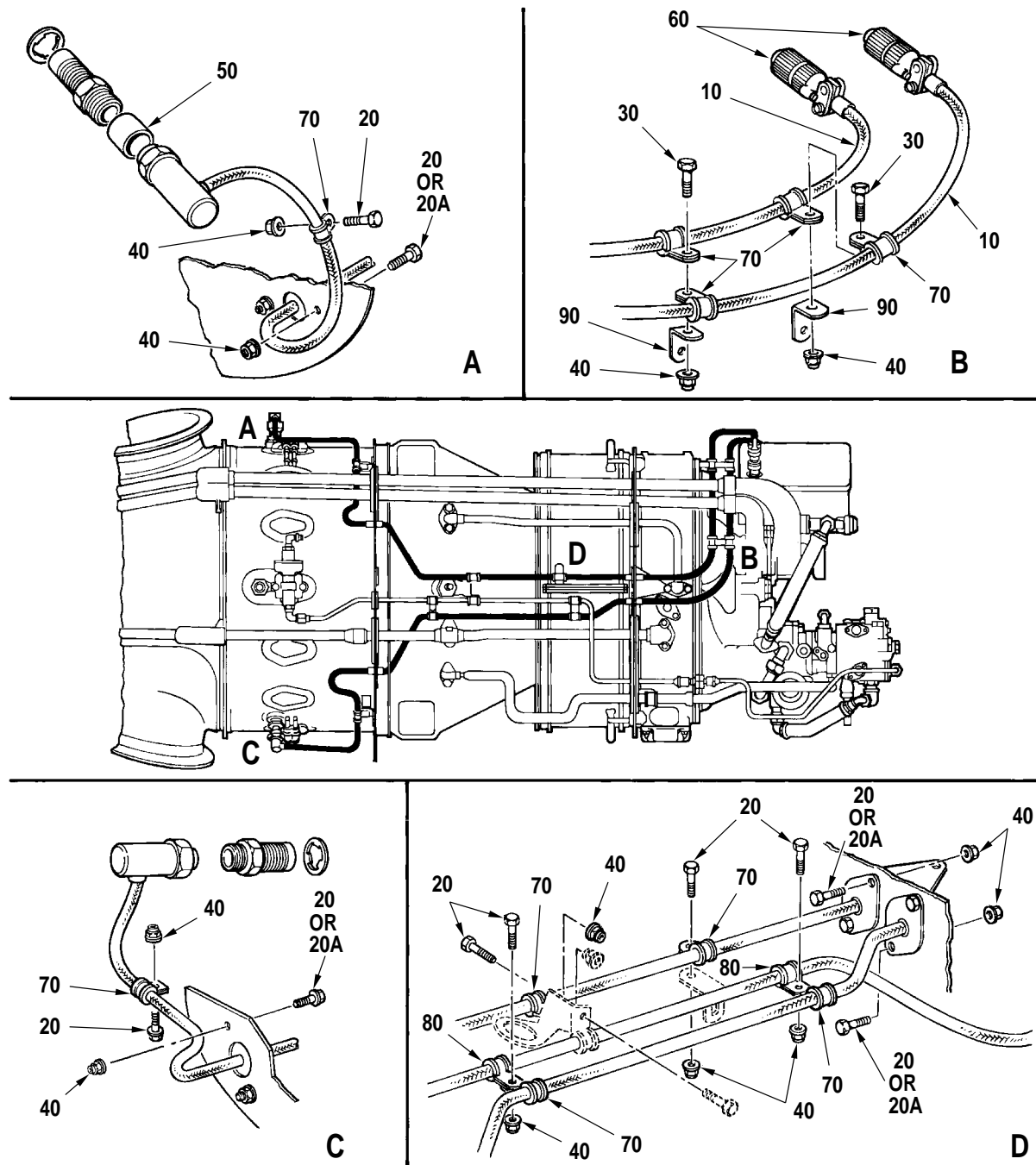
**74-10-00**

**Figure 2**

Page 1

Aug 27/2004

PRATT & WHITNEY CANADA  
 ILLUSTRATED PARTS CATALOG  
 MANUAL PART NO. 3013244



Ignition Cables Installation (PT6A-21)  
 Figure 2

**PRATT & WHITNEY CANADA**  
**ILLUSTRATED PARTS CATALOG**  
**MANUAL PART NO. 3013244**

FIG. ITEM	PART NUMBER	AIRLINE PART NUMBER	1234567 NOMENCLATURE	EFFECT CODE	UNITS PER ASSY
2					
- 1			IGNITION CABLES INSTALLATION (PT6A-21) SEE 72-00-00 FIG. 1 FOR NHA	C	REF
10	3011871		.CABLE ASSEMBLY, IGNITION REGULATOR TO GLOW PLUG FOR ENGINES BUILT TO BS486 SEE NOTE 1 AND 4 PRE-SB1196 RESTRICTED INTERCHANGEABILITY WITH P/N 3029443. REFER TO APPLICABLE SERVICE BULLETIN.	C	2
			ATTACHING PARTS		
20	MS9518-06		.BOLT, MACHINE, HEX SEE NOTE 3 POST-SB1482R1	C	13
20A	MS9914-06		.BOLT, MACHINE, DBL HEX	C	8
30	MS9518-08		.BOLT, MACHINE, HEX FOR ENGINES BUILT TO BS486	C	2
- 35	MS9320-09		.WASHER, FLAT POST-SB1482R1	C	1
40	3012675		.NUT OPTION (IC) SEE TABLE FOR OPTIONAL PART NUMBERS POST-SB1482R1	C	15
			-----*-----		
- 45	MS9600-054		.BRACKET FOR ENGINES BUILT TO BS486 POST-SB1482R1	C	1
50	3010091		.BUSHING, RUBBER	C	1
60	3010561		.CONNECTOR, PLUG, ELECTRICAL	C	1
- 65	3013573		.BRACKET, FUEL LINE AND IGNITION LEAD SUPPORT	C	REF
70	3003887		.CLAMP ASSEMBLY, LOOP NONINTR WITH P/N 3030367	C	10
- 70A	3030367		.CLAMP, LOOP FOR ENGINES BUILT TO BS486 SEE NOTE 2 REFER TO PARTS SUBSTITUTION LIST IN INTRODUCTION	C	10
- 75	ST3023-03		.GROMMET, RUBBER, GROOVE FOR ENGINES BUILT TO BS486 SEE NOTE 2	C	10

CONTINUED

- ITEM NOT ILLUSTRATED

EFF MODEL C PT6A-21	EFF MODEL	EFF MODEL
------------------------	-----------	-----------

**74-10-00**

**Figure 2**

Page 3

Aug 27/2004

**PRATT & WHITNEY CANADA**  
**ILLUSTRATED PARTS CATALOG**  
**MANUAL PART NO. 3013244**

FIG. ITEM	PART NUMBER	AIRLINE PART NUMBER	NOMENCLATURE	EFFECT CODE	UNITS PER ASSY
2			1234567		
80	3004359		.CLAMP ASSEMBLY, LOOP, CUSHION FOR ENGINES BUILT TO BS486 POST-SB1196 PRE-PT6A SPB NO.10 TWO-WAY INTRCHG WITH P/N ST2231-04	C	2
- 80A	ST2231-04		.CLAMP ASSEMBLY, LOOP, CUSHION FOR ENGINES BUILT TO BS486 POST-PT6A SPB NO.10	C	2
90	MS9228-05		.BRACKET, ANGLE, 90-DEG INTRCHG WITH P/N MS9600-054	C	2
- 90A	MS9600-054		.BRACKET, ANGLE, 90-DEG FOR ENGINES BUILT TO BS486	C	2
			NOTE 1: FOR ADDITIONAL INFORMATION REFER TO P&WC ENGINE OVERHAUL MANUAL P/N 3013243		
			NOTE 2: WHEN REPLACING P/N 3003887, P/N 3030367 AND ST3023-03 MUST BE FITTED AS A SET		
			NOTE 3: QUANTITY OF FOUR WHEN P/N MS9914-06 IS USED		
			NOTE 4: ALL OLD PARTS MUST BE REPLACED BY ALL NEW PARTS AS AN ASSEMBLY		

- ITEM NOT ILLUSTRATED

EFF MODEL C PT6A-21	EFF MODEL	EFF MODEL
------------------------	-----------	-----------

**74-10-00**  
**Figure 2**  
Page 4  
Aug 27/2004

# Glow Plug Installation

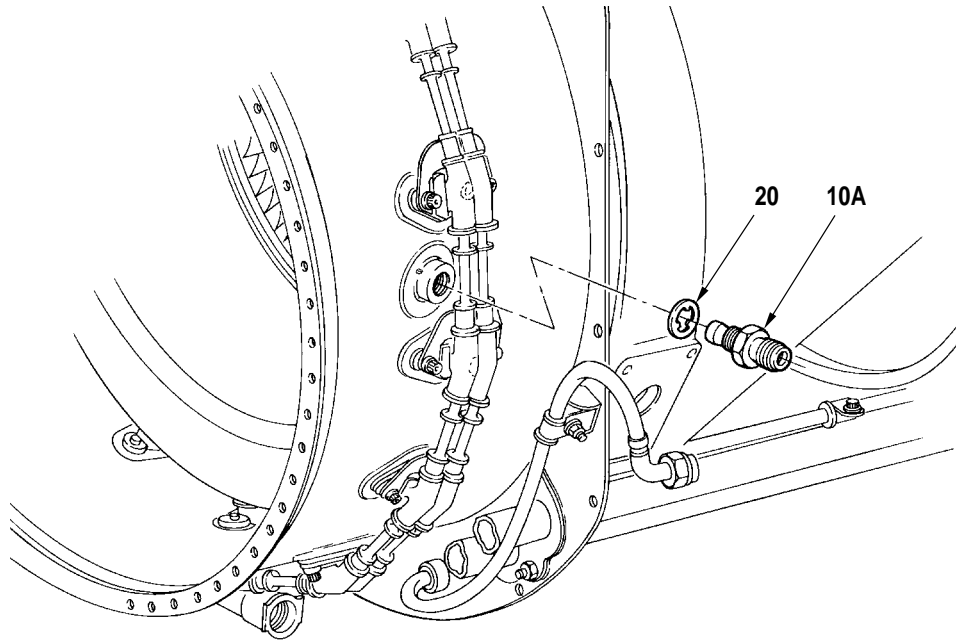
**74-10-00**

**Figure 3**

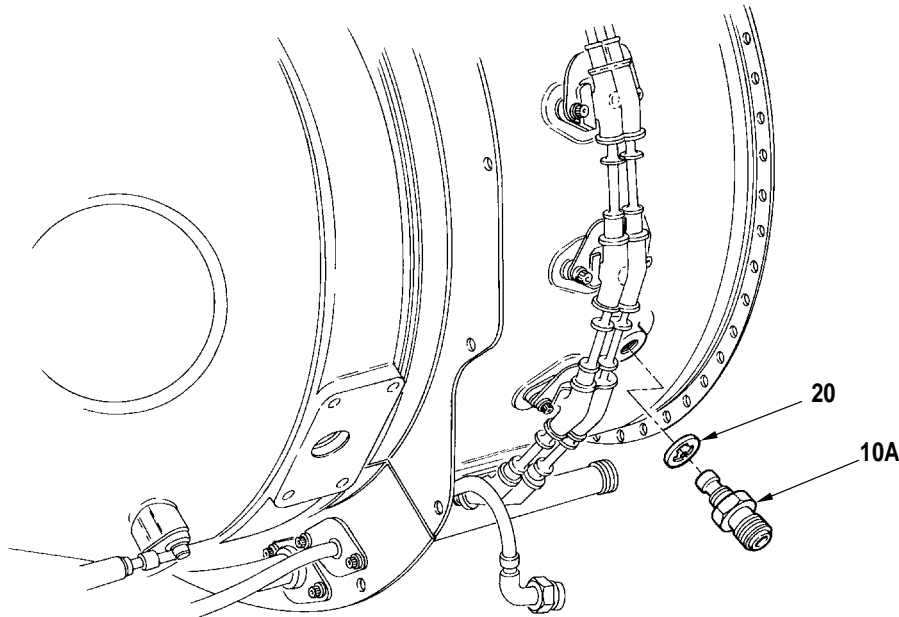
Page 1

Aug 27/2004

**PRATT & WHITNEY CANADA**  
**ILLUSTRATED PARTS CATALOG**  
**MANUAL PART NO. 3013244**



**LEFT HAND SIDE**



**RIGHT HAND SIDE**

Glow Plug Installation  
Figure 3



**PRATT & WHITNEY CANADA**  
**ILLUSTRATED PARTS CATALOG**  
**MANUAL PART NO. 3013244**

FIG. ITEM	PART NUMBER	AIRLINE PART NUMBER	NOMENCLATURE	EFFECT CODE	UNITS PER ASSY
3			1234567		
- 1			GLOW PLUG INSTALLATION SEE 72-00-00 FIG. 1 FOR NHA	A B C	REF
- 10	3008539		.GLOW PLUG, IGNITION INTRCHG WITH P/N 3014054	A B C	2
10A	3014054		.GLOW PLUG, IGNITION FOR ENGINES BUILT TO BS307, BS321, BS324, BS325, BS330, BS367, BS374, BS392, BS393, BS410, BS414, BS423 FOR ENGINES BUILT TO BS346, BS365, BS473, BS485 FOR ENGINES BUILT TO BS486 SEE NOTE 2 PRE-SB1196 RESTRICTED INTERCHANGEABILITY WITH P/N 3032096. REFER TO APPLICABLE SERVICE BULLETIN.	A B C	2
20	3010880		.GASKET, GLOW PLUG FOR ENGINES BUILT TO BS307, BS321, BS324, BS325, BS330, BS367, BS374, BS392, BS393, BS410, BS414, BS423 FOR ENGINES BUILT TO BS346, BS365, BS473, BS485 FOR ENGINES BUILT TO BS486 SEE NOTE 1 AND 2 PRE-SB1196  NOTE 1: INCLUDED IN HOT SECTION INSPECTION PARTS KIT P/N 3031407  NOTE 2: ALL OLD PARTS MUST BE REPLACED BY ALL NEW PARTS AS AN ASSEMBLY	A B C	2

- ITEM NOT ILLUSTRATED

EFF MODEL A PT6A-27 B PT6A-28 C PT6A-21	EFF MODEL	EFF MODEL
--	-----------	-----------

**74-10-00**  
**Figure 3**  
Page 3/4  
Aug 27/2004

