

**PRATT & WHITNEY CANADA**  
**ILLUSTRATED PARTS CATALOG**  
**MANUAL PART NO. 3013244**

LIST OF EFFECTIVE PAGES

<u>CHAPTER SECTION</u>	<u>PAGE</u>	<u>DATE</u>
LEP	1	Aug 27/2004
	2 blank	Aug 27/2004
Contents	1	Aug 27/2004
	2 blank	Aug 27/2004
74-00-00 Figure 1	1	Aug 27/2004
	2	Aug 27/2004
	3	Aug 27/2004
	4	Aug 27/2004
	5	Aug 27/2004
	6	Aug 27/2004
74-00-00 Figure 2	1	Aug 27/2004
	2	Aug 27/2004
	3	Aug 27/2004
	4	Aug 27/2004
	5	Aug 27/2004
	6	Aug 27/2004
	7	Aug 27/2004
	8 blank	Aug 27/2004



**PRATT & WHITNEY CANADA**  
**ILLUSTRATED PARTS CATALOG**  
**MANUAL PART NO. 3013244**

TABLE OF CONTENTS

<u>TITLE</u>	<u>CH/SE/SU</u>	<u>FIGURE</u>
Ignition Current Regulator Installation (Pre-SB1196)	74-00-00	1
Ignition Exciter Installation (Post-SB1196)	74-00-00	2



# Ignition Current Regulator Installation (Pre-SB1196)

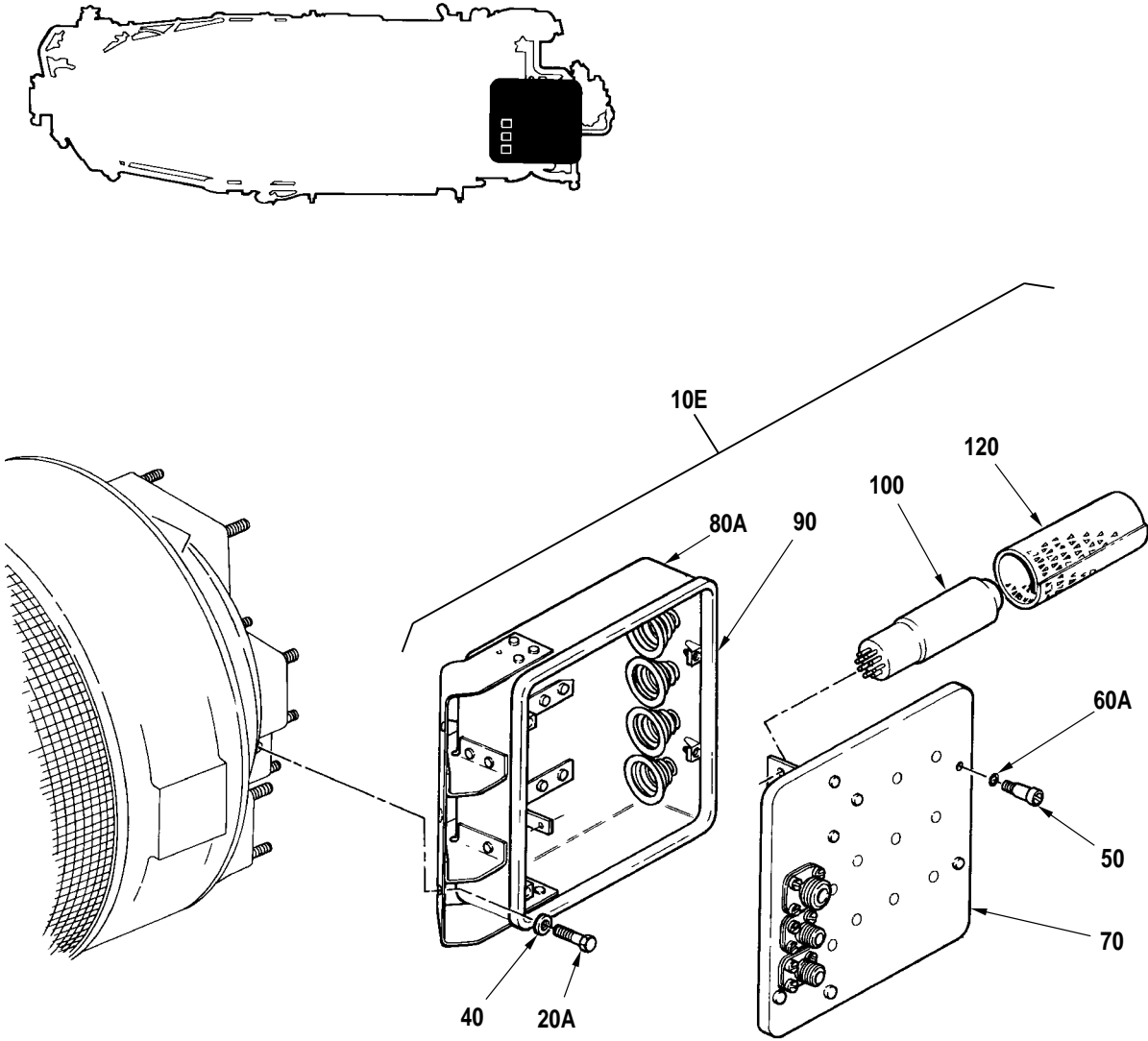
**74-00-00**

**Figure 1**

Page 1

Aug 27/2004

PRATT & WHITNEY CANADA  
ILLUSTRATED PARTS CATALOG  
MANUAL PART NO. 3013244



Ignition Current Regulator Installation (Pre-SB1196)  
Figure 1

C52061B

**74-00-00**

**Figure 1**

Page 2

Aug 27/2004

**PRATT & WHITNEY CANADA**  
**ILLUSTRATED PARTS CATALOG**  
**MANUAL PART NO. 3013244**

FIG. ITEM	PART NUMBER	AIRLINE PART NUMBER	NOMENCLATURE	EFFECT CODE	UNITS PER ASSY
1			1234567		
- 1			IGNITION CURRENT REGULATOR INSTALLATION (PRE-SB1196) SEE 72-00-00 FIG. 1 FOR NHA	A B C	REF
- 10	3010975		.REGULATOR ASSEMBLY, IGNITION CURRENT PRE-SB1196 INTRCHG WITH P/N 3014057 RESTRICTED INTERCHANGEABILITY WITH P/N 3032168. REFER TO APPLICABLE SERVICE BULLETIN. SEE NOTE 1 AND 2	A	1
- 10A	3014057		.REGULATOR ASSEMBLY, IGNITION CURRENT PRE-SB1196 INTRCHG WITH P/N 3014056 RESTRICTED INTERCHANGEABILITY WITH P/N 3032168. REFER TO APPLICABLE SERVICE BULLETIN. SEE NOTE 1 AND 2	A B	1
- 10B	3014056		.REGULATOR ASSEMBLY, IGNITION CURRENT POST-SB1103 PRE-SB1196 INTRCHG WITH P/N 3016064 RESTRICTED INTERCHANGEABILITY WITH P/N 3032168. REFER TO APPLICABLE SERVICE BULLETIN. SEE NOTE 1 AND 2	A B	1
- 10C	3016064		.REGULATOR ASSEMBLY, IGNITION CURRENT PRE-SB1196 INTRCHG WITH P/N 3020486 RESTRICTED INTERCHANGEABILITY WITH P/N 3032168. REFER TO APPLICABLE SERVICE BULLETIN. SEE NOTE 1 AND 2	A B	1
- 10D	3020486		.REGULATOR ASSEMBLY, IGNITION CURRENT PRE-SB1196 INTRCHG WITH P/N 3021095 RESTRICTED INTERCHANGEABILITY WITH P/N 3032168. REFER TO APPLICABLE SERVICE BULLETIN. SEE NOTE 1 AND 2	A B	1

CONTINUED

- ITEM NOT ILLUSTRATED

EFF MODEL A PT6A-27 B PT6A-28 C PT6A-21	EFF MODEL	EFF MODEL
--	-----------	-----------

**74-00-00**  
**Figure 1**  
Page 3  
Aug 27/2004

**PRATT & WHITNEY CANADA**  
**ILLUSTRATED PARTS CATALOG**  
**MANUAL PART NO. 3013244**

FIG. ITEM	PART NUMBER	AIRLINE PART NUMBER	NOMENCLATURE	EFFECT CODE	UNITS PER ASSY
1			1234567		
10E	3021095		.REGULATOR ASSEMBLY, IGNITION CURRENT FOR ENGINES BUILT TO BS307, BS321, BS324, BS325, BS330, BS367, BS374, BS392, BS393, BS410, BS414, BS423 FOR ENGINES BUILT TO BS346, BS365, BS473, BS485 FOR ENGINES BUILT TO BS486 POST-SB1103 PRE-SB1196 PRE-PT6A SPB NO.96 RESTRICTED INTERCHANGEABILITY WITH P/N 3032168. REFER TO APPLICABLE SERVICE BULLETIN. TWO-WAY INTRCHG WITH P/N 3058108-01 SEE NOTE 1 AND 2	A B C	1
- 10F	3058108-01		.REGULATOR ASSEMBLY, IGNITION CURRENT FOR ENGINES BUILT TO BS307, BS321, BS324, BS325, BS330, BS367, BS374, BS392, BS393, BS410, BS414, BS423 FOR ENGINES BUILT TO BS346, BS365, BS473, BS485 FOR ENGINES BUILT TO BS486 POST-PT6A SPB NO.96 SEE NOTE 1	A B C	1
- 20	3012141		ATTACHING PARTS .BOLT, MACHINE, DRD HEX USE WITH P/N 3016064, 3020486 AND 3021095 PRE-SB1196 INTRCHG WITH P/N MS9529-08	A B C	3
20A	MS9529-08		.BOLT, MACHINE, DRD HEX FOR ENGINES BUILT TO BS307, BS321, BS324, BS325, BS330, BS367, BS374, BS392, BS393, BS410, BS414, BS423 FOR ENGINES BUILT TO BS346, BS365, BS473, BS485 FOR ENGINES BUILT TO BS486 USE WITH P/N 3016064, 3020486 AND 3021095 POST-SB1196	A B C	3

CONTINUED

- ITEM NOT ILLUSTRATED

EFF MODEL A PT6A-27 B PT6A-28 C PT6A-21	EFF MODEL	EFF MODEL
--	-----------	-----------

**74-00-00**

**Figure 1**

Page 4

Aug 27/2004



**PRATT & WHITNEY CANADA**  
**ILLUSTRATED PARTS CATALOG**  
**MANUAL PART NO. 3013244**

FIG. ITEM	PART NUMBER	AIRLINE PART NUMBER	1234567 NOMENCLATURE	EFFECT CODE	UNITS PER ASSY
1					
- 30	3012370		.BOLT, MACHINE, DRD HEX USE WITH P/N 3010975, 3014056 AND 3014057 INTRCHG WITH P/N MS9529-09	A B C	3
- 30A	MS9529-09		.BOLT, MACHINE, DRD HEX USE WITH P/N 3010975, 3014056 AND 3014057	A B C	3
40	MS9320-09		.WASHER, FLAT FOR ENGINES BUILT TO BS307, BS321, BS324, BS325, BS330, BS367, BS374, BS392, BS393, BS410, BS414, BS423 FOR ENGINES BUILT TO BS346, BS365, BS473, BS485 FOR ENGINES BUILT TO BS486 PRE-SB1196 INTRCHG WITH P/N MS9549-09 SEE NOTE 2  -----*-----	A B C	3
50	3010051		..SCREW, SHOULDERED	A B C	4
- 60	3008705		..PACKING, PREFORMED INTRCHG WITH P/N MS9388-007	A B C	4
60A	MS9388-007		..PACKING, PREFORMED INTRCHG WITH P/N AS3209-007	A B C	4
- 60B	AS3209-007		..PACKING, PREFORMED	A B C	4
70	3010965		..COVER ASSEMBLY, IGNITION CURRENT REGULATOR	A B C	1
- 80	3010970		..BOX ASSEMBLY, IGNITION CURRENT REGULATOR COMPONENT OF P/N 3010975, 3014056 AND 3014057	A B	1
80A	3015270		..BOX ASSEMBLY, IGNITION CURRENT REGULATOR COMPONENT OF P/N 3016064, 3020486 AND 3021095	A B C	1
90	3010973		...SEAL, REGULATOR BOX	A B C	1

CONTINUED

- ITEM NOT ILLUSTRATED

EFF MODEL A PT6A-27 B PT6A-28 C PT6A-21	EFF MODEL	EFF MODEL
--	-----------	-----------

**74-00-00**

**Figure 1**

Page 5

Aug 27/2004

**PRATT & WHITNEY CANADA**  
**ILLUSTRATED PARTS CATALOG**  
**MANUAL PART NO. 3013244**

FIG. ITEM	PART NUMBER	AIRLINE PART NUMBER	NOMENCLATURE	EFFECT CODE	UNITS PER ASSY
1			1234567		
100	3008040		..RESISTOR, CURRENT REGULATING (FOUR USED WITH P/N 3010975 AND 3016064, ASSEMBLED IN POSITION A & B; TWO USED WITH P/N 3014056 AND 3021095, ASSEMBLED IN POSITION B)	A B C	2
- 110	3014055		..RESISTOR, CURRENT REGULATING (TWO USED WITH P/N 3014056 AND 3021095, ASSEMBLED IN POSITION A; FOUR USED WITH P/N 3014057 AND 3020486, ASSEMBLED IN POSITION A & B)	A B C	2
120	3012469		..CUSHION OPTION (IC) (IC) CONSISTS OF:	A B C	4
	3012468		...CUSHION, CURRENT REGULATING RESISTOR		AR
	3008245		...CUSHION, CURRENT REGULATING RESISTOR		AR
			NOTE 1: FOR COMPLETE BREAKDOWN AND ADDITIONAL INFORMATION REFER TO P&WC ACCESSORY OVERHAUL MANUAL P/N 74-10-01 (3020521)		
			NOTE 2: ALL OLD PARTS MUST BE REPLACED BY ALL NEW PARTS AS AN ASSEMBLY		

- ITEM NOT ILLUSTRATED

EFF MODEL A PT6A-27 B PT6A-28 C PT6A-21	EFF MODEL	EFF MODEL
--	-----------	-----------

**74-00-00**  
**Figure 1**  
Page 6  
Aug 27/2004

# Ignition Exciter Installation (Post-SB1196)

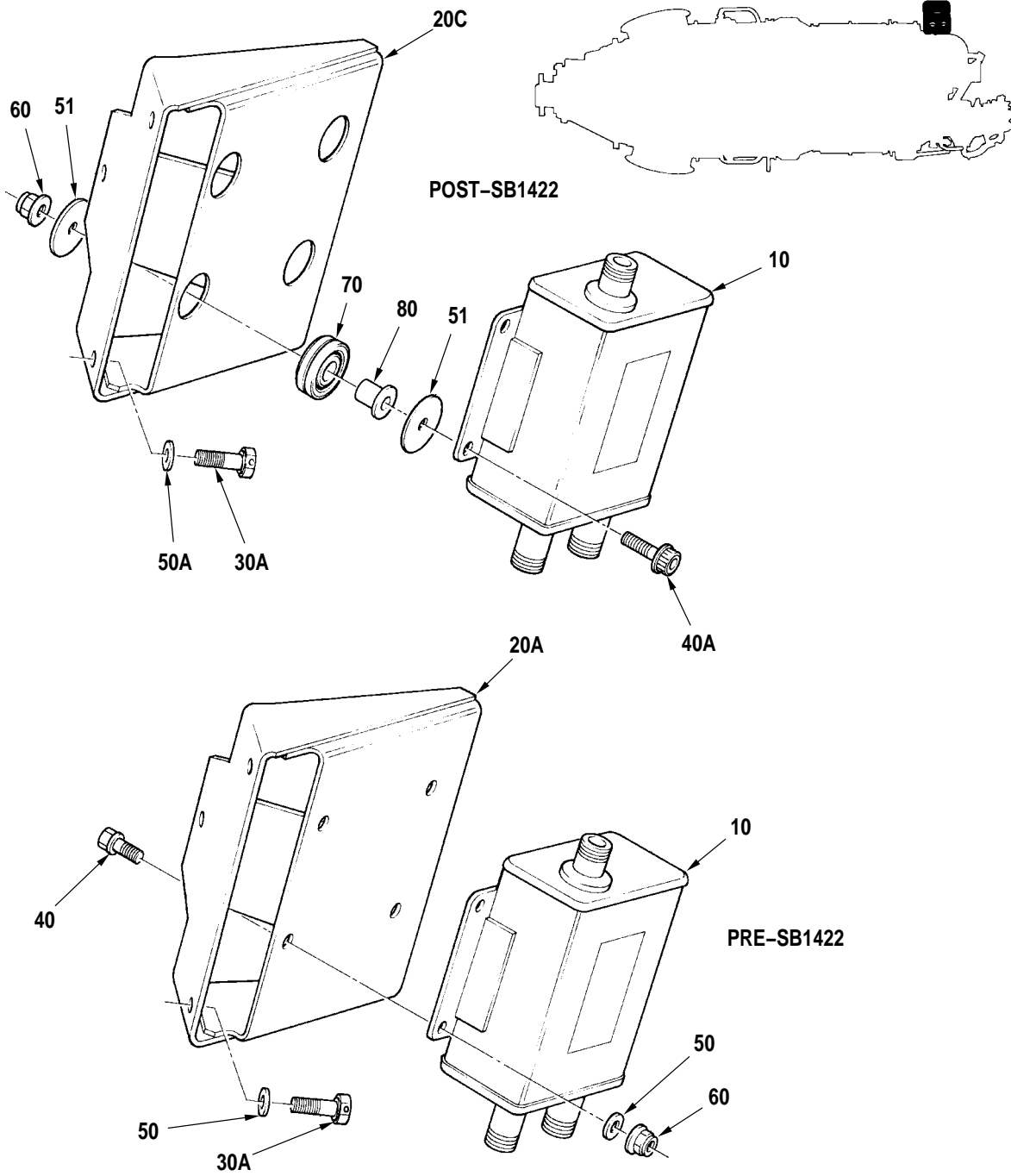
**74-00-00**

**Figure 2**

Page 1

Aug 27/2004

PRATT & WHITNEY CANADA  
ILLUSTRATED PARTS CATALOG  
MANUAL PART NO. 3013244



Ignition Exciter Installation (Post-SB1196)  
Figure 2

C52062C

**74-00-00**

**Figure 2**

Page 2

Aug 27/2004

**PRATT & WHITNEY CANADA**  
**ILLUSTRATED PARTS CATALOG**  
**MANUAL PART NO. 3013244**

FIG. ITEM	PART NUMBER	AIRLINE PART NUMBER	NOMENCLATURE	EFFECT CODE	UNITS PER ASSY
2			1234567		
- 1			IGNITION EXCITER INSTALLATION POST-SB1196 SEE 72-00-00 FIG. 1 FOR NHA	A B C	REF
10	10-381550-1B		.IGNITION EXCITER SUPPLIER CODE: 59501 P&WC P/N: 3014365 SEE NOTE 1 INTRCHG WITH P/N 10-381550-1C	A B C	1
- 10A	10-381550-1C		.IGNITION EXCITER SUPPLIER CODE: 59501 P&WC P/N: 3014365A SEE NOTE 1 INTRCHG WITH P/N 10-381550-1E	A B C	1
- 10B	10-381550-1E		.IGNITION EXCITER SUPPLIER CODE: 59501 P&WC P/N: 3014365C SEE NOTE 1 INTRCHG WITH P/N 10-381550-1F	A B C	1
- 10C	10-381550-1F		.IGNITION EXCITER SUPPLIER CODE: 59501 P&WC P/N: 3014365E SEE NOTE 1 INTRCHG WITH P/N 10-381550-1G	A B C	1
- 10D	10-381550-1G		.IGNITION EXCITER SUPPLIER CODE: 59501 P&WC P/N: 3014365F SEE NOTE 1 INTRCHG WITH P/N 10-381550-1H	A B C	1
- 10E	10-381550-1H		.IGNITION EXCITER SUPPLIER CODE: 59501 P&WC P/N: 3014365G SEE NOTE 1 INTRCHG WITH P/N 10-381550-1J	A B C	1
- 10F	3032168		.IGNITION EXCITER OPTION (IC) FOR ENGINES BUILT TO BS622, BS624, BS801, BS877, BS954 FOR ENGINES BUILT TO BS418, BS419, BS475, BS570, BS610 FOR ENGINES BUILT TO BS571, BS671, BS1141 SEE NOTE 6 POST-SB1196 (IC) CONSISTS OF:	A B C	1
	10-381550-1J		..IGNITION EXCITER SUPPLIER CODE: 59501 P&WC P/N: 3014365H SEE NOTE 1		AR

CONTINUED

- ITEM NOT ILLUSTRATED

EFF MODEL A PT6A-27 B PT6A-28 C PT6A-21	EFF MODEL	EFF MODEL
--	-----------	-----------

**74-00-00**  
**Figure 2**  
Page 3  
Aug 27/2004

**PRATT & WHITNEY CANADA**  
**ILLUSTRATED PARTS CATALOG**  
**MANUAL PART NO. 3013244**

FIG. ITEM	PART NUMBER	AIRLINE PART NUMBER	NOMENCLATURE	EFFECT CODE	UNITS PER ASSY
			1234567		
2	83311-49930H		..IGNITION EXCITER SUPPLIER CODE: 83311 P&WC P/N: 3032167B SEE NOTE 2 INTRCHG WITH P/N 10-381550-1J		AR
- 10G	10-381550-1J		.IGNITION EXCITER SUPPLIER CODE: 59501 P&WC P/N: 3014365H SEE NOTE 1	A B C	1
- 10H	3037946		.IGNITION EXCITER OPTION (IC) FOR ENGINES BUILT TO BS622, BS624, BS801, BS877, BS954 FOR ENGINES BUILT TO BS418, BS419, BS475, BS570, BS610 FOR ENGINES BUILT TO BS571, BS671, BS1141 PRE-PT6A SPB NO.44 (IC) CONSISTS OF:	A B C	1
	10-381550-4		..IGNITION EXCITER SUPPLIER CODE: 59501 P&WC P/N: 3035889 SEE NOTE 4		AR
	83311-49930H		..IGNITION EXCITER SUPPLIER CODE: 83311 P&WC P/N: 3032167B SEE NOTE 2 INTRCHG WITH P/N 10-381550-4		AR
- 10J	10-381550-4		.IGNITION EXCITER FOR ENGINES BUILT TO BS622, BS624, BS801, BS877, BS954 FOR ENGINES BUILT TO BS418, BS419, BS475, BS570, BS610 FOR ENGINES BUILT TO BS571, BS671, BS1141 SUPPLIER CODE: 59501 P&WC P/N: 3035889 SEE NOTE 4 POST-PT6A SPB NO.44 PRE-SB1611R1 TWO-WAY INTRCHG WITH P/N CH92015-1	A B C	1
- 10K	CH92015-1		.IGNITION EXCITER FOR ENGINES BUILT TO BS788 SUPPLIER CODE: OAFL4 P&WC P/N: 3043937-04 POST-SB1611R1 SEE NOTE 5	C	1

CONTINUED

- ITEM NOT ILLUSTRATED

EFF MODEL A PT6A-27 B PT6A-28 C PT6A-21	EFF MODEL	EFF MODEL
--	-----------	-----------

**74-00-00**

**Figure 2**

Page 4

Aug 27/2004

**PRATT & WHITNEY CANADA**  
**ILLUSTRATED PARTS CATALOG**  
**MANUAL PART NO. 3013244**

FIG. ITEM	PART NUMBER	AIRLINE PART NUMBER	1234567 NOMENCLATURE	EFFECT CODE	UNITS PER ASSY
2					
- 20	3019071		.BRACKET ASSEMBLY, IGNITION EXCITER FOR ENGINES BUILT TO BS622, BS624, BS801, BS877, BS954 FOR ENGINES BUILT TO BS418, BS419, BS475, BS570, BS610 FOR ENGINES BUILT TO BS1141 SEE NOTE 6 POST-SB1196 PRE-SB1422 INTRCHG WITH P/N 3105162-01 INTRCHG WITH P/N 3029356	A B C	1
20A	3029356		.BRACKET ASSEMBLY, IGNITION EXCITER FOR ENGINES BUILT TO BS571, BS671, BS788 POST-SB1337 PRE-SB1422 INTRCHG WITH P/N 3035938	B C	1
- 20B	3105162-01		.BRACKET ASSEMBLY, IGNITION EXCITER MAY BE OBTAINED BY REWORK OF P/N 3019071 SEE NOTE 6 POST-SB1422	A B C	1
20C	3035938		.BRACKET ASSEMBLY, IGNITION EXCITER MAY BE OBTAINED BY REWORK OF P/N 3029356 SEE NOTE 6 POST-SB1422	B C	1
- 30	3012141		ATTACHING PARTS .BOLT, MACHINE, DRD HEX 0.190-32UNJF X 0.625 SEE NOTE 2 PRE-SB1196 INTRCHG WITH P/N MS9529-08	A B C	3
30A	MS9529-08		.BOLT, MACHINE, DRD HEX FOR ENGINES BUILT TO BS622, BS624, BS801, BS877, BS954 FOR ENGINES BUILT TO BS418, BS419, BS475, BS570, BS610 FOR ENGINES BUILT TO BS571, BS671, BS1141 SEE NOTE 2 POST-SB1196	A B C	3

CONTINUED

- ITEM NOT ILLUSTRATED

EFF MODEL A PT6A-27 B PT6A-28 C PT6A-21	EFF MODEL	EFF MODEL
--	-----------	-----------

**74-00-00**  
**Figure 2**  
Page 5  
Aug 27/2004

**PRATT & WHITNEY CANADA**  
**ILLUSTRATED PARTS CATALOG**  
**MANUAL PART NO. 3013244**

FIG. ITEM	PART NUMBER	AIRLINE PART NUMBER	NOMENCLATURE	EFFECT CODE	UNITS PER ASSY
2			1234567		
40	MS9518-06		.BOLT, MACHINE, DBL HEX FOR ENGINES BUILT TO BS622, BS624, BS801, BS877, BS954 FOR ENGINES BUILT TO BS418, BS419, BS475, BS570, BS610 FOR ENGINES BUILT TO BS571, BS671, BS788, BS1141 PRE-SB1422 INTRCHG WITH P/N MS9932-14	A B C	4
40A	MS9932-14		.BOLT, MACHINE, DBL HEX SEE NOTE 6 POST-SB1422	A B C	4
50	MS9549-09		.WASHER, FLAT FOR ENGINES BUILT TO BS622, BS624, BS801, BS877, BS954 FOR ENGINES BUILT TO BS418, BS419, BS475, BS570, BS610 FOR ENGINES BUILT TO BS571, BS671, BS788, BS1141 PRE-SB1422 INTRCHG WITH P/N 3025561	A B C	7
50A	MS9549-09		.WASHER, FLAT FOR ENGINES BUILT TO BS571, BS671, BS1141 SEE NOTE 6 POST-SB1422	A B C	3
51	3025561		.WASHER, FLAT SEE NOTE 6 POST-SB1422 REFER TO PARTS SUBSTITUTION LIST IN INTRODUCTION	A B C	8
60	3012675		.NUT OPTION (IC) FOR ENGINES BUILT TO BS622, BS624, BS801, BS877, BS954 FOR ENGINES BUILT TO BS418, BS419, BS475, BS570, BS610 FOR ENGINES BUILT TO BS571, BS671, BS788, BS1141 SEE TABLE FOR OPTIONAL PART NUMBERS	A B C	4
70	3030281		.MOUNT, VIBRATION ABSORBER SEE NOTE 6	A B C	4
80	3030282		.SLEEVE, FLANGED SEE NOTE 6	A B C	4
CONTINUED					

- ITEM NOT ILLUSTRATED

EFF MODEL	EFF MODEL	EFF MODEL
A PT6A-27		
B PT6A-28		
C PT6A-21		

**74-00-00**

**Figure 2**

Page 6

Aug 27/2004



**PRATT & WHITNEY CANADA**  
**ILLUSTRATED PARTS CATALOG**  
**MANUAL PART NO. 3013244**

FIG. ITEM	PART NUMBER	AIRLINE PART NUMBER	NOMENCLATURE	EFFECT CODE	UNITS PER ASSY
2			1234567  <u>NOTE 1:</u> FOR COMPLETE BREAKDOWN AND ADDITIONAL INFORMATION REFER TO COMPONENT MAINTENANCE MANUAL WITH IPL P/N 49-41-02  <u>NOTE 2:</u> FOR COMPLETE BREAKDOWN AND ADDITIONAL INFORMATION REFER TO B. F. GOODRICH AEROSPACE ACCESSORY OVERHAUL MANUAL P/N 74-10-01  <u>NOTE 3:</u> DELETED  <u>NOTE 4:</u> FOR COMPLETE BREAKDOWN AND ADDITIONAL INFORMATION REFER TO HONEYWELL ACCESSORY OVERHAUL MANUAL P/N 74-10-42  <u>NOTE 5:</u> FOR COMPLETE BREAKDOWN AND ADDITIONAL INFORMATION REFER TO CHAMPION COMPONENT MAINTENANCE MANUAL P/N 74-11-03  <u>NOTE 6:</u> ALL OLD PARTS MUST BE REPLACED BY ALL NEW PARTS AS AN ASSEMBLY  <u>NOTE 7:</u> DELETED		

- ITEM NOT ILLUSTRATED

EFF MODEL	EFF MODEL	EFF MODEL

**74-00-00**

**Figure 2**

Page 7/8

Aug 27/2004

