

PRATT & WHITNEY CANADA
ILLUSTRATED PARTS CATALOG
MANUAL PART NO. 3013244

LIST OF EFFECTIVE PAGES

<u>CHAPTER SECTION</u>	<u>PAGE</u>	<u>DATE</u>	<u>CHAPTER SECTION</u>	<u>PAGE</u>	<u>DATE</u>	
LEP	1	Aug 27/2004		5	Aug 27/2004	
	2	Aug 27/2004		6	Aug 27/2004	
Contents	1	Aug 27/2004		7	Aug 27/2004	
	2	blank		8	blank	
72-60-00 Figure 1	1	Aug 27/2004	72-60-00	1	Aug 27/2004	
	2	Aug 27/2004	Figure 5	2	Aug 27/2004	
	3	Aug 27/2004		3	Aug 27/2004	
	4	Aug 27/2004		4	Aug 27/2004	
	5	Aug 27/2004		5	Aug 27/2004	
	6	Aug 27/2004		6	Aug 27/2004	
	7	Aug 27/2004		7	Aug 27/2004	
	8	Aug 27/2004		8	Aug 27/2004	
	9	Aug 27/2004		9	Aug 27/2004	
	10	Aug 27/2004		10	Aug 27/2004	
	11	Aug 27/2004				
	12	Aug 27/2004		72-60-00	1	Aug 27/2004
72-60-00 Figure 2	1	Aug 27/2004	Figure 6	2	Aug 27/2004	
	2	Aug 27/2004		3	Aug 27/2004	
	3	Aug 27/2004		4	Aug 27/2004	
	4	Aug 27/2004		5	Aug 27/2004	
	5	deleted		6	Aug 27/2004	
	6	deleted		7	Aug 27/2004	
72-60-00 Figure 3	1	Aug 27/2004		8	Aug 27/2004	
	2	Aug 27/2004		9	Aug 27/2004	
	3	Aug 27/2004		10	blank	
	4	Aug 27/2004				
	5	Aug 27/2004		72-60-00	1	Aug 27/2004
	6	Aug 27/2004		Figure 7	2	Aug 27/2004
	7	Aug 27/2004			3	Aug 27/2004
	8	Aug 27/2004			4	Aug 27/2004
	9	Aug 27/2004				
	10	blank		72-60-00	1	Aug 27/2004
72-60-00 Figure 4	1	Aug 27/2004	Figure 8	2	Aug 27/2004	
	2	Aug 27/2004		3	Aug 27/2004	
	3	Aug 27/2004		4	Aug 27/2004	
	4	Aug 27/2004		5	Aug 27/2004	
				6	Aug 27/2004	
				7	Aug 27/2004	
				8	Aug 27/2004	
				9	Aug 27/2004	

PRATT & WHITNEY CANADA
ILLUSTRATED PARTS CATALOG
MANUAL PART NO. 3013244

LIST OF EFFECTIVE PAGES

<u>CHAPTER SECTION</u>	<u>PAGE</u>	<u>DATE</u>
	10	Aug 27/2004
72-60-00	1	Aug 27/2004
Figure 9	2	Aug 27/2004
	3	Aug 27/2004
	4	Aug 27/2004
72-60-00	1	Aug 27/2004
Figure 10	2	Aug 27/2004
	3	Aug 27/2004
	4	Aug 27/2004
	5	Aug 27/2004
	6	Aug 27/2004
	7	Aug 27/2004
	8 blank	Aug 27/2004

PRATT & WHITNEY CANADA
ILLUSTRATED PARTS CATALOG
MANUAL PART NO. 3013244

TABLE OF CONTENTS

<u>TITLE</u>	<u>CH/SE/SU</u>	<u>FIGURE</u>
Diaphragm Assembly, Accessory Gearbox	72-60-00	7
Gearbox Assembly, Accessory - External Components	72-60-00	1
Gearbox Assembly, Accessory - Gearshaft Assembly, Accessory Drive	72-60-00	4
Gearbox Assembly, Accessory - Gearshaft Drive and Components, Scavenge Pump	72-60-00	5
Gearbox Assembly, Accessory - Internal Transfer Tubes	72-60-00	2
Gearbox Assembly, Accessory - Pump, Oil Scavenge	72-60-00	6
Gearbox Assembly, Accessory - Shaft, Coupling and Internal Components	72-60-00	3
Housing Assembly, Accessory Gearbox	72-60-00	8
Oil Filler Cap and Dipstick Assembly Installation	72-60-00	10
Pressure Relief Valve	72-60-00	9

Gearbox Assembly, Accessory - External Components

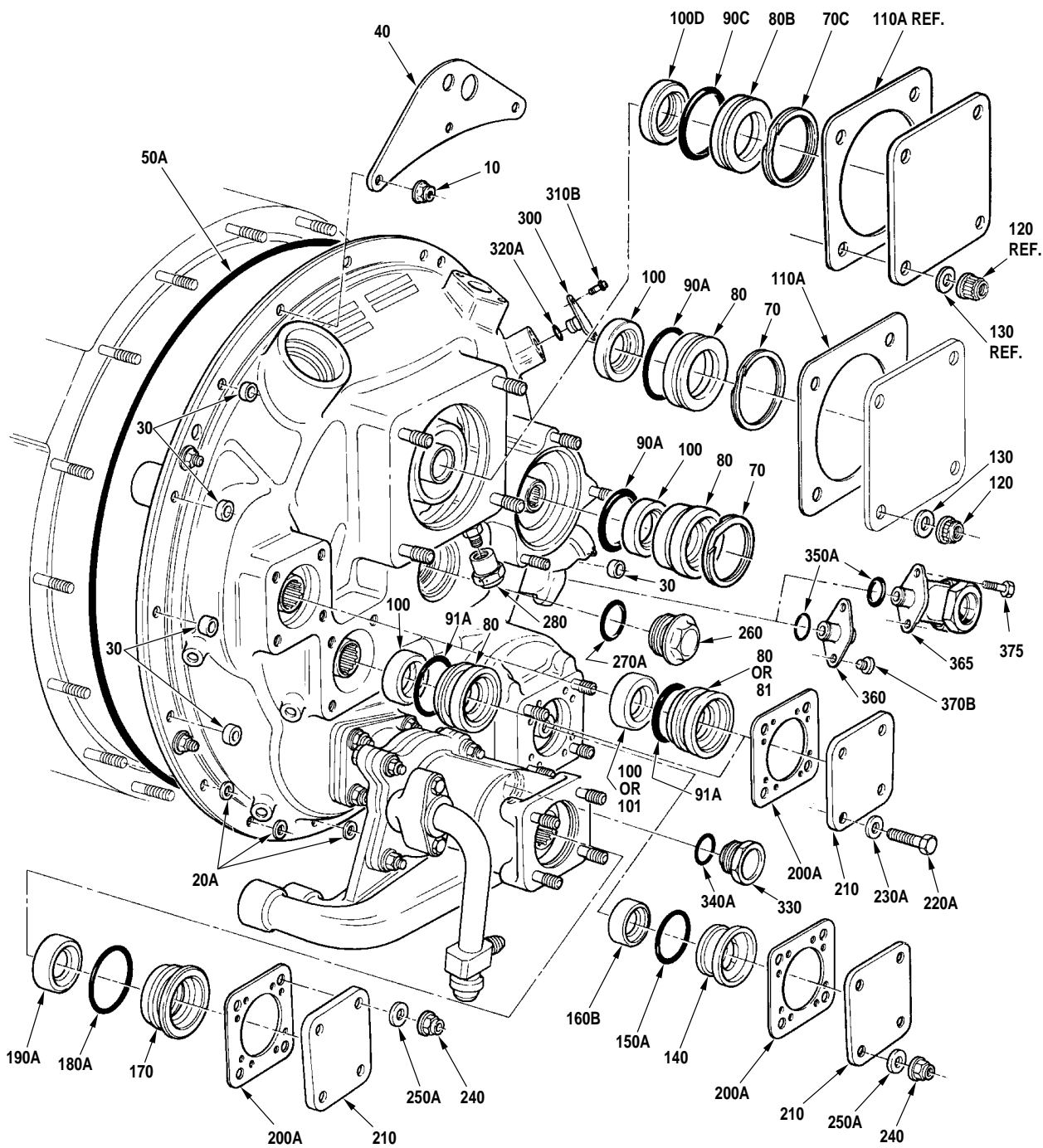
72-60-00

Figure 1

Page 1

Aug 27/2004

PRATT & WHITNEY CANADA
ILLUSTRATED PARTS CATALOG
MANUAL PART NO. 3013244



Gearbox Assembly, Accessory - External Components
Figure 1

C52043E
72-60-00
Figure 1
Page 2
Aug 27/2004

PRATT & WHITNEY CANADA
ILLUSTRATED PARTS CATALOG
MANUAL PART NO. 3013244

FIG. ITEM	PART NUMBER	AIRLINE PART NUMBER	NOMENCLATURE	EFFECT CODE	UNITS PER ASSY
1			1234567		
- 1	3011810		GEARBOX ASSEMBLY, ACCESSORY BREAKDOWN CONTINUED ON FIG. 2 THROUGH FIG. 6 SEE 72-00-00 FIG. 1 FOR NHA ATTACHING PARTS	A B C	REF
10	3012675		.NUT OPTION (IC) SEE TABLE FOR OPTIONAL PART NUMBERS	A B C	12
- 20	AN122581		.WASHER, PLAIN INTRCHG WITH P/N MS9320-09	A B C	3
20A	MS9320-09		.WASHER, FLAT (TWO FITTED TO PT6A-21)	A B C	3
30	3008891		.SPACER, FLAT	A B C	5
40	3011491		.BRACKET, FLAT, ENGINE, LIFTING, REAR	A B C	1
			-----*-----		
- 50	3001900		.PACKING, PREFORMED INTRCHG WITH P/N MS9388-280	A B C	1
50A	MS9388-280		.PACKING, PREFORMED INTRCHG WITH P/N AS3209-280	A B C	1
- 50B	AS3209-280		.PACKING, PREFORMED	A B C	1
60	DELETED				
70	3004721		.RING, RETAINING INTRCHG WITH P/N AS3217-145	A B C	2
- 70A	AS3217-145		.RING, RETAINING FOR ENGINES BUILT TO BS392, BS414, BS622, BS624, BS877, BS954 FOR ENGINES BUILT TO BS418, BS475, BS610	A B C	2
- 70B	AS3217-145		.RING, RETAINING FOR ENGINES BUILT TO BS571 SEE NOTE 1	C	1

CONTINUED

- ITEM NOT ILLUSTRATED

EFF MODEL A PT6A-27 B PT6A-28 C PT6A-21	EFF MODEL	EFF MODEL
--	-----------	-----------

72-60-00
Figure 1
Page 3
Aug 27/2004

PRATT & WHITNEY CANADA
ILLUSTRATED PARTS CATALOG
MANUAL PART NO. 3013244

FIG. ITEM	PART NUMBER	AIRLINE PART NUMBER	NOMENCLATURE	EFFECT CODE	UNITS PER ASSY
1			1234567		
70C	AS3215-128		.RING, RETAINING FOR ENGINES BUILT TO BS801 FOR ENGINES BUILT TO BS671, BS788, BS1141 SEE NOTE 1	A B C	1
80	3004085		.CARRIER, OIL SEAL FOR ENGINES BUILT TO BS321, BS330, BS362, BS374, BS392, BS410, BS414, BS423, BS622, BS624, BS801, BS954 FOR ENGINES BUILT TO BS346, BS418, BS475, BS610 SEE NOTE 2 AND 3	A B C	4
- 80A	3004085		.CARRIER, OIL SEAL FOR ENGINES BUILT TO BS571, BS1141 SEE NOTE 1	C	3
80B	3015863		.CARRIER, OIL SEAL FOR ENGINES BUILT TO BS801 FOR ENGINES BUILT TO BS671, BS788, BS1141 SEE NOTE 1	A B C	1
- 80C	3103951-01		.CARRIER, OIL SEAL POST-SB1386	A B C	1
81	3014341		.RETAINER, OIL SEAL SEE NOTE 4	A	1
- 90	3001645		.PACKING, PREFORMED INTRCHG WITH P/N MS9388-029	A B	2
90A	MS9388-029		.PACKING, PREFORMED INTRCHG WITH P/N AS3209-029	A B	2
- 90B	MS9388-029		.PACKING, PREFORMED INTRCHG WITH P/N AS3209-029	C	1
- 90C	AS3209-029		.PACKING, PREFORMED FOR ENGINES BUILT TO BS330 FOR ENGINES BUILT TO BS346 1.489 X 0.070 (USED WITH A DRY SPLINE) INTRCHG WITH P/N AS3209-030	A B C	2

CONTINUED

- ITEM NOT ILLUSTRATED

EFF MODEL A PT6A-27 B PT6A-28 C PT6A-21	EFF MODEL	EFF MODEL
--	-----------	-----------

72-60-00
Figure 1
Page 4
Aug 27/2004

PRATT & WHITNEY CANADA
ILLUSTRATED PARTS CATALOG
MANUAL PART NO. 3013244

FIG. ITEM	PART NUMBER	AIRLINE PART NUMBER	NOMENCLATURE	EFFECT CODE	UNITS PER ASSY
			1234567		
1					
- 90D	AS3209-030		.PACKING, PREFORMED FOR ENGINES BUILT TO BS801 FOR ENGINES BUILT TO BS671, BS788, BS1141 1.614 X 0.070 COMPONENT OF P/N 3024295 STARTER GENERATOR DRIVE BOSS (USED WITH A WET SPLINE) SEE NOTE 1 INTRCHG WITH P/N AS3209-029	A B C	1
- 90E	AS3209-029		.PACKING, PREFORMED FOR ENGINES BUILT TO BS392, BS414, BS622, BS624, BS877, BS954 FOR ENGINES BUILT TO BS418, BS475, BS610 FOR ENGINES BUILT TO BS571 1.489 X 0.070 (USED WITH A DRY SPLINE)	A B C	1
- 91	3001645		.PACKING, PREFORMED INTRCHG WITH P/N MS9388-029	A B	2
91A	MS9388-029		.PACKING, PREFORMED INTRCHG WITH P/N AS3209-029	A B	2
- 91B	AS3209-029		.PACKING, PREFORMED FOR ENGINES BUILT TO BS321, BS362, BS374, BS410, BS423, BS622, BS801, BS954 FOR ENGINES BUILT TO BS418, BS475, BS610 FOR ENGINES BUILT TO BS1141 1.489 X 0.070 (USED WITH A DRY SPLINE) NONINTR WITH P/N AS3209-030	A B C	2
100	3012473		.SEAL, PLAIN INTRCHG WITH P/N 3015537 SEE NOTE 2	A B C	4
- 100A	3015537		.SEAL OPTION (IC) SEE NOTE 2 POST-SB1083 INTRCHG WITH P/N 3022375 (IC) CONSISTS OF:	A B C	4
	3015524		..SEAL, PLAIN		AR
	3015536		..SEAL, PLAIN		AR

CONTINUED

- ITEM NOT ILLUSTRATED

EFF MODEL A PT6A-27 B PT6A-28 C PT6A-21	EFF MODEL	EFF MODEL
--	-----------	-----------

72-60-00

Figure 1

Page 5

Aug 27/2004

PRATT & WHITNEY CANADA
ILLUSTRATED PARTS CATALOG
MANUAL PART NO. 3013244

FIG. ITEM	PART NUMBER	AIRLINE PART NUMBER	NOMENCLATURE	EFFECT CODE	UNITS PER ASSY
			1234567		
1					
- 100B	3022375		.SEAL, PLAIN FOR ENGINES BUILT TO BS321, BS330, BS362, BS374, BS410, BS423, BS622, BS801, BS954 FOR ENGINES BUILT TO BS346, BS418, BS475, BS610 SEE NOTE 2 PRE-SB1386	A B C	4
- 100C	3022375		.SEAL, PLAIN FOR ENGINES BUILT TO BS392, BS414, BS622, BS624, BS877, BS954 FOR ENGINES BUILT TO BS418, BS475, BS610 FOR ENGINES BUILT TO BS571, BS1141 SEE NOTE 1 PRE-SB1386	A B C	3
100D	3022376		.SEAL, PLAIN FOR ENGINES BUILT TO BS671, BS788, BS1141 SEE NOTE 1 POST-SB1386 PRE-SB1462 INTRCHG WITH P/N 3039408	C	1
- 100E	3022376		.SEAL, PLAIN FOR ENGINES BUILT TO BS801 POST-SB1386	A B C	1
- 100F	3039408		.SEAL, PLAIN 0.375 SHAFT DIA. X 1.460 X 0.340 POST-SB1462	C	1
101	3014340		.SEAL, PLAIN SEE NOTE 1	A	2
- 102	3105346-01		.SLEEVE, STARTER GENERATOR DRIVE POST-SB1386	A B C	NP
- 103	3105347-01		ATTACHING PARTS .PIN, LOCKING, SLEEVE POST-SB1386	A B C	NP
- 110	3009560		-----*----- .GASKET, STARTER GENERATOR INTRCHG WITH P/N MS9135-01	A B C	1

CONTINUED

- ITEM NOT ILLUSTRATED

EFF MODEL	EFF MODEL	EFF MODEL
A PT6A-27		
B PT6A-28		
C PT6A-21		

72-60-00

Figure 1

Page 6

Aug 27/2004

PRATT & WHITNEY CANADA
ILLUSTRATED PARTS CATALOG
MANUAL PART NO. 3013244

FIG. ITEM	PART NUMBER	AIRLINE PART NUMBER	1234567 NOMENCLATURE	EFFECT CODE	UNITS PER ASSY
1					
110A	MS9135-01		.GASKET, STARTER GENERATOR PRE-SB1481 TWO-WAY INTRCHG WITH P/N ST3277-01	A B C	1
- 110B	ST3277-01		.GASKET, STARTER GENERATOR POST-SB1481	A B C	1
120	3012155		.NUT, SELF-LOCKING, DBL HEX INTRCHG WITH P/N ST3066-11	A B C	4
- 120A	ST3066-11		.NUT OPTION (IC) SEE TABLE FOR OPTIONAL PART NUMBERS	A B C	4
130	MS9320-11		.WASHER, PLAIN	A B C	4
140	3003957		.CARRIER, OIL SEAL	A B C	1
- 150	3003822		.PACKING, PREFORMED INTRCHG WITH P/N MS9388-026	A B C	1
150A	MS9388-026		.PACKING, PREFORMED INTRCHG WITH P/N AS3209-026	A B C	1
- 150B	AS3209-026		.PACKING, PREFORMED	A B C	1
- 160	3006372		.SEAL, PLAIN INTRCHG WITH P/N 3012472	A B C	1
- 160A	3012472		.SEAL, PLAIN POST-SB1083 INTRCHG WITH P/N 3016576	A B C	1
160B	3016576		.SEAL OPTION (IC) POST-SB1083 INTRCHG WITH P/N 3022374 (IC) CONSISTS OF:	A B C	1
	3015523		..SEAL, PLAIN		AR
	3015534		..SEAL, PLAIN		AR
- 160C	3022374		.SEAL, PLAIN POST-SB1255	A B C	1

CONTINUED

- ITEM NOT ILLUSTRATED

EFF MODEL A PT6A-27 B PT6A-28 C PT6A-21	EFF MODEL	EFF MODEL
--	-----------	-----------

72-60-00

Figure 1

Page 7

Aug 27/2004

PRATT & WHITNEY CANADA
ILLUSTRATED PARTS CATALOG
MANUAL PART NO. 3013244

FIG. ITEM	PART NUMBER	AIRLINE PART NUMBER	NOMENCLATURE	EFFECT CODE	UNITS PER ASSY
			1234567		
1					
170	3007737		.RETAINER, OIL SEAL, FOR ENGINES BUILT TO BS307, BS321, BS324, BS325, BS367, BS392, BS393, BS414, BS622, BS624, BS801, BS877, BS954 FOR ENGINES BUILT TO BS365, BS418, BS419, BS473, BS485, BS570 (VACUUM PUMP DRIVE INSTALLED)	A B C	1
- 180	3001645		.PACKING, PREFORMED INTRCHG WITH P/N MS9388-029	A B C	1
180A	MS9388-029		.PACKING, PREFORMED (VACUUM PUMP DRIVE INSTALLED) INTRCHG WITH P/N AS3209-029	A B C	1
- 180B	AS3209-029		.PACKING, PREFORMED FOR ENGINES BUILT TO BS307, BS321, BS324, BS325, BS367, BS392, BS393, BS414, BS622, BS624, BS801, BS877, BS954 FOR ENGINES BUILT TO BS365, BS418, BS419, BS473, BS485, BS570 (USED WITH A DRY SPLINE) (VACUUM PUMP DRIVE INSTALLED)	A B C	1
- 190	3006374		.SEAL, PLAIN INTRCHG WITH P/N 3012473	A B C	1
190A	3012473		.SEAL, PLAIN, (VACUUM PUMP DRIVE INSTALLED) POST-SB1083 INTRCHG WITH P/N 3022375	A B C	1
- 190B	3022375		.SEAL, PLAIN FOR ENGINES BUILT TO BS307, BS321, BS324, BS325, BS367, BS392, BS393, BS414, BS622, BS624, BS801, BS877, BS954 FOR ENGINES BUILT TO BS365, BS418, BS419, BS473, BS485, BS570 (VACUUM PUMP DRIVE INSTALLED)	A B C	1
- 200	3009559		.GASKET, FOUR-HOLE INTRCHG WITH P/N MS9134-01	A B C	4
200A	MS9134-01		.GASKET, FOUR-HOLE PRE-SB1481 TWO-WAY INTRCHG WITH P/N ST3276-01	A B C	4

CONTINUED

- ITEM NOT ILLUSTRATED

EFF MODEL	EFF MODEL	EFF MODEL
A PT6A-27		
B PT6A-28		
C PT6A-21		

72-60-00

Figure 1

Page 8

Aug 27/2004

PRATT & WHITNEY CANADA
ILLUSTRATED PARTS CATALOG
MANUAL PART NO. 3013244

FIG. ITEM	PART NUMBER	AIRLINE PART NUMBER	NOMENCLATURE	EFFECT CODE	UNITS PER ASSY
1			1234567		
- 200B	ST3276-01		.GASKET, FOUR-HOLE POST-SB1481	A B C	4
210	AN100043		.COVER, TYPE X/XV, ACCESSORY DRIVE INTRCHG WITH P/N AS3221	A B C	3
- 210A	AS3221		.COVER, TYPE X & XV, ACCESSORY DRIVE PRE-SB1527 TWO-WAY INTRCHG WITH P/N ST3389-01	A B C	3
- 210B	ST3389-01		.COVER, PLAIN 2.653 IN. BOLT CIRCLE POST-SB1527	A B C	3
- 220	3012142		.BOLT, MACHINE, DRD HEX INTRCHG WITH P/N MS9530-14	A B C	8
220A	MS9530-14		.BOLT, MACHINE, DRD HEX	A B C	8
- 230	AN122582		.WASHER, PLAIN INTRCHG WITH P/N MS9320-10	A B C	8
230A	MS9320-10		.WASHER, PLAIN	A B C	8
240	3012680		.NUT OPTION (IC) SEE TABLE FOR OPTIONAL PART NUMBERS	A B C	8
- 250	AN122582		.WASHER, PLAIN INTRCHG WITH P/N MS9320-10	A B C	8
250A	MS9320-10		.WASHER, FLAT	A B C	8
260	3011407		.PLUG, MACHINE, HEX	A B C	1
- 270	3011409		.PACKING, PREFORMED INTRCHG WITH P/N MS9387-09	A B C	1
270A	MS9387-09		.PACKING, PREFORMED TWO-WAY INTRCHG WITH P/N AS3208-09	A B C	1

CONTINUED

- ITEM NOT ILLUSTRATED

EFF MODEL A PT6A-27 B PT6A-28 C PT6A-21	EFF MODEL	EFF MODEL
--	-----------	-----------

72-60-00

Figure 1

Page 9

Aug 27/2004

PRATT & WHITNEY CANADA
ILLUSTRATED PARTS CATALOG
MANUAL PART NO. 3013244

FIG. ITEM	PART NUMBER	AIRLINE PART NUMBER	NOMENCLATURE	EFFECT CODE	UNITS PER ASSY
1			1234567		
- 270B	AS3208-09		.PACKING, PREFORMED	A B C	1
280	MS9314-03		.PACKING, PREFORMED DRAIN, BLANKING (NOT REQUIRED WHEN AIRFRAME SUPPLIED DRAIN LINE IS CONNECTED AT INSTALLATION, DUST SEAL PROTECTION CAP PK1301 MAY BE USED) SEE	A B C	1
- 290			ACCESSORY GEARBOX EXTERNALS GROUP SEE 72-00-00 FIG. 1 FOR NHA	A B C	REF
300	3006017		.COVER, FLANGED	A B C	1
			ATTACHING PARTS		
- 310	3011978		.BOLT, MACHINE, DRD HEX INTRCHG WITH P/N 3012369	A B C	2
- 310A	3012369		.BOLT, MACHINE, DRD HEX INTRCHG WITH P/N MS9529-06	A B C	2
310B	MS9529-06		.BOLT, MACHINE, DRD HEX INTRCHG WITH P/N MS9923-06	A B C	2
- 310C	MS9923-06		.BOLT, MACHINE, DRD, DBL HEX POST-SB1406	A B C	2
			-----*-----		
- 320	3002450		.PACKING, PREFORMED INTRCHG WITH P/N MS9388-011	A B C	1
320A	MS9388-011		.PACKING, PREFORMED INTRCHG WITH P/N AS3209-011	A B C	1
- 320B	AS3209-011		.PACKING, PREFORMED	A B C	1
330	MS9015-08		.PLUG, MACHINE, HEX INTRCHG WITH P/N MS9954-08	A B C	1

CONTINUED

- ITEM NOT ILLUSTRATED

EFF MODEL	EFF MODEL	EFF MODEL
A PT6A-27		
B PT6A-28		
C PT6A-21		

72-60-00
Figure 1
Page 10
Aug 27/2004

PRATT & WHITNEY CANADA
ILLUSTRATED PARTS CATALOG
MANUAL PART NO. 3013244

FIG. ITEM	PART NUMBER	AIRLINE PART NUMBER	1234567 NOMENCLATURE	EFFECT CODE	UNITS PER ASSY
1					
- 330A	MS9954-08		.PLUG, MACHINE, HEX	A B C	1
- 340	3006149		.PACKING, PREFORMED INTRCHG WITH P/N MS9388-115	A B C	1
340A	MS9388-115		.PACKING, PREFORMED INTRCHG WITH P/N AS3209-115	A B C	1
- 340B	AS3209-115		.PACKING, PREFORMED	A B C	1
- 350	3001640		.PACKING, PREFORMED INTRCHG WITH P/N MS9388-016	A B C	1
350A	MS9388-016		.PACKING, PREFORMED INTRCHG WITH P/N AS3209-016	A B C	1
- 350B	AS3209-016		.PACKING, PREFORMED	A B C	1
360	3006515		.ADAPTER, OIL TEMPERATURE BULB FOR ENGINES BUILT TO BS1141 PRE-SB1406	A B C	1
365	3103648-01		.TEE, OIL TEMPERATURE BULB AND PRESSURE SENSING FOR ENGINES BUILT TO BS788, BS789 POST-SB1406 SEE NOTE 1	C	1
			ATTACHING PARTS		
- 370	3011978		.BOLT, MACHINE, HEX INTRCHG WITH P/N 3012369	A B C	2
- 370A	3012369		.BOLT, MACHINE, HEX USE WITH P/N 3006515 INTRCHG WITH P/N MS9529-06	A B C	2
370B	MS9529-06		.BOLT, MACHINE, HEX USE WITH P/N 3006515	A B C	2
375	MS9923-06		.BOLT, MACHINE, DRD, DBL HEX USE WITH P/N 3103648-01 POST-SB1406 SEE NOTE 1	C	2
			-----*-----		

CONTINUED

- ITEM NOT ILLUSTRATED

EFF MODEL A PT6A-27 B PT6A-28 C PT6A-21	EFF MODEL	EFF MODEL
--	-----------	-----------

72-60-00
Figure 1
Page 11
Aug 27/2004

PRATT & WHITNEY CANADA
ILLUSTRATED PARTS CATALOG
MANUAL PART NO. 3013244

FIG. ITEM	PART NUMBER	AIRLINE PART NUMBER	1234567	NOMENCLATURE	EFFECT CODE	UNITS PER ASSY
1				<p><u>NOTE 1:</u> USED FOR A LIMITED NUMBER OF ENGINES IN PT6A-21 BEECH INSTALLATIONS AND LATER REVERTED BACK TO THE PRIOR CONFIGURATION</p> <p><u>NOTE 2:</u> QUANTITY OF THREE WHEN ITEMS 81 AND 101 ARE USED</p> <p><u>NOTE 3:</u> QTY OF THREE WHEN USING ITEMS 80C & 100E, TOGETHER WITH ITEMS 102 & 103 ARE REQUIRED FOR ENGINES IN THE FIELD USING A REWORKED ACCESSORY GEARBOX HOUSING ASSEMBLY P/N 3033596 (WET SPLINE DRIVE)</p> <p><u>NOTE 4:</u> SEALS AND RETAINER FOR USE WITH CABIN BLOWER ON PT6A-27 BEECH INSTALLATION</p>		

- ITEM NOT ILLUSTRATED

EFF MODEL	EFF MODEL	EFF MODEL

72-60-00

Figure 1

Page 12

Aug 27/2004

Gearbox Assembly, Accessory - Internal Transfer Tubes

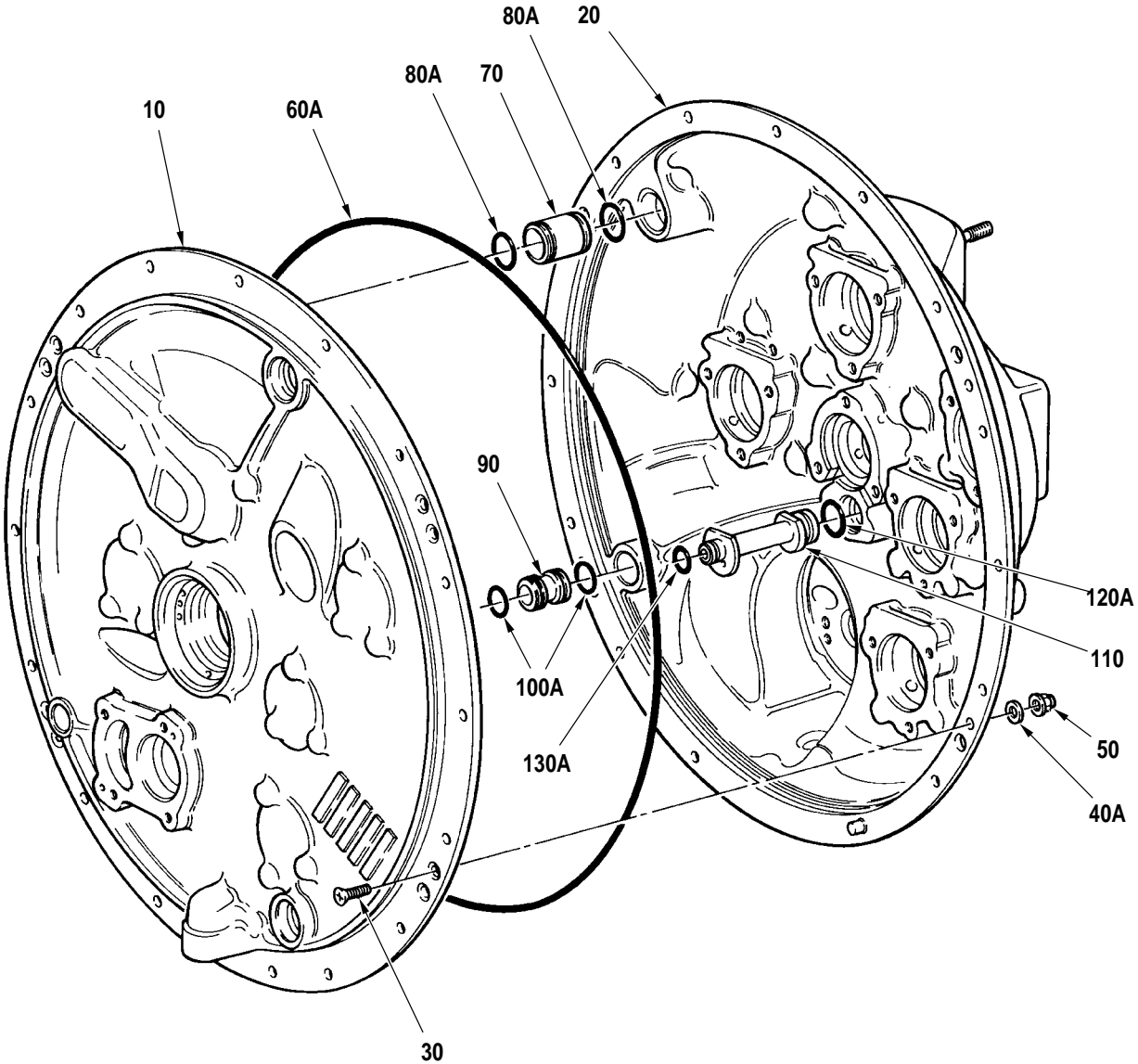
72-60-00

Figure 2

Page 1

Aug 27/2004

PRATT & WHITNEY CANADA
ILLUSTRATED PARTS CATALOG
MANUAL PART NO. 3013244



Gearbox Assembly, Accessory - Internal Transfer Tubes
Figure 2

C52044B
72-60-00
Figure 2
Page 2
Aug 27/2004

PRATT & WHITNEY CANADA
ILLUSTRATED PARTS CATALOG
MANUAL PART NO. 3013244

FIG. ITEM	PART NUMBER	AIRLINE PART NUMBER	NOMENCLATURE	EFFECT CODE	UNITS PER ASSY
2			1234567		
- 1			GEARBOX ASSEMBLY, ACCESSORY CONTINUED FROM FIG. 1	A B C	REF
10	*****		.DIAPHRAGM ASSEMBLY, ACCESSORY GEARBOX SEE FIG. 7 FOR BREAKDOWN	A B C	REF
20	*****		.HOUSING ASSEMBLY, ACCESSORY GEARBOX SEE FIG. 8 FOR BREAKDOWN ATTACHING PARTS	A B C	REF
30	3012138		.SCREW, MACHINE, COUNTERSUNK	A B C	4
- 40	AN122581		.WASHER, FLAT INTRCHG WITH P/N MS9320-09	A B C	4
40A	MS9320-09		.WASHER, FLAT	A B C	4
50	3012675		.NUT OPTION (IC) SEE TABLE FOR OPTIONAL PART NUMBERS -----*-----	A B C	4
- 60	3001900		.PACKING, PREFORMED INTRCHG WITH P/N MS9388-280	A B C	1
60A	MS9388-280		.PACKING, PREFORMED INTRCHG WITH P/N AS3209-280	A B C	1
- 60B	AS3209-280		.PACKING, PREFORMED	A B C	1
70	3002149		.TUBE, TRANSFER	A B C	1
- 80	3001643		.PACKING, PREFORMED INTRCHG WITH P/N MS9388-020	A B C	2
80A	MS9388-020		.PACKING, PREFORMED INTRCHG WITH P/N AS3209-020	A B C	2

CONTINUED

- ITEM NOT ILLUSTRATED

EFF MODEL A PT6A-27 B PT6A-28 C PT6A-21	EFF MODEL	EFF MODEL
--	-----------	-----------

72-60-00
Figure 2
Page 3
Aug 27/2004

PRATT & WHITNEY CANADA
ILLUSTRATED PARTS CATALOG
MANUAL PART NO. 3013244

FIG. ITEM	PART NUMBER	AIRLINE PART NUMBER	1234567 NOMENCLATURE	EFFECT CODE	UNITS PER ASSY
2					
- 80B	AS3209-020		.PACKING, PREFORMED	A B C	2
90	3003973		.TUBE, TRANSFER	A B C	1
- 100	3001640		.PACKING, PREFORMED INTRCHG WITH P/N MS9388-016	A B C	2
100A	MS9388-016		.PACKING, PREFORMED INTRCHG WITH P/N AS3209-016	A B C	2
- 100B	AS3209-016		.PACKING, PREFORMED	A B C	2
110	3011266		.TUBE, FLANGED, OIL TRANSFER	A B C	1
- 120	3001640		.PACKING, PREFORMED INTRCHG WITH P/N MS9388-016	A B C	1
120A	MS9388-016		.PACKING, PREFORMED INTRCHG WITH P/N AS3209-016	A B C	1
- 120B	AS3209-016		.PACKING, PREFORMED	A B C	1
- 130	3001599		.PACKING, PREFORMED INTRCHG WITH P/N MS9388-010	A B C	1
130A	MS9388-010		.PACKING, PREFORMED INTRCHG WITH P/N AS3209-010	A B C	1
- 130B	AS3209-010		.PACKING, PREFORMED	A B C	1
			NOTE 1: DELETED		
			NOTE 2: DELETED		
			NOTE 3: DELETED		
			NOTE 4: DELETED		
			NOTE 5: DELETED		
			NOTE 6: DELETED		

- ITEM NOT ILLUSTRATED

EFF MODEL	EFF MODEL	EFF MODEL
A PT6A-27		
B PT6A-28		
C PT6A-21		

72-60-00
Figure 2
Page 4
Aug 27/2004

Gearbox Assembly, Accessory -
Shaft, Coupling and Internal
Components

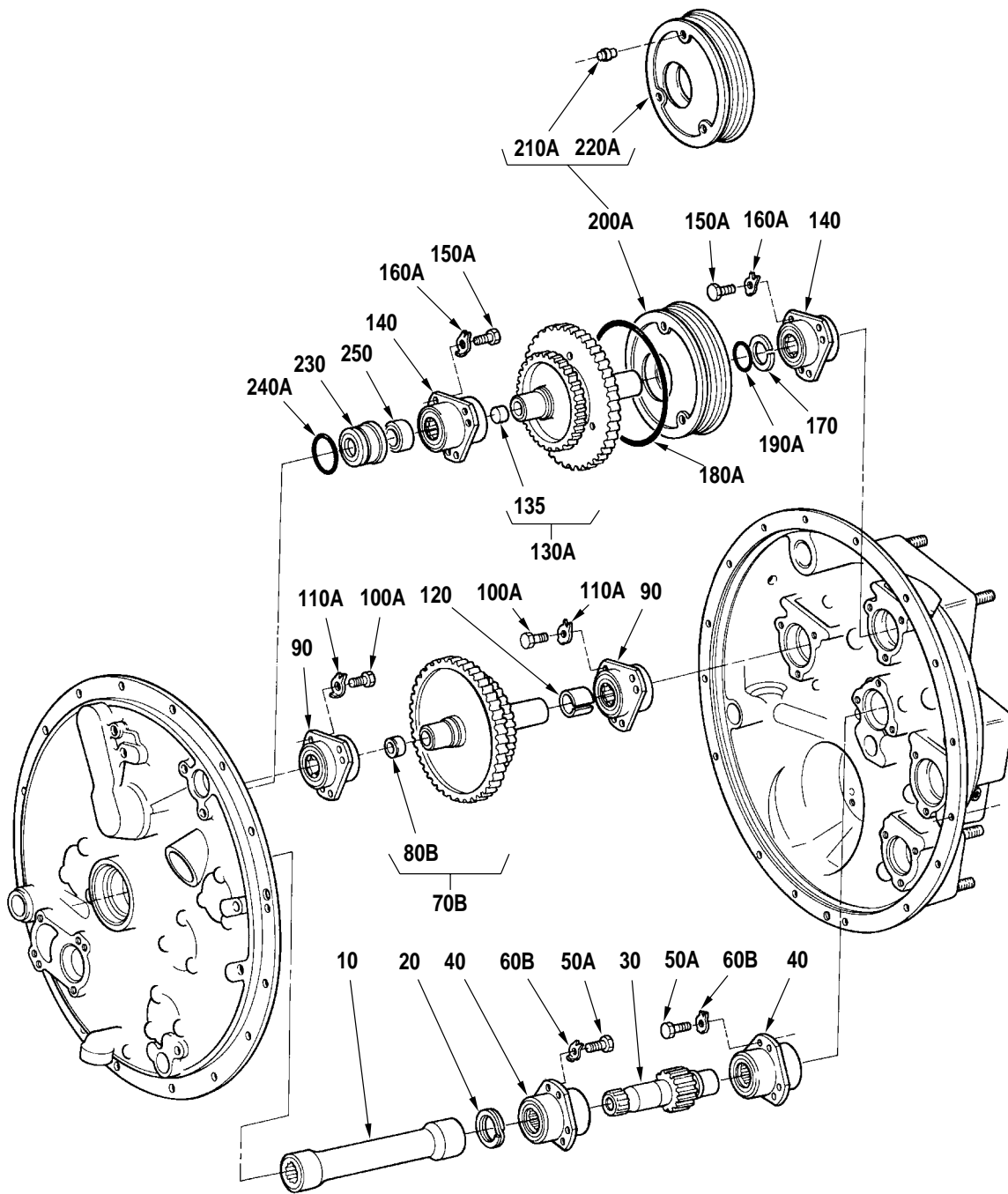
72-60-00

Figure 3

Page 1

Aug 27/2004

PRATT & WHITNEY CANADA
 ILLUSTRATED PARTS CATALOG
 MANUAL PART NO. 3013244



C52045A

Gearbox Assembly, Accessory - Shaft, Coupling and
 Internal Components
 Figure 3

72-60-00

Figure 3

Page 2

Aug 27/2004

PRATT & WHITNEY CANADA
ILLUSTRATED PARTS CATALOG
MANUAL PART NO. 3013244

FIG. ITEM	PART NUMBER	AIRLINE PART NUMBER	NOMENCLATURE	EFFECT CODE	UNITS PER ASSY
3			1234567		
- 1			GEARBOX ASSEMBLY, ACCESSORY CONTINUED FROM FIG. 2	A B C	REF
10	3011405		.SHAFT, COUPLING, GEARBOX INPUT	A B C	1
20	3002819		.RING, RETAINING, SPIRAL INTRCHG WITH P/N AS3217-117	A B C	1
- 20A	AS3217-117		.RING, RETAINING, SPIRAL	A B C	1
30	3011406		.GEARSHAFT, DRIVE, GEARBOX INPUT	A B C	1
40	3010674		.BEARING, ROLLER, FLANGED INTRCHG WITH P/N 3032209	A B C	2
- 40A	3032209		.BEARING OPTION (IC) INTRCHG WITH P/N 3037278 (IC) CONSISTS OF:	A B C	2
	3010674		..BEARING, ROLLER FLANGED		AR
	3028005		..BEARING, ROLLER FLANGED		AR
	3031724		..BEARING, ROLLER FLANGED		AR
	3101636-01		..BEARING, ROLLER FLANGED		AR
- 40B	3037278		.BEARING OPTION (IC) (IC) CONSISTS OF:	A B C	2
	3112367-01		..BEARING, ROLLER FLANGED		AR
	3112368-01		..BEARING, ROLLER FLANGED		AR
	3112369-01		..BEARING, ROLLER FLANGED		AR
			ATTACHING PARTS		
- 50	3011949		.BOLT, MACHINE, HEX INTRCHG WITH P/N MS9518-06 INTRCHG WITH P/N MS9489-06	A B C	6
50A	MS9518-06		.BOLT, MACHINE, HEX	A B C	6
- 50B	MS9489-06		.BOLT, MACHINE, HEX	A B C	6

CONTINUED

- ITEM NOT ILLUSTRATED

EFF MODEL A PT6A-27 B PT6A-28 C PT6A-21	EFF MODEL	EFF MODEL
--	-----------	-----------

72-60-00
Figure 3
Page 3
Aug 27/2004

PRATT & WHITNEY CANADA
ILLUSTRATED PARTS CATALOG
MANUAL PART NO. 3013244

FIG. ITEM	PART NUMBER	AIRLINE PART NUMBER	NOMENCLATURE	EFFECT CODE	UNITS PER ASSY
			1234567		
3					
- 60	3001538		.WASHER, KEY, LOCKING INTRCHG WITH P/N MS9276-09	A B C	6
- 60A	MS9276-09		.WASHER, KEY, LOCKING INTRCHG WITH P/N ST3010-09	A B C	6
60B	ST3010-09		.WASHER, KEY, LOCKING INTRCHG WITH P/N MS9276-09	A B C	6
- 60C	MS9276-09		.WASHER, KEY, LOCKING INTRCHG WITH P/N 3016598	A B C	6
- 60D	3016598		.WASHER, KEY 0.195 X 0.022 PRE-PT6A SPB NO.33 TWO-WAY INTRCHG WITH P/N ST3371-01	A B	6
- 60E	ST3371-01		.WASHER, KEY 0.210 X 0.022 POST-PT6A SPB NO.33	A B	6
- 70	3008124		.GEARSHAFT ASSEMBLY, FUEL CONTROL DRIVE PRE-SB1165 INTRCHG WITH P/N 3020684	A B	1
- 70A	3020684		.GEARSHAFT ASSEMBLY, FUEL CONTROL DRIVE POST-SB1165 PRE-SB1409 NONINTR WITH P/N 3104152-01	A B	1
70B	3104152-01		.GEARSHAFT ASSEMBLY, CONTROL DRIVE POST-SB1409	A B C	1
- 80	3013878		..INSERT, FUEL CONTROL DRIVE GEARSHAFT USE WITH P/N 3008124 PRE-SB1165	A B	1
- 80A	3020683		..RESTRICTOR, FUEL CONTROL DRIVE GEARSHAFT USE WITH P/N 3020684 POST-SB1165 PRE-SB1409 NONINTR WITH P/N 3103674-01	A B	1
80B	3103674-01		..RESTRICTOR, FUEL CONTROL DRIVE GEARSHAFT POST-SB1409	A B C	1

CONTINUED

- ITEM NOT ILLUSTRATED

EFF MODEL	EFF MODEL	EFF MODEL
A PT6A-27		
B PT6A-28		
C PT6A-21		

72-60-00

Figure 3

Page 4

Aug 27/2004

PRATT & WHITNEY CANADA
ILLUSTRATED PARTS CATALOG
MANUAL PART NO. 3013244

FIG. ITEM	PART NUMBER	AIRLINE PART NUMBER	NOMENCLATURE	EFFECT CODE	UNITS PER ASSY
3			1234567		
90	3010674		.BEARING, ROLLER, FLANGED INTRCHG WITH P/N 3032209	A B C	2
- 90A	3032209		.BEARING OPTION (IC) INTRCHG WITH P/N 3037278 (IC) CONSISTS OF:	A B C	2
	3010674		..BEARING, ROLLER, FLANGED		AR
	3028005		..BEARING, ROLLER, FLANGED		AR
	3031724		..BEARING, ROLLER, FLANGED		AR
	3101636-01		..BEARING, ROLLER, FLANGED		AR
- 90B	3037278		.BEARING OPTION (IC) (IC) CONSISTS OF:	A B C	2
	3112367-01		..BEARING, ROLLER, FLANGED		AR
	3112368-01		..BEARING, ROLLER, FLANGED		AR
	3112369-01		..BEARING, ROLLER, FLANGED		AR
- 100	3011949		.BOLT, MACHINE, HEX INTRCHG WITH P/N MS9518-06 INTRCHG WITH P/N MS9489-06	A B C	6
100A	MS9518-06		.BOLT, MACHINE, HEX	A B C	6
- 100B	MS9489-06		.BOLT, MACHINE, HEX	A B C	6
- 110	MS9276-09		.WASHER, KEY, LOCKING INTRCHG WITH P/N ST3010-09	A B C	6
110A	ST3010-09		.WASHER, KEY, LOCKING INTRCHG WITH P/N MS9276-09	A B C	6
- 110B	MS9276-09		.WASHER, KEY, LOCKING INTRCHG WITH P/N 3016598	A B C	6
- 110C	3016598		.WASHER, KEY 0.195 X 0.022 PRE-PT6A SPB NO.33 TWO-WAY INTRCHG WITH P/N ST3371-01	A B C	6
- 110D	ST3371-01		.WASHER, KEY 0.210 X 0.022 POST-PT6A SPB NO.33	A B C	6

CONTINUED

- ITEM NOT ILLUSTRATED

EFF MODEL	EFF MODEL	EFF MODEL
A PT6A-27		
B PT6A-28		
C PT6A-21		

72-60-00

Figure 3

Page 5

Aug 27/2004

PRATT & WHITNEY CANADA
ILLUSTRATED PARTS CATALOG
MANUAL PART NO. 3013244

FIG. ITEM	PART NUMBER	AIRLINE PART NUMBER	NOMENCLATURE	EFFECT CODE	UNITS PER ASSY
			1234567		
3					
120	3005293		.INSERT, FUEL CONTROL DRIVE GEARSHAFT	A B C	1
- 130	3008953		.GEARSHAFT, STARTER GENERATOR DRIVE PRE-SB1200 PRE-SB1272 INTRCHG WITH P/N 3021565	A B	1
130A	3021565		.GEARSHAFT ASSEMBLY, SPUR, STARTER GENERATOR DRIVE FOR ENGINES BUILT TO BS392, BS414, BS622, BS624, BS877, BS954 FOR ENGINES BUILT TO BS418, BS475, BS610 FOR ENGINES BUILT TO BS571 POST-SB1200 PRE-SB1272	A B C	1
- 130B	3017609		.GEARSHAFT, STARTER GENERATOR FOR ENGINES BUILT TO BS801 FOR ENGINES BUILT TO BS671, BS788, BS1141 SEE NOTE 1 AND 2	A B C	1
- 130C	3029567		.GEARSHAFT ASSEMBLY, STATER GENERATOR DRIVE FIELD REIDENTIFICATION P/N 3021565 POST-SB1272 SEE NOTE 3	A B C	1
135	MS9176-15		..PLUG EXPANSION, TAPERED FOR ENGINES BUILT TO BS571 COMPONENT OF P/N 3021565 AND 3029567	A B C	1
- 136	3029172		..SHAFT, SPLINED (REPAIR PART) COMPONENT OF P/N 3029567	A B C	1
140	3010674		.BEARING, ROLLER, FLANGED INTRCHG WITH P/N 3032209	A B C	2
- 140A	3032209		.BEARING OPTION (IC) INTRCHG WITH P/N 3037278 (IC) CONSISTS OF:	A B C	2
	3010674		..BEARING, ROLLER FLANGED		AR
	3028005		..BEARING, ROLLER FLANGED		AR
	3031724		..BEARING, ROLLER FLANGED		AR
	3101636-01		..BEARING, ROLLER FLANGED		AR

CONTINUED

- ITEM NOT ILLUSTRATED

EFF MODEL	EFF MODEL	EFF MODEL
A PT6A-27		
B PT6A-28		
C PT6A-21		

72-60-00
Figure 3
Page 6
Aug 27/2004

PRATT & WHITNEY CANADA
ILLUSTRATED PARTS CATALOG
MANUAL PART NO. 3013244

FIG. ITEM	PART NUMBER	AIRLINE PART NUMBER	NOMENCLATURE	EFFECT CODE	UNITS PER ASSY
3			1234567		
- 140B	3037278		.BEARING OPTION (IC) (IC) CONSISTS OF:	A B C	2
	3112367-01		..BEARING, ROLLER FLANGED		AR
	3112368-01		..BEARING, ROLLER FLANGED		AR
	3112369-01		..BEARING, ROLLER FLANGED		AR
- 150	3011949		.BOLT, MACHINE, HEX INTRCHG WITH P/N MS9518-06 INTRCHG WITH P/N MS9489-06	A B C	6
150A	MS9518-06		.BOLT, MACHINE, HEX	A B C	6
- 150B	MS9489-06		.BOLT, MACHINE, HEX	A B C	6
- 160	MS9276-09		.WASHER, KEY, LOCKING INTRCHG WITH P/N ST3010-09	A B C	6
160A	ST3010-09		.WASHER, KEY, LOCKING INTRCHG WITH P/N MS9276-09	A B C	6
- 160B	MS9276-09		.WASHER, KEY, LOCKING INTRCHG WITH P/N 3016598	A B C	6
- 160C	3016598		.WASHER, KEY 0.195 X 0.022 PRE-PT6A SPB NO.33 TWO-WAY INTRCHG WITH P/N ST3371-01	A B C	6
- 160D	ST3371-01		.WASHER, KEY 0.210 X 0.022 POST-PT6A SPB NO.33 -----*-----	A B C	6
170	3005754		.RING, RETAINING	A B C	1
- 180	3003099		.PACKING, PREFORMED INTRCHG WITH P/N MS9388-045	A B C	1
180A	MS9388-045		.PACKING, PREFORMED INTRCHG WITH P/N AS3209-045	A B C	1

CONTINUED

- ITEM NOT ILLUSTRATED

EFF MODEL A PT6A-27 B PT6A-28 C PT6A-21	EFF MODEL	EFF MODEL
--	-----------	-----------

72-60-00

Figure 3

Page 7

Aug 27/2004

PRATT & WHITNEY CANADA
ILLUSTRATED PARTS CATALOG
MANUAL PART NO. 3013244

FIG. ITEM	PART NUMBER	AIRLINE PART NUMBER	NOMENCLATURE	EFFECT CODE	UNITS PER ASSY
3			1234567		
- 180B	AS3209-045		.PACKING, PREFORMED	A B C	1
- 190	3006526		.PACKING, PREFORMED INTRCHG WITH P/N MS9388-119	A B C	1
190A	MS9388-119		.PACKING, PREFORMED INTRCHG WITH P/N AS3209-119	A B C	1
- 190B	AS3209-119		.PACKING, PREFORMED	A B C	1
- 200	3008961		.IMPELLER ASSEMBLY, CENTRIFUGAL BREATHER INTRCHG WITH P/N 3020290	A B	1
200A	3020290		.IMPELLER ASSEMBLY, CENTRIFUGAL BREATHER POST-SB1168	A B C	1
- 210	3005748		.PIN, SHOULDER USE WITH P/N 3008961	A	1
210A	3020288		.PIN, SHOULDER, HEADLESS USE WITH P/N 3020290 INTRCHG WITH P/N 3100009-01	A B C	3
- 210B	3100009-01		.PIN, SHOULDER, HEADLESS USE WITH P/N 3020290	A B C	3
- 220	3008960		..IMPELLER USE WITH P/N 3008961	A B	NP
220A	3020289		..IMPELLER USE WITH P/N 3020290	A B C	NP
230	3004179		.CARRIER, SEAL	A B C	1
- 240	3003822		.PACKING, PREFORMED INTRCHG WITH P/N MS9388-026	A B C	1
240A	MS9388-026		.PACKING, PREFORMED INTRCHG WITH P/N AS3209-026	A B C	1
- 240B	AS3209-026		.PACKING, PREFORMED	A B C	1

CONTINUED

- ITEM NOT ILLUSTRATED

EFF MODEL A PT6A-27 B PT6A-28 C PT6A-21	EFF MODEL	EFF MODEL
--	-----------	-----------

72-60-00

Figure 3

Page 8

Aug 27/2004

PRATT & WHITNEY CANADA
ILLUSTRATED PARTS CATALOG
MANUAL PART NO. 3013244

FIG. ITEM	PART NUMBER	AIRLINE PART NUMBER	NOMENCLATURE	EFFECT CODE	UNITS PER ASSY
3			1234567		
250	3011218		.SEAL, FACE FOR ENGINES BUILT TO BS392, BS414, BS622, BS624, BS877, BS954 FOR ENGINES BUILT TO BS418, BS475, BS610 PRE-SB1386 NONINTR WITH P/N 3022454	A B C	1
- 250A	3022454		.SEAL, FACE FOR ENGINES BUILT TO BS801 SEE NOTE 1 AND 2 POST-SB1386 NONINTR WITH P/N 3011218	A B C	1
250B	3011218		.SEAL, FACE FOR ENGINES BUILT TO BS571	C	1
- 250C	3036777		.SEAL OPTION (IC) FOR ENGINES BUILT TO BS801 FOR ENGINES BUILT TO BS671, BS788, BS1141 (IC) CONSISTS OF:	A B C	1
	3022454		..SEAL, FACE		AR
	3111451-01		..SEAL, FACE		AR
			<u>NOTE 1</u> : USED FOR A LIMITED NUMBER OF ENGINES IN PT6A-21 BEECH INSTALLATIONS AND LATER REVERTED BACK TO THE PRIOR CONFIGURATION		
			<u>NOTE 2</u> : REQUIRED FOR THE PT6A- 21/-27/-28 ENGINES IN THE FIELD USING REWORKED ACCESSORY GEARBOX HOUSING ASSEMBLY P/N 3033596 POST-SB1386 (WET SPLINE DRIVE)		
			<u>NOTE 3</u> : REWORKED PART, WILL NOT BE SUPPLIED AS A SPARE		

- ITEM NOT ILLUSTRATED

EFF MODEL A PT6A-27 B PT6A-28 C PT6A-21	EFF MODEL	EFF MODEL
--	-----------	-----------

72-60-00
Figure 3
Page 9/10
Aug 27/2004

Gearbox Assembly, Accessory -
Gearshaft Assembly,
Accessory Drive

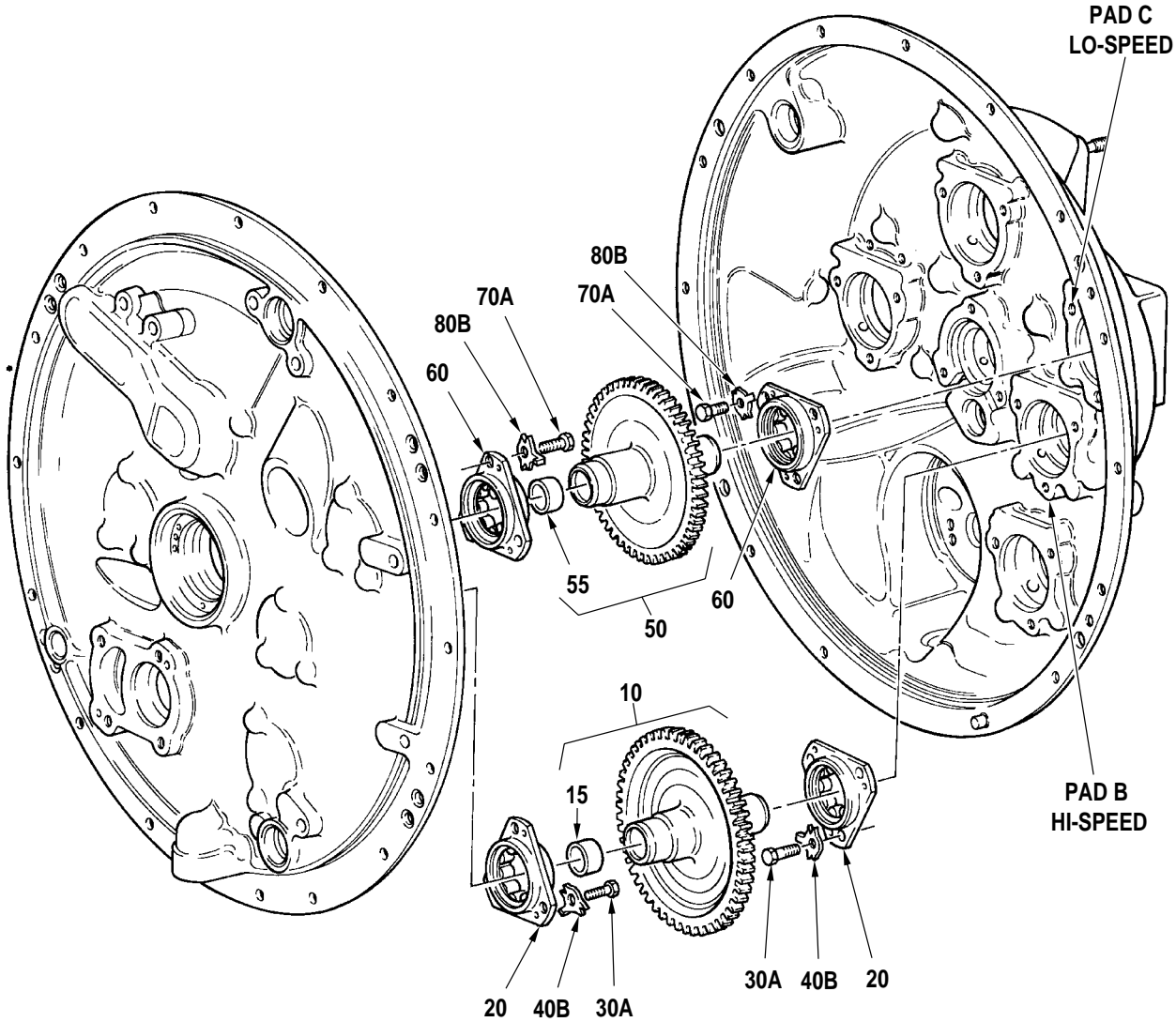
72-60-00

Figure 4

Page 1

Aug 27/2004

PRATT & WHITNEY CANADA
ILLUSTRATED PARTS CATALOG
MANUAL PART NO. 3013244



NOTE:
LOW-SPEED OPTION REQUIRES
THAT HI-SPEED OPTION BE
INSTALLED TO DRIVE IT.

C52046

Gearbox Assembly, Accessory - Gearshaft Assembly,
 Accessory Drive
 Figure 4

72-60-00

Figure 4

Page 2

Aug 27/2004

PRATT & WHITNEY CANADA
ILLUSTRATED PARTS CATALOG
MANUAL PART NO. 3013244

FIG. ITEM	PART NUMBER	AIRLINE PART NUMBER	1234567 NOMENCLATURE	EFFECT CODE	UNITS PER ASSY
4					
- 1			GEARBOX ASSEMBLY, ACCESSORY FOR ENGINES BUILT TO BS1141 CONTINUED FROM FIG. 3	A B C	REF
10	3008182		.GEARSHAFT ASSEMBLY, ACCESSORY DRIVE OPTIONAL P.T.O. PAD B HI-SPEED INTRCHG WITH P/N 3105282-01	A B	1
- 10A	3105282-01		.GEARSHAFT ASSEMBLY, SPUR, ACCESSORY DRIVE, FOR ENGINES BUILT TO BS321, BS330, BS362, BS374, BS410, BS423, BS622, BS801, BS954 FOR ENGINES BUILT TO BS346, BS418, BS475, BS610 FOR ENGINES BUILT TO BS1141 P.T.O. PAD B HI-SPEED	A B C	1
15	MS9176-15		..PLUG FOR ENGINES BUILT TO BS1141	A B C	1
- 17	3013883		..GEARSHAFT, SPUR, ACCESSORY DRIVE, 35 AND 53 TEETH INTRCHG WITH P/N 3105281-01	A B C	NP
- 17A	3105281-01		..GEARSHAFT, SPUR, ACCESSORY DRIVE, 35 AND 53 TEETH INTRCHG WITH P/N 3105281-02	A B C	NP
- 17B	3105281-02		..GEARSHAFT, SPUR, ACCESSORY DRIVE, 35 AND 53 TEETH	A B C	NP
20	3010674		.BEARING, ROLLER, FLANGED INTRCHG WITH P/N 3032209	A B	2
- 20A	3032209		.BEARING OPTION (IC) INTRCHG WITH P/N 3037278 (IC) CONSISTS OF:	A B	2
	3010674		..BEARING, ROLLER FLANGED		AR
	3028005		..BEARING, ROLLER FLANGED		AR
	3031724		..BEARING, ROLLER FLANGED		AR
	3101636-01		..BEARING, ROLLER FLANGED		AR

CONTINUED

- ITEM NOT ILLUSTRATED

EFF MODEL A PT6A-27 B PT6A-28 C PT6A-21	EFF MODEL	EFF MODEL
--	-----------	-----------

72-60-00
Figure 4
Page 3
Aug 27/2004

PRATT & WHITNEY CANADA
ILLUSTRATED PARTS CATALOG
MANUAL PART NO. 3013244

FIG. ITEM	PART NUMBER	AIRLINE PART NUMBER	NOMENCLATURE	EFFECT CODE	UNITS PER ASSY
			1234567		
4					
- 20B	3037278		.BEARING OPTION (IC) FOR ENGINES BUILT TO BS321, BS330, BS362, BS374, BS410, BS423, BS622, BS801, BS954 FOR ENGINES BUILT TO BS346, BS418, BS475, BS610 FOR ENGINES BUILT TO BS1141 (IC) CONSISTS OF:	A B C	2
	3112367-01		..BEARING, ROLLER FLANGED		AR
	3112368-01		..BEARING, ROLLER FLANGED		AR
	3112369-01		..BEARING, ROLLER FLANGED		AR
			ATTACHING PARTS		
- 30	3011949		.BOLT, MACHINE, HEX INTRCHG WITH P/N MS9518-06 INTRCHG WITH P/N MS9489-06	A B	6
30A	MS9518-06		.BOLT, MACHINE, HEX FOR ENGINES BUILT TO BS321, BS330, BS362, BS374, BS410, BS423, BS622, BS801, BS954 FOR ENGINES BUILT TO BS346, BS418, BS475, BS610 FOR ENGINES BUILT TO BS1141	A B C	6
- 30B	MS9489-06		.BOLT, MACHINE, HEX	A B	6
- 40	3001538		.WASHER, KEY INTRCHG WITH P/N MS9276-09	A B	6
- 40A	MS9276-09		.WASHER, KEY INTRCHG WITH P/N ST3010-09	A B	6
40B	ST3010-09		.WASHER, KEY, CORROSION RESISTANT INTRCHG WITH P/N MS9276-09	A B	6
- 40C	MS9276-09		.WASHER, KEY INTRCHG WITH P/N 3016598	A B	6
- 40D	3016598		.WASHER, KEY 0.195 X 0.022 PRE-PT6A SPB NO.33 TWO-WAY INTRCHG WITH P/N ST3371-01	A B	6

CONTINUED

- ITEM NOT ILLUSTRATED

EFF MODEL	EFF MODEL	EFF MODEL
A PT6A-27		
B PT6A-28		
C PT6A-21		

72-60-00
Figure 4
Page 4
Aug 27/2004

PRATT & WHITNEY CANADA
ILLUSTRATED PARTS CATALOG
MANUAL PART NO. 3013244

FIG. ITEM	PART NUMBER	AIRLINE PART NUMBER	NOMENCLATURE	EFFECT CODE	UNITS PER ASSY
			1234567		
4					
- 40E	ST3371-01		.WASHER, KEY FOR ENGINES BUILT TO BS321, BS330, BS362, BS374, BS410, BS423, BS622, BS801, BS954 FOR ENGINES BUILT TO BS346, BS418, BS475, BS610 FOR ENGINES BUILT TO BS1141 0.210 X 0.022 POST-PT6A SPB NO.33 -----*-----	A B C	6
50	3008181		.GEARSHAFT ASSEMBLY, ACCESSORY DRIVE, OPTIONAL P.T.O. PAD C LO-SPEED PRE-SB1354 INTRCHG WITH P/N 3100450-01 SEE NOTE 1	A B C	1
- 50A	3100450-01		.GEARSHAFT ASSEMBLY, ACCESSORY DRIVE, FOR ENGINES BUILT TO BS321, BS362, BS374, BS410, BS423, BS622, BS801, BS954 FOR ENGINES BUILT TO BS418, BS475, BS610 FOR ENGINES BUILT TO BS1141 OPTIONAL P.T.O. PAD C LO-SPEED POST-SB1354 SEE NOTE 1	A B C	1
55	MS9576-15		..PLUG, CUP FOR ENGINES BUILT TO BS1141 COMPONENT OF P/N 3008181	A B C	1
- 56	3020683		..RESTRICTOR, OIL FOR ENGINES BUILT TO BS321, BS362, BS374, BS410, BS423, BS622, BS801, BS954 FOR ENGINES BUILT TO BS418, BS475, BS610 COMPONENT OF P/N 3100450-01 PRE-SB1409	A B C	1
- 56A	3103674-01		..RESTRICTOR, OIL POST-SB1409	A B C	1
60	3010674		.BEARING, ROLLER, FLANGED INTRCHG WITH P/N 3032209	A	2
- 60A	3032209		.BEARING OPTION (IC) INTRCHG WITH P/N 3037278 (IC) CONSISTS OF:	A B	2
	3010674		..BEARING, ROLLER FLANGED		AR

CONTINUED

- ITEM NOT ILLUSTRATED

EFF MODEL	EFF MODEL	EFF MODEL
A PT6A-27		
B PT6A-28		
C PT6A-21		

72-60-00

Figure 4

Page 5

Aug 27/2004

PRATT & WHITNEY CANADA
ILLUSTRATED PARTS CATALOG
MANUAL PART NO. 3013244

FIG. ITEM	PART NUMBER	AIRLINE PART NUMBER	NOMENCLATURE	EFFECT CODE	UNITS PER ASSY
			1234567		
4	3028005		..BEARING, ROLLER FLANGED		AR
	3031724		..BEARING, ROLLER FLANGED		AR
	3101636-01		..BEARING, ROLLER FLANGED		AR
60B	3037278		.BEARING OPTION (IC) FOR ENGINES BUILT TO BS321, BS362, BS374, BS410, BS423, BS622, BS801, BS954 FOR ENGINES BUILT TO BS418, BS475, BS610 FOR ENGINES BUILT TO BS1141 (IC) CONSISTS OF:	A B C	2
	3112367-01		..BEARING, ROLLER FLANGED		AR
	3112368-01		..BEARING, ROLLER FLANGED		AR
	3112369-01		..BEARING, ROLLER FLANGED		AR
			ATTACHING PARTS		
- 70	3011949		.BOLT, MACHINE, HEX INTRCHG WITH P/N MS9518-06 INTRCHG WITH P/N MS9489-06	A B	6
70A	MS9518-06		.BOLT, MACHINE, HEX FOR ENGINES BUILT TO BS321, BS362, BS374, BS410, BS423, BS622, BS801, BS954 FOR ENGINES BUILT TO BS418, BS475, BS610 FOR ENGINES BUILT TO BS1141	A B C	6
- 70B	MS9489-06		.BOLT, MACHINE, HEX	A B	6
- 80	3001538		.WASHER, KEY INTRCHG WITH P/N MS9276-09	A B	6
- 80A	MS9276-09		.WASHER, KEY INTRCHG WITH P/N ST3010-09	A B	6
80B	ST3010-09		.WASHER, KEY, CORROSION RESISTANT INTRCHG WITH P/N MS9276-09	A B	6
- 80C	MS9276-09		.WASHER, KEY INTRCHG WITH P/N 3016598	A B	6
- 80D	3016598		.WASHER, KEY 0.195 X 0.022 PRE-PT6A SPB NO.33 TWO-WAY INTRCHG WITH P/N ST3371-01	A B	6

CONTINUED

- ITEM NOT ILLUSTRATED

EFF MODEL	EFF MODEL	EFF MODEL
A PT6A-27		
B PT6A-28		
C PT6A-21		

72-60-00
Figure 4
Page 6
Aug 27/2004

PRATT & WHITNEY CANADA
ILLUSTRATED PARTS CATALOG
MANUAL PART NO. 3013244

FIG. ITEM	PART NUMBER	AIRLINE PART NUMBER	NOMENCLATURE	EFFECT CODE	UNITS PER ASSY
4 - 80E	ST3371-01		1234567 .WASHER, KEY FOR ENGINES BUILT TO BS321, BS362, BS374, BS410, BS423, BS622, BS801, BS954 FOR ENGINES BUILT TO BS418, BS475, BS610 FOR ENGINES BUILT TO BS1141 0.210 X 0.022 POST-PT6A SPB NO.33 -----*----- NOTE 1: THIS FIGURE ILLUSTRATES THE MAXIMUM CONFIGURATION OF OPTIONAL DRIVES. P/N 3008181 CAN ONLY BE FITTED IF P/N 3008182 AND ASSOCIATED PARTS ARE INSTALLED PREVIOUSLY OR CONCURRENTLY	A B C	6

- ITEM NOT ILLUSTRATED

EFF MODEL A PT6A-27 B PT6A-28 C PT6A-21	EFF MODEL	EFF MODEL
--	-----------	-----------

Gearbox Assembly, Accessory -
Gearshaft Drive and Components,
Scavenge Pump

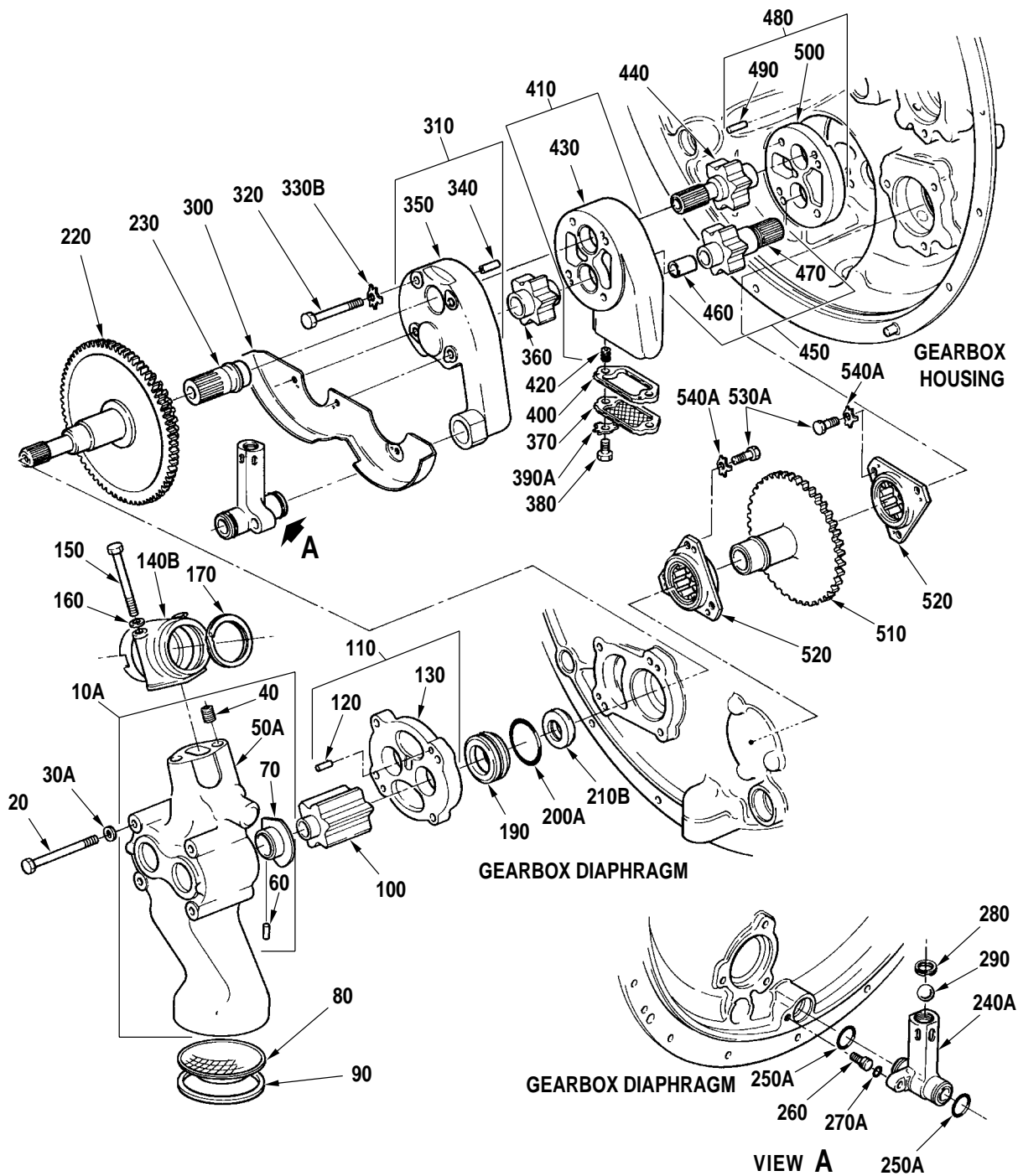
72-60-00

Figure 5

Page 1

Aug 27/2004

PRATT & WHITNEY CANADA
 ILLUSTRATED PARTS CATALOG
 MANUAL PART NO. 3013244



C52047

Gearbox Assembly, Accessory - Gearshaft Drive and Components, Scavenge Pump
 Figure 5

72-60-00

Figure 5

Page 2

Aug 27/2004

PRATT & WHITNEY CANADA
ILLUSTRATED PARTS CATALOG
MANUAL PART NO. 3013244

FIG. ITEM	PART NUMBER	AIRLINE PART NUMBER	1234567 NOMENCLATURE	EFFECT CODE	UNITS PER ASSY
5					
- 1			GEARBOX ASSEMBLY, ACCESSORY CONTINUED FROM FIG. 4	A B C	REF
- 10	3012034		.HOUSING ASSEMBLY, MAIN PRESSURE PUMP INTRCHG WITH P/N 3021602	A B	1
10A	3021602		.HOUSING ASSEMBLY, MAIN PRESSURE PUMP	A B C	1
			ATTACHING PARTS		
20	3012145		.BOLT, MACHINE INTRCHG WITH P/N MS9529-33	A B C	4
- 20A	MS9529-33		.BOLT, MACHINE, DRD HEX	A B C	4
- 30	3001564		.WASHER, PLAIN INTRCHG WITH P/N MS9321-09	A B C	4
30A	MS9321-09		.WASHER, FLAT	A B C	4
			-----*-----		
40	MS124735		..INSERT, HELICAL COIL	A B C	2
- 50	3012033		..HOUSING, MAIN PRESSURE PUMP USE WITH P/N 3012034	A B	NP
50A	3021601		..HOUSING, MAIN PRESSURE PUMP USE WITH P/N 3021602	A B C	NP
60	3003987		..PIN, LOCK	A B C	2
70	3008676		..BEARING, PLAIN	A B C	2
80	3012037		.SCREEN, MAIN PRESSURE PUMP INTRCHG WITH P/N 3029166	A B C	1

CONTINUED

- ITEM NOT ILLUSTRATED

EFF MODEL A PT6A-27 B PT6A-28 C PT6A-21	EFF MODEL	EFF MODEL
--	-----------	-----------

72-60-00
Figure 5
Page 3
Aug 27/2004

PRATT & WHITNEY CANADA
ILLUSTRATED PARTS CATALOG
MANUAL PART NO. 3013244

FIG. ITEM	PART NUMBER	AIRLINE PART NUMBER	NOMENCLATURE	EFFECT CODE	UNITS PER ASSY
5			1234567		
- 80A	3029166		.SCREEN ASSEMBLY, MAIN PRESSURE PUMP POST-SB1280 INTRCHG WITH P/N 3031539	A B C	1
- 80B	3031539		.SCREEN ASSEMBLY, PUMP INTAKE POST-SB1280	A B C	1
90	3009905		.RING, RETAINING, PRESSURE PUMP SCREEN INTRCHG WITH P/N AS3217-155	A B C	1
- 90A	AS3217-155		.RING, RETAINING	A B C	1
100	3008799		.GEAR, MAIN PRESSURE PUMP	A B C	2
110	3008806		.COVER ASSEMBLY, MAIN PRESSURE PUMP	A B C	1
120	AN122707		..PIN, DOWEL, LOCATING	A B C	2
130	3008805		..COVER, MAIN PRESSURE PUMP	A B C	NP
- 140	3012515		.HOUSING, PRESSURE RELIEF VALVE INTRCHG WITH P/N 3012518	A B	1
- 140A	3012518		.HOUSING, PRESSURE RELIEF VALVE INTRCHG WITH P/N 3021570	A B	1
140B	3021570		.HOUSING, PRESSURE RELIEF VALVE	A B C	1
			ATTACHING PARTS		
150	3012513		.BOLT, MACHINE, HEX INTRCHG WITH P/N MS9529-28	A B C	2
- 150A	MS9529-28		.BOLT, MACHINE, HEX	A B C	2
160	MS9321-09		.WASHER, FLAT	A B C	2
			-----*-----		
CONTINUED					

- ITEM NOT ILLUSTRATED

EFF MODEL	EFF MODEL	EFF MODEL
A PT6A-27		
B PT6A-28		
C PT6A-21		

72-60-00

Figure 5

Page 4

Aug 27/2004

PRATT & WHITNEY CANADA
ILLUSTRATED PARTS CATALOG
MANUAL PART NO. 3013244

FIG. ITEM	PART NUMBER	AIRLINE PART NUMBER	1234567 NOMENCLATURE	EFFECT CODE	UNITS PER ASSY
5					
170	3012512		.RING, RETAINING INTRCHG WITH P/N AS3217-127	A B C	1
- 170A	AS3217-127		.RING, RETAINING	A B C	1
- 180			.PRESSURE RELIEF VALVE INSTALLATION	A B C	REF
190	3004121		.CARRIER, OIL SEAL	A B C	1
- 200	3003822		.PACKING, PREFORMED INTRCHG WITH P/N MS9388-026	A B C	1
200A	MS9388-026		.PACKING, PREFORMED INTRCHG WITH P/N AS3209-026	A B C	1
- 200B	AS3209-026		.PACKING, PREFORMED	A B C	1
- 210	3006372		.SEAL, PLAIN INTRCHG WITH P/N 3012472	A B	1
- 210A	3012472		.SEAL, PLAIN INTRCHG WITH P/N 3016576	A B	1
210B	3016576		.SEAL OPTION (IC) POST-SB1083 INTRCHG WITH P/N 3022374 (IC) CONSISTS OF:	A B C	1
	3015523		..SEAL, PLAIN		AR
	3015534		..SEAL, PLAIN		AR
- 210C	3022374		.SEAL, PLAIN POST-SB1255	A B C	1
220	3008127		.GEARSHAFT, SPUR, OIL PUMP DRIVE	A B C	1
230	3006731		.COUPLING, SHAFT, FLEXIBLE, OIL PUMP DRIVE	A B C	1
- 240	3012222		.HOUSING, RELIEF VALVE INTRCHG WITH P/N 3016158	A B	1

CONTINUED

- ITEM NOT ILLUSTRATED

EFF MODEL A PT6A-27 B PT6A-28 C PT6A-21	EFF MODEL	EFF MODEL
--	-----------	-----------

72-60-00

Figure 5

Page 5

Aug 27/2004

PRATT & WHITNEY CANADA
ILLUSTRATED PARTS CATALOG
MANUAL PART NO. 3013244

FIG. ITEM	PART NUMBER	AIRLINE PART NUMBER	NOMENCLATURE	EFFECT CODE	UNITS PER ASSY
5			1234567		
240A	3016158		.HOUSING, RELIEF VALVE POST-SB1132	A B C	1
- 250	3001640		.PACKING, PREFORMED INTRCHG WITH P/N MS9388-016	A B C	2
250A	MS9388-016		.PACKING, PREFORMED INTRCHG WITH P/N AS3209-016	A B C	2
- 250B	AS3209-016		.PACKING, PREFORMED	A B C	2
260	3012223		.PIN, SHOULDER, HEADLESS (ATTACHED TO DIAPHRAGM ASSEMBLY)	A B C	1
- 270	3002324		.PACKING, PREFORMED INTRCHG WITH P/N MS9388-008	A B C	1
270A	MS9388-008		.PACKING, PREFORMED INTRCHG WITH P/N AS3209-008	A B C	1
- 270B	AS3209-008		.PACKING, PREFORMED	A B C	1
280	3012224		.RING, RETAINING INTRCHG WITH P/N AS3217-101	A B C	1
- 280A	AS3217-101		.RING, RETAINING	A B C	1
290	MS9461-15		.BALL BEARING, PRECISION GRADE PRE-PT6A SPB NO.31 TWO-WAY INTRCHG WITH P/N MS19060-4822	A B C	1
- 290A	MS19060-4822		.BALL BEARING 0.5000 DIA. POST-PT6A SPB NO.31	A B C	1
300	3017444		.TRAY, OIL	A B C	1
310	3006960		.BODY ASSEMBLY, MAIN SCAVENGE PUMP, OUTER	A B C	1

CONTINUED

- ITEM NOT ILLUSTRATED

EFF MODEL A PT6A-27 B PT6A-28 C PT6A-21	EFF MODEL	EFF MODEL
--	-----------	-----------

72-60-00
Figure 5
Page 6
Aug 27/2004

PRATT & WHITNEY CANADA
ILLUSTRATED PARTS CATALOG
MANUAL PART NO. 3013244

FIG. ITEM	PART NUMBER	AIRLINE PART NUMBER	NOMENCLATURE	EFFECT CODE	UNITS PER ASSY
5			1234567		
			ATTACHING PARTS		
320	3012143		.BOLT, MACHINE INTRCHG WITH P/N MS9518-32	A B C	4
- 320A	MS9518-32		.BOLT, MACHINE, HEX	A B C	4
- 330	3001538		.WASHER, KEY, LOCKING INTRCHG WITH P/N MS9276-09	A B C	4
- 330A	MS9276-09		.WASHER, KEY, LOCKING INTRCHG WITH P/N ST3010-09	A B C	4
330B	ST3010-09		.WASHER, KEY, LOCKING INTRCHG WITH P/N MS9276-09	A B C	4
- 330C	MS9276-09		.WASHER, KEY, LOCKING INTRCHG WITH P/N 3016598	A B C	4
- 330D	3016598		.WASHER, KEY 0.195 X 0.022 PRE-PT6A SPB NO.33 TWO-WAY INTRCHG WITH P/N ST3371-01	A B C	4
- 330E	ST3371-01		.WASHER, KEY 0.210 X 0.022 POST-PT6A SPB NO.33 -----*-----	A B C	4
340	AN122705		..PIN, DOWEL, LOCATING	A B C	2
350	3006957		..BODY, MAIN SCAVENGE PUMP	A B C	NP
360	3004005		.GEAR, PUMP	A B C	2
370	3004091		.SCREEN ASSEMBLY, MAIN SCAVENGE PUMP, INNER PRE-SB1508 TWO-WAY INTRCHG WITH P/N 3117944-01	A B C	1
- 370A	3117944-01		.SCREEN ASSEMBLY, MAIN SCAVENGE PUMP POST-SB1508	A C	1

CONTINUED

- ITEM NOT ILLUSTRATED

EFF MODEL A PT6A-27 B PT6A-28 C PT6A-21	EFF MODEL	EFF MODEL
--	-----------	-----------

72-60-00

Figure 5

Page 7

Aug 27/2004

PRATT & WHITNEY CANADA
ILLUSTRATED PARTS CATALOG
MANUAL PART NO. 3013244

FIG. ITEM	PART NUMBER	AIRLINE PART NUMBER	NOMENCLATURE	EFFECT CODE	UNITS PER ASSY
5			1234567		
			ATTACHING PARTS		
380	3011792		.BOLT, MACHINE, HEX POST-SB1105 INTRCHG WITH P/N MS9518-08	A B C	2
- 380A	MS9518-08		.BOLT, MACHINE, HEX	A B C	2
- 380B	3012144		.BOLT, MACHINE, HEX (ALTERNATE)	A B C	REF
- 390	MS9276-09		.WASHER, KEY, LOCKING INTRCHG WITH P/N ST3010-09	A B C	2
- 390A	ST3010-09		.WASHER, KEY, LOCKING INTRCHG WITH P/N MS9276-09	A B C	2
- 390B	MS9276-09		.WASHER, KEY, LOCKING INTRCHG WITH P/N 3016598	A B C	2
- 390C	3016598		.WASHER, KEY 0.195 X 0.022 PRE-PT6A SPB NO.33 TWO-WAY INTRCHG WITH P/N ST3371-01	A B C	2
- 390D	ST3371-01		.WASHER, KEY 0.210 X 0.022 POST-PT6A SPB NO.33	A B C	2
390D	MS9582-09		.WASHER, KEY	A B C	2
			-----*-----		
400	3016003		.SPACER, MAIN SCAVENGE PUMP USE 3 MIN. TO 6 MAX. POST-SB1105	A B C	AR
410	3012124		.HOUSING ASSEMBLY, MAIN SCAVENGE PUMP, INNER	A B C	1
420	MS124735		..INSERT, HELICAL COIL	A B C	2
430	3012123		..HOUSING, MAIN SCAVENGE PUMP, INNER	A B C	NP

CONTINUED

- ITEM NOT ILLUSTRATED

EFF MODEL A PT6A-27 B PT6A-28 C PT6A-21	EFF MODEL	EFF MODEL
--	-----------	-----------

72-60-00
Figure 5
Page 8
Aug 27/2004

PRATT & WHITNEY CANADA
ILLUSTRATED PARTS CATALOG
MANUAL PART NO. 3013244

FIG. ITEM	PART NUMBER	AIRLINE PART NUMBER	1234567 NOMENCLATURE	EFFECT CODE	UNITS PER ASSY
5					
440	3004117		.GEAR, MAIN SCAVENGE PUMP	A B C	1
450	3008360		.GEARSHAFT ASSEMBLY, MAIN SCAVENGE PUMP	A B C	1
460	3004119		..PLUG, BLANKING, SCAVENGE PUMP GEARSHAFT	A B C	1
470	3008128		..GEARSHAFT, MAIN SCAVENGE PUMP	A B C	NP
480	3004116		.COVER ASSEMBLY, MAIN SCAVENGE PUMP	A B C	1
490	AN122707		..PIN, DOWEL, LOCATING	A B C	2
500	3004115		..COVER, MAIN SCAVENGE PUMP	A B C	NP
510	3008769		.GEARSHAFT, SPUR, EXTERNAL, SCAVENGE PUMP DRIVE	A B C	1
520	3010674		.BEARING, ROLLER, FLANGED INTRCHG WITH P/N 3032209	A B C	2
- 520A	3032209		.BEARING OPTION (IC) INTRCHG WITH P/N 3037278 (IC) CONSISTS OF:	A B C	2
	3010674		..BEARING, ROLLER, FLANGED		AR
	3028005		..BEARING, ROLLER, FLANGED		AR
	3031724		..BEARING, ROLLER, FLANGED		AR
	3101636-01		..BEARING, ROLLER, FLANGED		AR
- 520B	3037278		.BEARING OPTION (IC) (IC) CONSISTS OF:	A B C	2
	3112367-01		..BEARING, ROLLER, FLANGED		AR
	3112368-01		..BEARING, ROLLER, FLANGED		AR
	3112369-01		..BEARING, ROLLER, FLANGED		AR

CONTINUED

- ITEM NOT ILLUSTRATED

EFF MODEL A PT6A-27 B PT6A-28 C PT6A-21	EFF MODEL	EFF MODEL
--	-----------	-----------

72-60-00

Figure 5

Page 9

Aug 27/2004

PRATT & WHITNEY CANADA
ILLUSTRATED PARTS CATALOG
MANUAL PART NO. 3013244

FIG. ITEM	PART NUMBER	AIRLINE PART NUMBER	NOMENCLATURE	EFFECT CODE	UNITS PER ASSY
5			1234567		
			ATTACHING PARTS		
- 530	3011949		.BOLT, MACHINE, HEX INTRCHG WITH P/N MS9518-06 INTRCHG WITH P/N MS9489-06	A B C	6
530A	MS9518-06		.BOLT, MACHINE, HEX	A B C	6
- 530B	MS9489-06		.BOLT, MACHINE, HEX	A B C	6
- 540	MS9276-09		.WASHER, KEY, LOCKING INTRCHG WITH P/N ST3010-09	A B C	6
540A	ST3010-09		.WASHER, KEY, LOCKING INTRCHG WITH P/N MS9276-09	A B C	6
- 540B	MS9276-09		.WASHER, KEY, LOCKING INTRCHG WITH P/N 3016598	A B C	6
- 540C	3016598		.WASHER, KEY 0.195 X 0.022 PRE-PT6A SPB NO.33 TWO-WAY INTRCHG WITH P/N ST3371-01	A B C	6
- 540D	ST3371-01		.WASHER, KEY 0.210 X 0.022 POST-PT6A SPB NO.33 -----*-----	A B C	6

- ITEM NOT ILLUSTRATED

EFF MODEL	EFF MODEL	EFF MODEL
A PT6A-27		
B PT6A-28		
C PT6A-21		

72-60-00
Figure 5
Page 10
Aug 27/2004

Gearbox Assembly, Accessory -
Pump, Oil Scavenge

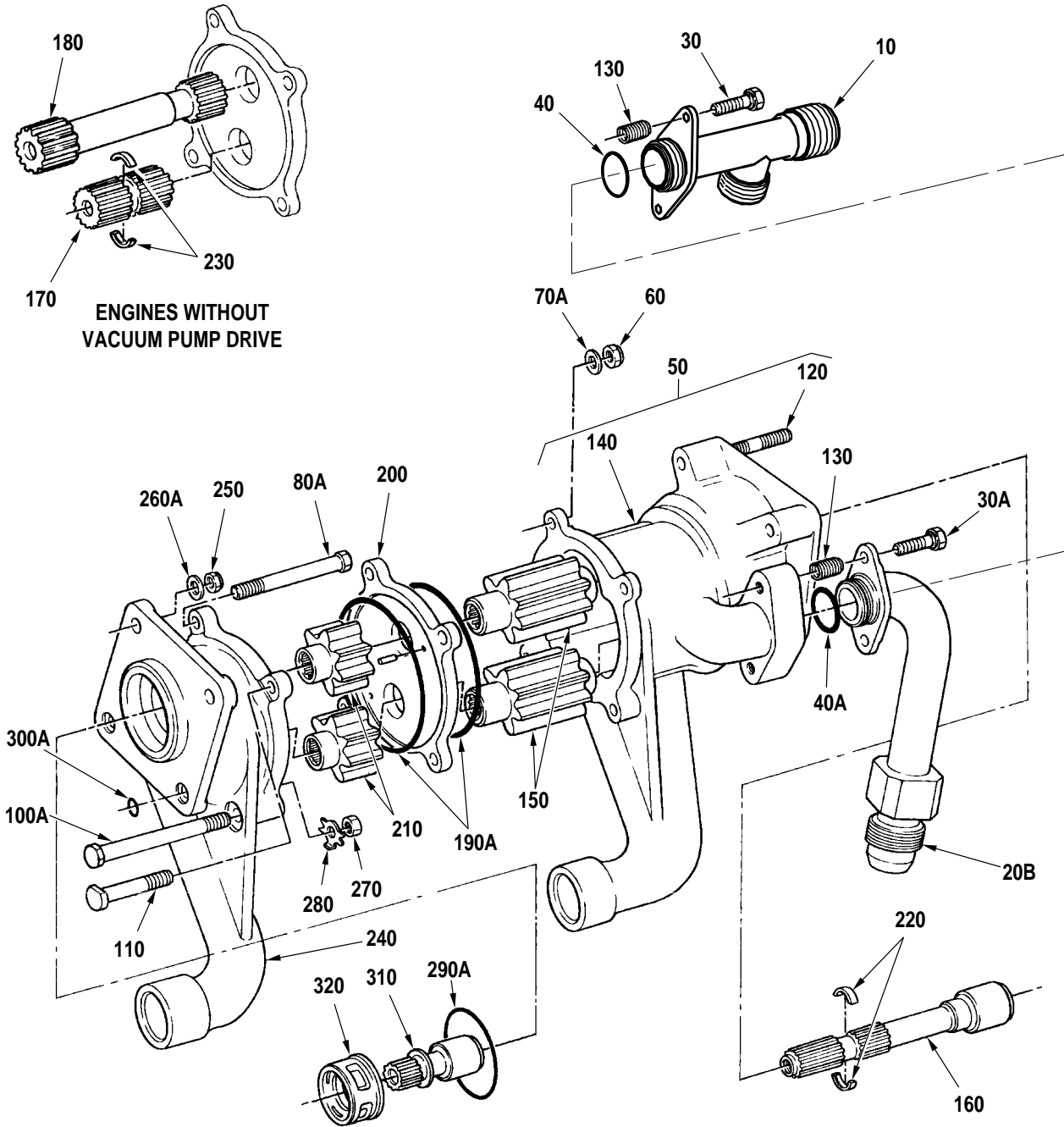
72-60-00

Figure 6

Page 1

Aug 27/2004

PRATT & WHITNEY CANADA
 ILLUSTRATED PARTS CATALOG
 MANUAL PART NO. 3013244



Gearbox Assembly, Accessory - Pump, Oil Scavenge
 Figure 6

C52048D
72-60-00
Figure 6

PRATT & WHITNEY CANADA
ILLUSTRATED PARTS CATALOG
MANUAL PART NO. 3013244

FIG. ITEM	PART NUMBER	AIRLINE PART NUMBER	1234567 NOMENCLATURE	EFFECT CODE	UNITS PER ASSY
6					
- 1			GEARBOX ASSEMBLY, ACCESSORY CONTINUED FROM FIG. 5	A B C	REF
10	3011351		.TEE, SCAVENGE OIL, REAR FOR ENGINES BUILT TO BS330, BS362, BS374, BS410, BS423 FOR ENGINES BUILT TO BS346, BS475, BS610 (NO VACUUM PUMP DRIVE INSTALLED)	A B C	1
- 20	3014775		.ADAPTER, SCAVENGE OIL, REAR (VACUUM PUMP DRIVE INSTALLED) POST-SB1116 SEE NOTE 1	A B	1
- 20A	3015690		.ADAPTER, SCAVENGE OIL, REAR, FOR ENGINES BUILT TO BS307, BS321, BS324, BS325, BS367, BS392, BS393, BS414, BS622, BS624, BS801, BS877, BS954 FOR ENGINES BUILT TO BS365, BS418, BS419, BS473, BS485, BS570 FOR ENGINES BUILT TO BS459, BS486, BS571, BS671, BS1141 (VACUUM PUMP DRIVE INSTALLED) POST-SB1116 SEE NOTE 1	A B C	1
20B	3020227		.ADAPTER ASSEMBLY, SCAVENGE OIL REAR FOR ENGINES BUILT TO BS788 (VACUUM PUMP DRIVE INSTALLED) POST-SB1116 SEE NOTE 2	A B C	1
			ATTACHING PARTS		
- 30	3012141		.BOLT, MACHINE, DRILLED, HEX INTRCHG WITH P/N MS9529-08	A B C	2
30A	MS9529-08		.BOLT, MACHINE, DRILLED, HEX	A B C	2
			-----*-----		
- 40	3003420		.PACKING, PREFORMED INTRCHG WITH P/N MS9388-019	A B C	1
40A	MS9388-019		.PACKING, PREFORMED INTRCHG WITH P/N AS3209-019	A B C	1

CONTINUED

- ITEM NOT ILLUSTRATED

EFF MODEL	EFF MODEL	EFF MODEL
A PT6A-27		
B PT6A-28		
C PT6A-21		

72-60-00

Figure 6

Page 3

Aug 27/2004

PRATT & WHITNEY CANADA
ILLUSTRATED PARTS CATALOG
MANUAL PART NO. 3013244

FIG. ITEM	PART NUMBER	AIRLINE PART NUMBER	NOMENCLATURE	EFFECT CODE	UNITS PER ASSY
6			1234567		
- 40B	AS3209-019		.PACKING, PREFORMED	A B C	1
50	3011361		.HOUSING ASSEMBLY, SCAVENGE PUMP PRE-SB1446 INTRCHG WITH P/N 3107324-01	A B C	1
- 50A	3107324-01		.HOUSING ASSEMBLY, SCAVENGE PUMP REWORKED FROM P/N 3011361 POST-SB1446	A B C	1
			ATTACHING PARTS		
60	3012680		.NUT OPTION (IC) SEE TABLE FOR OPTIONAL PART NUMBERS	A B C	4
- 70	AN122582		.WASHER, FLAT INTRCHG WITH P/N MS9320-10	A B C	4
70A	MS9320-10		.WASHER, FLAT	A B C	4
- 80	3012139		.BOLT, MACHINE, HEX INTRCHG WITH P/N MS9519-18	A B C	1
80A	MS9519-18		.BOLT, MACHINE, HEX	A B C	1
90	NOT USED				
- 100	3012140		.BOLT, MACHINE, HEX INTRCHG WITH P/N MS9519-27	A B C	1
100A	MS9519-27		.BOLT, MACHINE, HEX INTRCHG WITH P/N MS9519-28	A B C	1
- 100B	MS9519-28		.BOLT, MACHINE, HEX	A B C	1
110	3012146		.BOLT, MACHINE, SLAB 0.250-28UNJF X 1.250 PRE-SB1446 INTRCHG WITH P/N MS9519-18	A B C	2
- 110A	MS9519-18		.BOLT, MACHINE, HEX POST-SB1446	A B C	2
			-----*-----		

CONTINUED

- ITEM NOT ILLUSTRATED

EFF MODEL A PT6A-27 B PT6A-28 C PT6A-21	EFF MODEL	EFF MODEL
--	-----------	-----------

72-60-00
Figure 6
Page 4
Aug 27/2004

PRATT & WHITNEY CANADA
ILLUSTRATED PARTS CATALOG
MANUAL PART NO. 3013244

FIG. ITEM	PART NUMBER	AIRLINE PART NUMBER	1234567 NOMENCLATURE	EFFECT CODE	UNITS PER ASSY
6					
120	AN126234		..STUD, STRAIGHT 0.250-20-28 X 1.500	A B C	4
	AN126235		...STUD, 0.003 IN. OVS		AR
	AN126236		...STUD, 0.006 IN. OVS		AR
- 120A	DELETED				
- 120B	DELETED				
130	MS124775		..INSERT, HELICAL COIL	A B C	2
140	3011360		..HOUSING, SCAVENGE PUMP PRE-SB1446	A B C	NP
- 140A	3107323-01		..HOUSING, SCAVENGE PUMP REWORKED FROM P/N 3011360 POST-SB1446	A B C	NP
150	3008785		.GEAR, SPUR SCAVENGE PUMP	A B C	2
160	3008786		.SHAFT, SCAVENGE PUMP DRIVE FOR ENGINES BUILT TO BS307, BS321, BS324, BS325, BS367, BS392, BS393, BS414, BS622, BS624, BS801, BS877, BS954 FOR ENGINES BUILT TO BS365, BS418, BS419, BS473, BS485, BS570 (VACUUM PUMP DRIVE INSTALLED)	A B C	1
170	3012178		.SHAFT, SCAVENGE PUMP DRIVE, FOR ENGINES BUILT TO BS330, BS362, BS374, BS410, BS423 FOR ENGINES BUILT TO BS346, BS475, BS610 (NO VACUUM PUMP DRIVE INSTALLED) POST-SB1115	A B	1
180	3012177		.SHAFT, COUPLING FOR ENGINES BUILT TO BS330, BS362, BS374, BS410, BS423 FOR ENGINES BUILT TO BS346, BS475, BS610 (NO VACUUM PUMP DRIVE INSTALLED) POST-SB1115	A B	1
- 190	3001579		.PACKING, PREFORMED INTRCHG WITH P/N MS9388-040	A B C	2

CONTINUED

- ITEM NOT ILLUSTRATED

EFF MODEL A PT6A-27 B PT6A-28 C PT6A-21	EFF MODEL	EFF MODEL
--	-----------	-----------

72-60-00
Figure 6
Page 5
Aug 27/2004

PRATT & WHITNEY CANADA
ILLUSTRATED PARTS CATALOG
MANUAL PART NO. 3013244

FIG. ITEM	PART NUMBER	AIRLINE PART NUMBER	NOMENCLATURE	EFFECT CODE	UNITS PER ASSY
6			1234567		
190A	MS9388-040		.PACKING, PREFORMED INTRCHG WITH P/N AS3209-040	A B C	2
- 190B	AS3209-040		.PACKING, PREFORMED	A B C	2
200	3011359		.SPACER, SCAVENGE PUMP PRE-SB1446 INTRCHG WITH P/N 3024286	A B C	1
- 200A	3024286		.SPACER ASSEMBLY, SCAVENGE PUMP POST-SB1446	A B C	1
- 201	3024285		..SPACER, SCAVENGE PUMP REWORKED FROM P/N 3011359 POST-SB1446	A B C	NP
- 202	AN122705		..PIN, STRAIGHT, HEADLESS USE WITH P/N 3024285 POST-SB1446	A B C	2
210	3008784		.GEAR, SPUR, SCAVENGE PUMP	A B C	2
220	3008779		.COLLAR, HALF FOR ENGINES BUILT TO BS307, BS321, BS324, BS325, BS367, BS392, BS393, BS414, BS622, BS624, BS801, BS877, BS954 FOR ENGINES BUILT TO BS365, BS418, BS419, BS473, BS485, BS570 (STANDARD) (VACUUM PUMP DRIVE INSTALLED)	A B C	2
230	3008779		.COLLAR, HALF FOR ENGINES BUILT TO BS330, BS362, BS374, BS410, BS423 FOR ENGINES BUILT TO BS346, BS475, BS610 (ADDITIONAL REQUIREMENT, (NO VACUUM PUMP DRIVE INSTALLED) POST-SB1115	A B	2
240	3011358		.HOUSING, SCAVENGE PUMP PRE-SB1446 INTRCHG WITH P/N 3024287	A B C	1

CONTINUED

- ITEM NOT ILLUSTRATED

EFF MODEL	EFF MODEL	EFF MODEL
A PT6A-27		
B PT6A-28		
C PT6A-21		

72-60-00
Figure 6
Page 6
Aug 27/2004

PRATT & WHITNEY CANADA
ILLUSTRATED PARTS CATALOG
MANUAL PART NO. 3013244

FIG. ITEM	PART NUMBER	AIRLINE PART NUMBER	NOMENCLATURE	EFFECT CODE	UNITS PER ASSY
6			1234567		
- 240A	3024287		.HOUSING, SCAVENGE PUMP POST-SB1446 PRE-SB1500 PRE-SB1564 TWO-WAY INTRCHG WITH P/N 3118083-01 TWO-WAY INTRCHG WITH P/N 01R3024287	A B C	1
	01R3024287		.HOUSING, SCAVENGE PUMP POST-SB1564	A B C	RWK
- 240B	3118083-01		.HOUSING, SCAVENGE PUMP POST-SB1500 PRE-SB1564 RESTRICTED INTERCHANGEABILITY WITH P/N 3045010-01. REFER TO APPLICABLE SERVICE BULLETIN.	A B C	1
- 240C	3045010-01		.HOUSING, SCAVENGE PUMP MAY BE OBTAINED BY REWORK OF P/N 3118083-01 POST-SB1564	A B C	1
			ATTACHING PARTS		
250	3012680		.NUT OPTION (IC) SEE TABLE FOR OPTIONAL PART NUMBERS	A B C	2
- 260	AN122582		.WASHER, FLAT INTRCHG WITH P/N MS9320-10	A B C	2
260A	MS9320-10		.WASHER, FLAT	A B C	2
270	MS9356-09		.NUT, PLAIN, HEX PRE-SB1564 RESTRICTED INTERCHANGEABILITY WITH P/N ST3425-09. REFER TO APPLICABLE SERVICE BULLETIN.	A B C	2
- 270A	ST3425-09		.NUT, SELF-LOCKING POST-SB1564	A B C	2
280	3001538		.WASHER, KEY INTRCHG WITH P/N MS9276-09	A B C	2
- 280A	MS9276-09		.WASHER, KEY INTRCHG WITH P/N ST3010-09	A B C	2

CONTINUED

- ITEM NOT ILLUSTRATED

EFF MODEL A PT6A-27 B PT6A-28 C PT6A-21	EFF MODEL	EFF MODEL
--	-----------	-----------

72-60-00
Figure 6
Page 7
Aug 27/2004

PRATT & WHITNEY CANADA
ILLUSTRATED PARTS CATALOG
MANUAL PART NO. 3013244

FIG. ITEM	PART NUMBER	AIRLINE PART NUMBER	NOMENCLATURE	EFFECT CODE	UNITS PER ASSY
			1234567		
6					
- 280B	ST3010-09		.WASHER, KEY, CORROSION RESISTANT INTRCHG WITH P/N MS9276-09	A B C	2
- 280C	MS9276-09		.WASHER, KEY INTRCHG WITH P/N 3016598 INTRCHG WITH P/N MS9582-09	A B C	2
- 280D	3016598		.WASHER, KEY PRE-PT6A SPB NO.33 TWO-WAY INTRCHG WITH P/N ST3371-01	A B C	2
- 280E	ST3371-01		.WASHER, KEY POST-PT6A SPB NO.33	A B C	2
- 280F	MS9582-09		.WASHER, KEY PRE-SB1564 RESTRICTED INTERCHANGEABILITY WITH P/N ST3424-09. REFER TO APPLICABLE SERVICE BULLETIN.	A B C	2
- 280G	ST3424-09		.WASHER, KEY POST-SB1564	A B C	2
			-----*-----		
- 290	3005677		.PACKING, PREFORMED INTRCHG WITH P/N MS9388-032	A B C	1
290A	MS9388-032		.PACKING, PREFORMED INTRCHG WITH P/N AS3209-032	A B C	1
- 290B	AS3209-032		.PACKING, PREFORMED	A B C	1
- 300	3002450		.PACKING, PREFORMED INTRCHG WITH P/N MS9388-011	A B C	2
300A	MS9388-011		.PACKING, PREFORMED INTRCHG WITH P/N AS3209-011	A B C	2
- 300B	AS3209-011		.PACKING, PREFORMED	A B C	2
310	3008778		.COUPLING, SCAVENGE PUMP, (VACUUM PUMP DRIVE INSTALLED)	A B C	1

CONTINUED

- ITEM NOT ILLUSTRATED

EFF MODEL	EFF MODEL	EFF MODEL
A PT6A-27		
B PT6A-28		
C PT6A-21		

72-60-00
Figure 6
Page 8
Aug 27/2004

PRATT & WHITNEY CANADA
ILLUSTRATED PARTS CATALOG
MANUAL PART NO. 3013244

FIG. ITEM	PART NUMBER	AIRLINE PART NUMBER	NOMENCLATURE	EFFECT CODE	UNITS PER ASSY
6 320	3008657		1234567 .DEFLECTOR, OIL SCAVENGE PUMP <u>NOTE 1:</u> P/N 3015690 IS INTERCHANGEABLE WITH P/N 3014775 WHICH IS NOT SUPPLIED AS A SPARE <u>NOTE 2:</u> P/N 3020227 WILL BE SUPPLIED AS AN ALTERNATE TO P/N 3015690 TO SUIT THE INSTALLATION	A B C	1

- ITEM NOT ILLUSTRATED

EFF MODEL A PT6A-27 B PT6A-28 C PT6A-21	EFF MODEL	EFF MODEL
--	-----------	-----------

72-60-00
Figure 6
 Page 9/10
 Aug 27/2004

Diaphragm Assembly, Accessory Gearbox

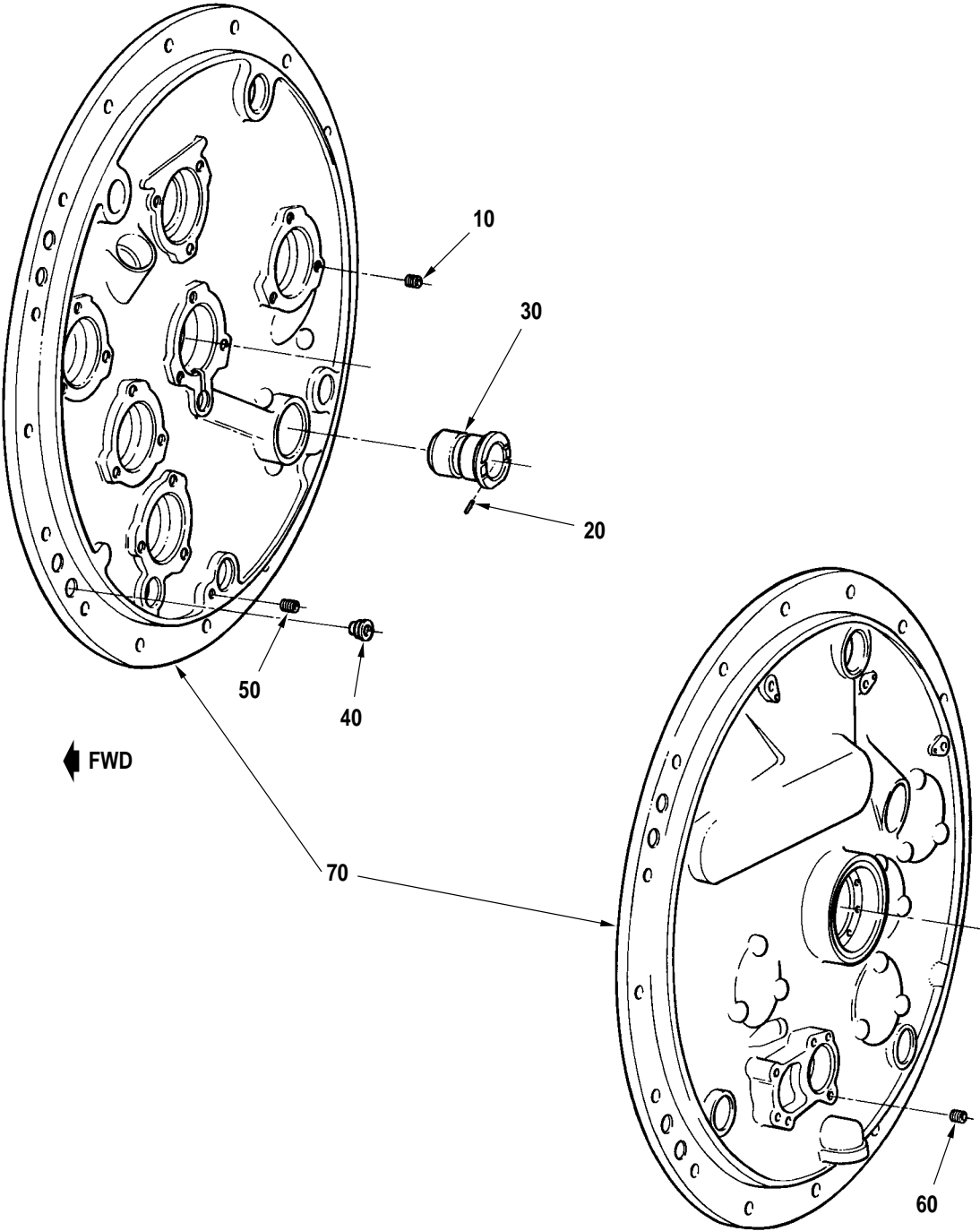
72-60-00

Figure 7

Page 1

Aug 27/2004

PRATT & WHITNEY CANADA
ILLUSTRATED PARTS CATALOG
MANUAL PART NO. 3013244



Diaphragm Assembly, Accessory Gearbox
Figure 7

C52049

72-60-00

Figure 7

Page 2

Aug 27/2004

PRATT & WHITNEY CANADA
ILLUSTRATED PARTS CATALOG
MANUAL PART NO. 3013244

FIG. ITEM	PART NUMBER	AIRLINE PART NUMBER	NOMENCLATURE	EFFECT CODE	UNITS PER ASSY
7			1234567		
- 1	3012129		DIAPHRAGM ASSEMBLY, ACCESSORY GEARBOX SEE FIG. 2 FOR NHA INTRCHG WITH P/N 3028396	A B C	1
- 1A	3028396		DIAPHRAGM ASSEMBLY, ACCESSORY GEARBOX SEE FIG. 2 FOR NHA PRE-SB1560 TWO-WAY INTRCHG WITH P/N 3045733-01	A B C	1
- 1B	3045733-01		DIAPHRAGM ASSEMBLY, ACCESSORY GEARBOX SEE FIG. 2 FOR NHA MAY BE OBTAINED BY REWORK OF P/N 3028396 POST-SB1560	A B C	1
10	MS124735		.INSERT, HELICAL COIL	A B C	18
20	3003987		.PIN, LOCK	A B C	1
30	3006523		.BEARING, SLEEVE, FLANGED	A B C	1
40	3001941		.INSERT, FLANGE, JACKING PRE-PT6A SPB NO.86 TWO-WAY INTRCHG WITH P/N ST3756-01	A B C	4
- 40A	ST3756-01		.INSERT, FLANGE JACKING POST-PT6A SPB NO.86	A B C	4
50	3007311		.INSERT, SCREW THD	A B C	1
60	MS124775		.INSERT, HELICAL COIL COMPONENT OF P/N 3012129	A B C	4
- 60A	MS124815		.INSERT, HELICAL COIL COMPONENT OF P/N 3028396	A B C	4
70	3012128		.DIAPHRAGM, ACCESSORY GEARBOX COMPONENT OF P/N 3012129	A B C	NP

CONTINUED

- ITEM NOT ILLUSTRATED

EFF MODEL A PT6A-27 B PT6A-28 C PT6A-21	EFF MODEL	EFF MODEL
--	-----------	-----------

72-60-00
Figure 7
Page 3
Aug 27/2004

PRATT & WHITNEY CANADA
ILLUSTRATED PARTS CATALOG
MANUAL PART NO. 3013244

FIG. ITEM	PART NUMBER	AIRLINE PART NUMBER	NOMENCLATURE	EFFECT CODE	UNITS PER ASSY
7			1234567		
- 70A	3029132		.DIAPHRAGM, ACCESSORY GEARBOX COMPONENT OF P/N 3028396	A B C	NP
- 70B	3045725-01		.DIAPHRAGM, ACCESSORY GEARBOX COMPONENT OF P/N 3045733-01	A B C	NP

- ITEM NOT ILLUSTRATED

EFF MODEL	EFF MODEL	EFF MODEL
A PT6A-27		
B PT6A-28		
C PT6A-21		

72-60-00
Figure 7
Page 4
Aug 27/2004

Housing Assembly, Accessory Gearbox

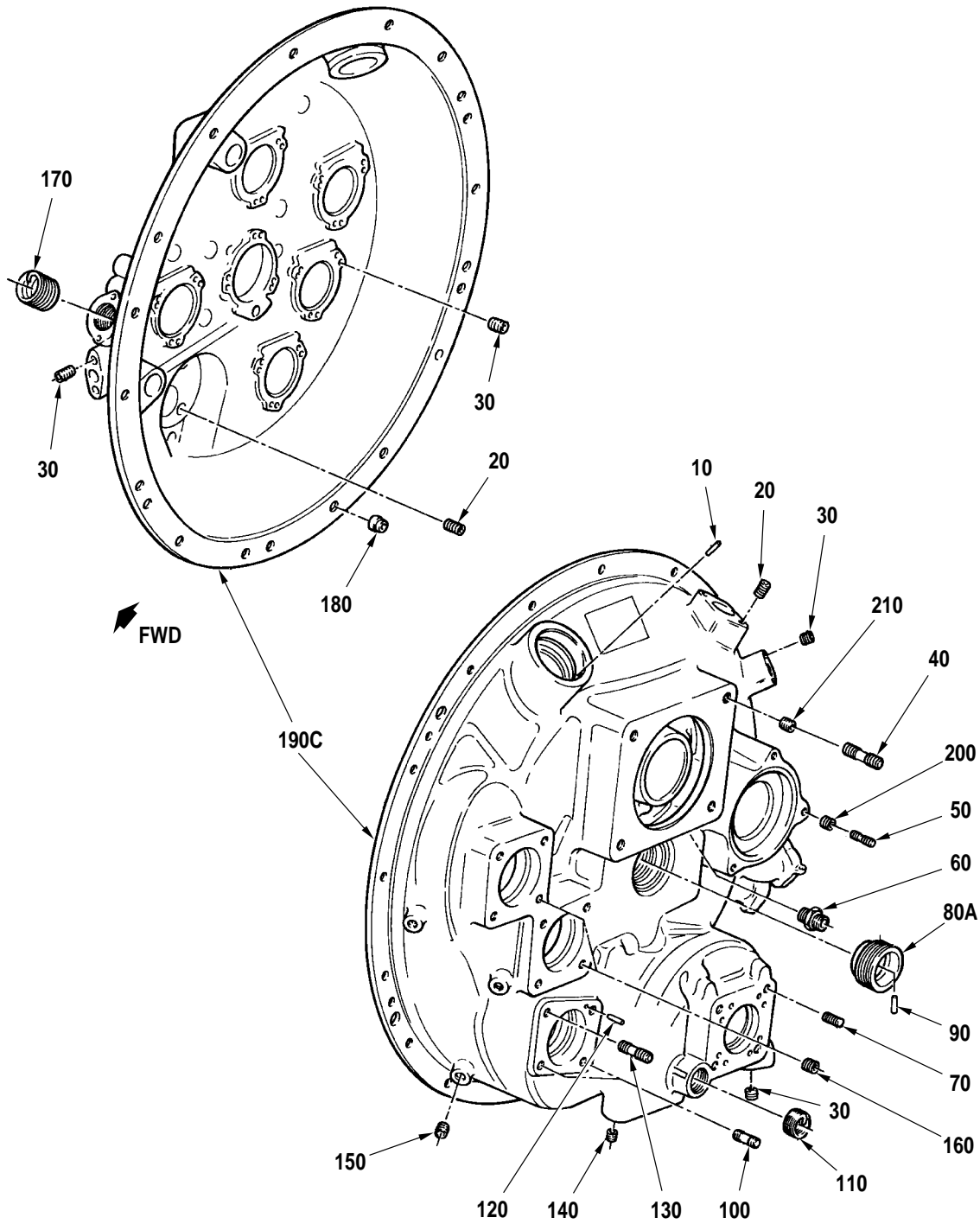
72-60-00

Figure 8

Page 1

Aug 27/2004

PRATT & WHITNEY CANADA
ILLUSTRATED PARTS CATALOG
MANUAL PART NO. 3013244



Housing Assembly, Accessory Gearbox
Figure 8

C52050

72-60-00

Figure 8

Page 2

Aug 27/2004

PRATT & WHITNEY CANADA
ILLUSTRATED PARTS CATALOG
MANUAL PART NO. 3013244

FIG. ITEM	PART NUMBER	AIRLINE PART NUMBER	NOMENCLATURE	EFFECT CODE	UNITS PER ASSY
8			1234567		
- 1	3012136		HOUSING ASSEMBLY, ACCESSORY GEARBOX SEE FIG. 2 FOR NHA PRE-SB1045 PRE-SB1421R2 NONINTR WITH P/N 3012136SB1421 INTRCHG WITH P/N 3013449	A	1
	3012136SB1045		HOUSING ASSEMBLY, ACCESSORY GEARBOX REWORKED FROM P/N 3012136 POST-SB1045	A	RWK
	3012136SB1421		HOUSING ASSEMBLY, ACCESSORY GEARBOX REWORKED FROM P/N 3012136 POST-SB1421R2	A	RWK
- 1A	3013449		HOUSING ASSEMBLY, ACCESSORY GEARBOX SEE FIG. 2 FOR NHA PRE-SB1045 PRE-SB1104 PRE-SB1421R2 INTRCHG WITH P/N 3013449SB1104 NONINTR WITH P/N 3013449SB1421 INTRCHG WITH P/N 3013515	A B	1
	3013449SB1045		HOUSING ASSEMBLY, ACCESSORY GEARBOX REWORKED FROM P/N 3013449 POST-SB1045	A B	RWK
	3013449SB1104		HOUSING ASSEMBLY, ACCESSORY GEARBOX REWORKED FROM P/N 3013449 POST-SB1104	A B	RWK
	3013449SB1421		HOUSING ASSEMBLY, ACCESSORY GEARBOX REWORKED FROM P/N 3013449 POST-SB1421R2	A B	RWK
- 1B	3013515		HOUSING ASSEMBLY, ACCESSORY GEARBOX SEE FIG. 2 FOR NHA PRE-SB1421R2 NONINTR WITH P/N 3013515SB1421 NONINTR WITH P/N 3018950	A B	1
	3013515SB1421		HOUSING ASSEMBLY, ACCESSORY GEARBOX REWORKED FROM P/N 3013515 POST-SB1421R2	A B	RWK

CONTINUED

- ITEM NOT ILLUSTRATED

EFF MODEL A PT6A-27 B PT6A-28	EFF MODEL	EFF MODEL
-------------------------------------	-----------	-----------

PRATT & WHITNEY CANADA
ILLUSTRATED PARTS CATALOG
MANUAL PART NO. 3013244

FIG. ITEM	PART NUMBER	AIRLINE PART NUMBER	NOMENCLATURE	EFFECT CODE	UNITS PER ASSY
8			1234567		
- 1C	3018950		HOUSING ASSEMBLY, ACCESSORY GEARBOX FOR ENGINES BUILT TO BS392, BS414, BS622, BS624, BS877, BS954 FOR ENGINES BUILT TO BS418, BS475, BS610 SEE FIG. 2 FOR NHA PRE-SB1386 PRE-SB1421R2 PRE-SB1502 NONINTR WITH P/N 3018950SB1421 RESTRICTED INTERCHANGEABILITY WITH P/N 3119972-01. REFER TO APPLICABLE SERVICE BULLETIN.	A B C	1
	3018950SB1421		HOUSING ASSEMBLY, ACCESSORY GEARBOX REWORKED FROM P/N 3018950 POST-SB1421R2	A B C	RWK
- 1D	3024295		HOUSING ASSEMBLY, ACCESSORY GEARBOX FOR ENGINES BUILT TO BS801 SEE FIG. 2 FOR NHA SEE NOTE 1 PRE-SB1421 PRE-SB1502 PRE-PT6A SPB NO.82 RESTRICTED INTERCHANGEABILITY WITH P/N 3119976-01. REFER TO APPLICABLE SERVICE BULLETIN. TWO-WAY INTRCHG WITH P/N 3052910-01	A B C	1
- 1E	3033596		HOUSING ASSEMBLY, ACCESSORY GEARBOX SEE FIG. 2 FOR NHA SEE NOTE 2 POST-SB1386 PRE-SB1421R2 NONINTR WITH P/N 3033596SB1421	A B C	1
	3033596(SB1421)		HOUSING ASSEMBLY, ACCESSORY GEARBOX REWORKED FROM P/N 3033596 POST-SB1421R2	A B C	RWK

CONTINUED

- ITEM NOT ILLUSTRATED

EFF MODEL	EFF MODEL	EFF MODEL
A PT6A-27		
B PT6A-28		
C PT6A-21		

72-60-00

Figure 8

Page 4

Aug 27/2004

PRATT & WHITNEY CANADA
ILLUSTRATED PARTS CATALOG
MANUAL PART NO. 3013244

FIG. ITEM	PART NUMBER	AIRLINE PART NUMBER	1234567 NOMENCLATURE	EFFECT CODE	UNITS PER ASSY
8					
- 1F	3035167		HOUSING ASSEMBLY, ACCESSORY GEARBOX SEE FIG. 2 FOR NHA MAY BE OBTAINED BY REWORK OF P/N 3024295 SEE NOTE 3 POST-SB1421R2	A B C	1
- 1G	DELETED		TRANSFERRED TO ITEM 1		
- 1H	DELETED		TRANSFERRED TO ITEM 1A		
- 1J	DELETED		TRANSFERRED TO ITEM 1B		
1K	DELETED		TRANSFERRED TO ITEM 1C		
- 1L	DELETED		TRANSFERRED TO ITEM 1E		
- 1M	3119972-01		HOUSING ASSEMBLY, ACCESSORY GEARBOX FOR ENGINES BUILT TO BS571 SEE FIG. 2 FOR NHA MAY BE OBTAINED BY REWORK OF P/N 3018950 SEE NOTE 4 POST-SB1502	C	1
- 1N	3119976-01		HOUSING ASSEMBLY, ACCESSORY GEARBOX FOR ENGINES BUILT TO BS671, BS788, BS1141 SEE FIG. 2 FOR NHA MAY BE OBTAINED BY REWORK OF P/N 3024295 SEE NOTE 4 POST-SB1502 PRE-PT6A SPB NO.82 TWO-WAY INTRCHG WITH P/N 3052909- 01	C	1
- 1P	3052909-01		HOUSING ASSEMBLY, ACCESSORY GEARBOX FOR ENGINES BUILT TO BS671, BS788, BS1141 SEE FIG. 2 FOR NHA POST-PT6A SPB NO.82	C	1
- 1Q	3052910-01		HOUSING ASSEMBLY, ACCESSORY GEARBOX FOR ENGINES BUILT TO BS801 SEE FIG. 2 FOR NHA POST-PT6A SPB NO.82	A B C	1

CONTINUED

- ITEM NOT ILLUSTRATED

EFF MODEL A PT6A-27 B PT6A-28 C PT6A-21	EFF MODEL	EFF MODEL
--	-----------	-----------

72-60-00
Figure 8
Page 5
Aug 27/2004

PRATT & WHITNEY CANADA
ILLUSTRATED PARTS CATALOG
MANUAL PART NO. 3013244

FIG. ITEM	PART NUMBER	AIRLINE PART NUMBER	NOMENCLATURE	EFFECT CODE	UNITS PER ASSY
8			1234567		
10	3003987		.PIN, LOCK FOR ENGINES BUILT TO BS392, BS414, BS622, BS624, BS801, BS877, BS954 FOR ENGINES BUILT TO BS418, BS475, BS610 FOR ENGINES BUILT TO BS571, BS671, BS788, BS1141	A B C	1
20	MS124775		.INSERT, HELICAL COIL FOR ENGINES BUILT TO BS392, BS414, BS622, BS624, BS801, BS877, BS954 FOR ENGINES BUILT TO BS418, BS475, BS610 FOR ENGINES BUILT TO BS571, BS671, BS788, BS1141	A B C	6
30	MS124735		.INSERT, HELICAL COIL FOR ENGINES BUILT TO BS392, BS414, BS622, BS624, BS801, BS877, BS954 FOR ENGINES BUILT TO BS418, BS475, BS610 FOR ENGINES BUILT TO BS571, BS671, BS788, BS1141	A B C	24
40	AN126336		.STUD, STRAIGHT FOR ENGINES BUILT TO BS392, BS414, BS622, BS624, BS801, BS877, BS954 FOR ENGINES BUILT TO BS418, BS475, BS610 FOR ENGINES BUILT TO BS571, BS671, BS788, BS1141	A B C	4
	AN126337		..STUD, 0.003 IN. OVS		AR
	AN126338		..STUD, 0.006 IN. OVS		AR
50	AN126234		.STUD, STRAIGHT FOR ENGINES BUILT TO BS392, BS414, BS622, BS624, BS801, BS877, BS954 FOR ENGINES BUILT TO BS418, BS475, BS610 FOR ENGINES BUILT TO BS571, BS671, BS788, BS1141	A B C	3
	AN126235		..STUD, 0.003 IN. OVS		AR
	AN126236		..STUD, 0.006 IN. OVS		AR

CONTINUED

- ITEM NOT ILLUSTRATED

EFF MODEL	EFF MODEL	EFF MODEL
A PT6A-27		
B PT6A-28		
C PT6A-21		

72-60-00
Figure 8
Page 6
Aug 27/2004

PRATT & WHITNEY CANADA
ILLUSTRATED PARTS CATALOG
MANUAL PART NO. 3013244

FIG. ITEM	PART NUMBER	AIRLINE PART NUMBER	NOMENCLATURE	EFFECT CODE	UNITS PER ASSY
8			1234567		
60	3011185		.ADAPTOR, STRAIGHT, DRAIN FOR ENGINES BUILT TO BS392, BS414, BS622, BS624, BS801, BS877, BS954 FOR ENGINES BUILT TO BS418, BS475, BS610 FOR ENGINES BUILT TO BS571, BS671, BS788, BS1141	A B C	1
70	AN125994		.STUD, STRAIGHT FOR ENGINES BUILT TO BS392, BS414, BS622, BS624, BS801, BS877, BS954 FOR ENGINES BUILT TO BS418, BS475, BS610 FOR ENGINES BUILT TO BS571, BS671, BS788, BS1141	A B C	4
	AN125995		..STUD, 0.003 IN. OVS		AR
	AN125996		..STUD, 0.006 IN. OVS		AR
- 80	3011408		.ADAPTER, ACCESS PLUG NONINTR WITH P/N 3019121	A B	1
80A	3019121		.ADAPTER, ACCESS PLUG FOR ENGINES BUILT TO BS392, BS414, BS622, BS624, BS801, BS877, BS954 FOR ENGINES BUILT TO BS418, BS475, BS610 FOR ENGINES BUILT TO BS571, BS671, BS788, BS1141 (REPAIR PART) POST-SB1045 POST-SB1421	A B C	1
90	AN150357		.PIN, LOCK FOR ENGINES BUILT TO BS392, BS414, BS622, BS624, BS801, BS877, BS954 FOR ENGINES BUILT TO BS418, BS475, BS610 FOR ENGINES BUILT TO BS571, BS671, BS788, BS1141 (REPAIR PART) POST-SB1421	A B C	2
100	AN154726		.STUD, STEPPED FOR ENGINES BUILT TO BS392, BS414, BS622, BS624, BS801, BS877, BS954 FOR ENGINES BUILT TO BS418, BS475, BS610 FOR ENGINES BUILT TO BS571, BS671, BS788, BS1141	A B C	2

CONTINUED

- ITEM NOT ILLUSTRATED

EFF MODEL A PT6A-27 B PT6A-28 C PT6A-21	EFF MODEL	EFF MODEL
--	-----------	-----------

72-60-00

Figure 8

Page 7

Aug 27/2004

PRATT & WHITNEY CANADA
ILLUSTRATED PARTS CATALOG
MANUAL PART NO. 3013244

FIG. ITEM	PART NUMBER	AIRLINE PART NUMBER	NOMENCLATURE	EFFECT CODE	UNITS PER ASSY
			1234567		
8	AN154727		. .STUD, 0.003 IN. OVS		AR
	AN154728		. .STUD, 0.006 IN. OVS		AR
110	3006148		. INSERT, HELICAL COIL FOR ENGINES BUILT TO BS392, BS414, BS622, BS624, BS801, BS877, BS954 FOR ENGINES BUILT TO BS418, BS475, BS610 FOR ENGINES BUILT TO BS571, BS671, BS788, BS1141	A B C	1
120	AN122706		. PIN, DOWEL, STEEL	A B C	1
- 120A	MS9390-310		. PIN, STRAIGHT, HEADLESS FOR ENGINES BUILT TO BS392, BS414, BS622, BS624, BS801, BS877, BS954 FOR ENGINES BUILT TO BS418, BS475, BS610 FOR ENGINES BUILT TO BS571	A B C	1
130	AN126000		. STUD, STRAIGHT FOR ENGINES BUILT TO BS392, BS414, BS622, BS624, BS801, BS877, BS954 FOR ENGINES BUILT TO BS418, BS475, BS610 FOR ENGINES BUILT TO BS571, BS671, BS788, BS1141	A B C	2
	AN126001		. .STUD, 0.003 IN. OVS		AR
	AN126002		. .STUD, 0.006 IN. OVS		AR
140	MS124736		. INSERT, HELICAL COIL FOR ENGINES BUILT TO BS392, BS414, BS622, BS624, BS801, BS877, BS954 FOR ENGINES BUILT TO BS418, BS475, BS610 FOR ENGINES BUILT TO BS571, BS671, BS788, BS1141	A B C	3
150	3007311		. INSERT, SCREW THD, SELF-LOCKING FOR ENGINES BUILT TO BS392, BS414, BS622, BS624, BS801, BS877, BS954 FOR ENGINES BUILT TO BS418, BS475, BS610 FOR ENGINES BUILT TO BS571, BS671, BS788, BS1141	A B C	3
CONTINUED					

- ITEM NOT ILLUSTRATED

EFF MODEL	EFF MODEL	EFF MODEL
A PT6A-27		
B PT6A-28		
C PT6A-21		

72-60-00

Figure 8

Page 8

Aug 27/2004

PRATT & WHITNEY CANADA
ILLUSTRATED PARTS CATALOG
MANUAL PART NO. 3013244

FIG. ITEM	PART NUMBER	AIRLINE PART NUMBER	NOMENCLATURE	EFFECT CODE	UNITS PER ASSY
8			1234567		
160	3011119		.INSERT, SCREW THD, SELF-LOCKING FOR ENGINES BUILT TO BS392, BS414, BS622, BS624, BS801, BS877, BS954 FOR ENGINES BUILT TO BS418, BS475, BS610 FOR ENGINES BUILT TO BS571, BS671, BS788, BS1141	A B C	8
170	3006066		.INSERT, HELICAL COIL FOR ENGINES BUILT TO BS392, BS414, BS622, BS624, BS801, BS877, BS954 FOR ENGINES BUILT TO BS418, BS475, BS610 FOR ENGINES BUILT TO BS571, BS671, BS788, BS1141	A B C	1
180	3004127		.DOWEL, SHOULDERED FOR ENGINES BUILT TO BS392, BS414, BS622, BS624, BS801, BS877, BS954 FOR ENGINES BUILT TO BS418, BS475, BS610 FOR ENGINES BUILT TO BS571, BS671, BS788, BS1141	A B C	1
- 190	3012135		.HOUSING, ACCESSORY GEARBOX COMPONENT OF P/N 3012136	A B	NP
- 190A	3013448		.HOUSING, ACCESSORY GEARBOX COMPONENT OF P/N 3013449	A B	NP
- 190B	3013514		.HOUSING, ACCESSORY GEARBOX COMPONENT OF P/N 3013515 POST-SB1045	A B	NP
190C	3018949		.HOUSING, ACCESSORY GEARBOX FOR ENGINES BUILT TO BS392, BS414, BS622, BS624, BS877, BS954 FOR ENGINES BUILT TO BS418, BS475, BS610 FOR ENGINES BUILT TO BS571 COMPONENT OF P/N 3018950 AND 3119972-01 POST-SB1141	A B C	NP
- 190D	3024294		.HOUSING, ACCESSORY GEARBOX FOR ENGINES BUILT TO BS801 COMPONENT OF P/N 3024295 SEE NOTE 1 PRE-PT6A SPB NO.82 TWO-WAY INTRCHG WITH P/N 3049846-01	A B C	NP

CONTINUED

- ITEM NOT ILLUSTRATED

EFF MODEL A PT6A-27 B PT6A-28 C PT6A-21	EFF MODEL	EFF MODEL
--	-----------	-----------

72-60-00

Figure 8

Page 9

Aug 27/2004

PRATT & WHITNEY CANADA
ILLUSTRATED PARTS CATALOG
MANUAL PART NO. 3013244

FIG. ITEM	PART NUMBER	AIRLINE PART NUMBER	NOMENCLATURE	EFFECT CODE	UNITS PER ASSY
8			1234567		
- 190E	3049846-01		..HOUSING, ACCESSORY GEARBOX FOR ENGINES BUILT TO BS801 FOR ENGINES BUILT TO BS671, BS788, BS1141 COMPONENT OF P/N 3052909-01 AND 3052910-01 POST-PT6A SPB NO.82	A B C	RWK
200	MS122201		KITS, REPAIR/SERVICE PARTS INSERT, HELICAL COIL (FOR SERVICE FIX)	A B C	AR
210	MS122202		INSERT, HELICAL COIL (FOR SERVICE FIX)	A B C	AR
			NOTE 1: USED FOR A LIMITED NUMBER OF ENGINES IN PT6A-21 BEECH INSTALLATIONS AND LATER REVERTED BACK TO THE PRIOR CONFIGURATION		
			NOTE 2: REWORK PART FOR ENGINES IN THE FIELD INCORPORATING WET SPLINE DRIVE CONFIGURATION		
			NOTE 3: REWORK PART WILL NOT BE SUPPLIED AS SPARE		
			NOTE 4: WHEN REPLACEMENT SET IS MORE THAN ONE P/N, OLD AND NEW PARTS ARE ONLY INTERCHANGEABLE IN COMPLETE SETS		
			NOTE 5: DELETED		
			NOTE 6: DELETED		

- ITEM NOT ILLUSTRATED

EFF MODEL	EFF MODEL	EFF MODEL
A PT6A-27		
B PT6A-28		
C PT6A-21		

72-60-00
Figure 8
Page 10
Aug 27/2004

Pressure Relief Valve

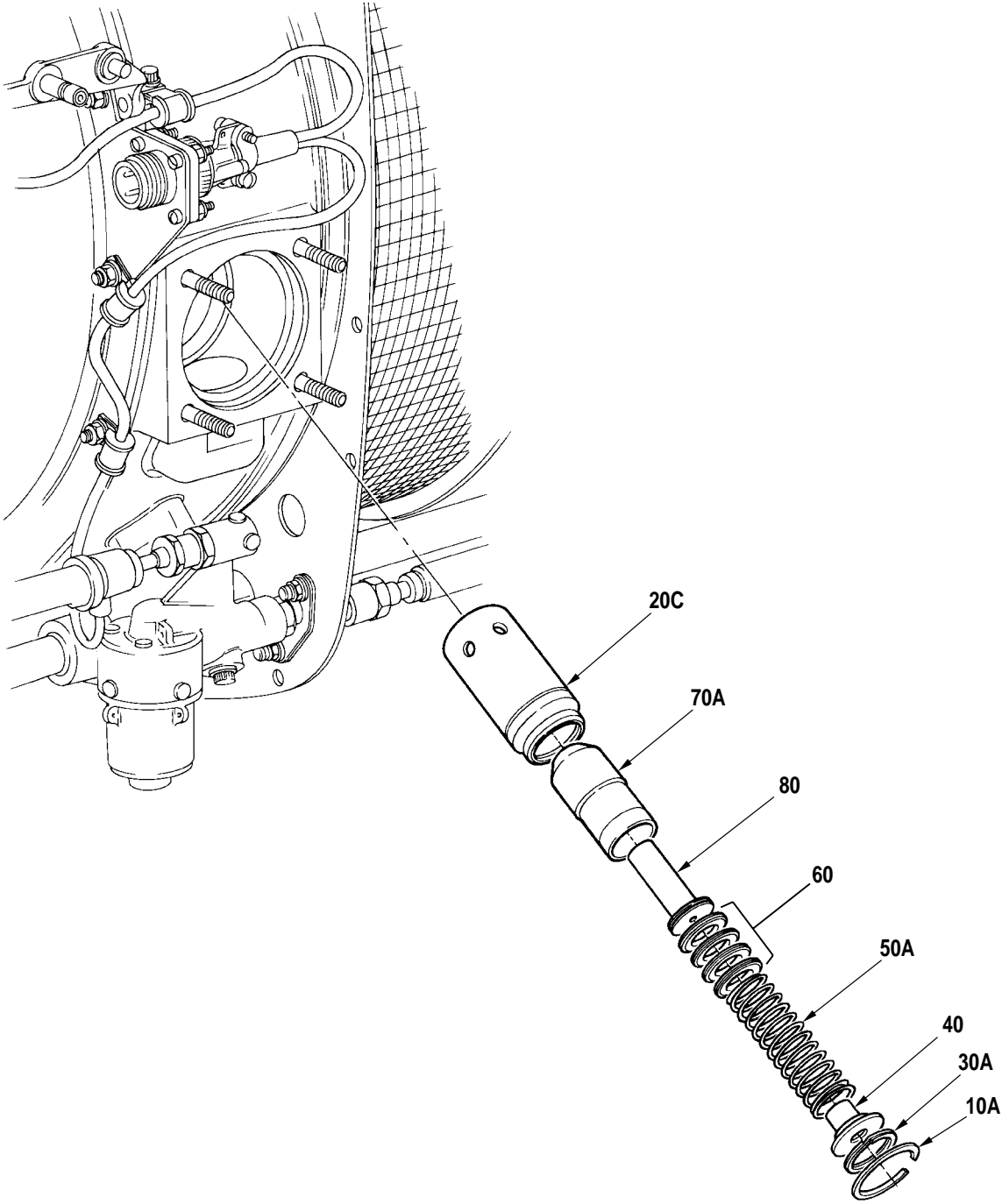
72-60-00

Figure 9

Page 1

Aug 27/2004

PRATT & WHITNEY CANADA
ILLUSTRATED PARTS CATALOG
MANUAL PART NO. 3013244



Pressure Relief Valve
Figure 9

C52080
72-60-00
Figure 9
Page 2
Aug 27/2004

PRATT & WHITNEY CANADA
ILLUSTRATED PARTS CATALOG
MANUAL PART NO. 3013244

FIG. ITEM	PART NUMBER	AIRLINE PART NUMBER	1234567 NOMENCLATURE	EFFECT CODE	UNITS PER ASSY
9					
- 1			PRESSURE RELIEF VALVE SEE 72-00-00 FIG. 1 FOR NHA	A B C	REF
- 10	3012517		.RING, RETAINING NONINTR WITH P/N 3026889	A B C	1
10A	3026889		.RING, RETAINING POST-SB1225	A B C	1
- 20	3012514		.SLEEVE, PRESSURE RELIEF VALVE NONINTR WITH P/N 3015382	A B	1
- 20A	3015382		.SLEEVE PRESSURE RELIEF VALVE POST-SB1097 NONINTR WITH P/N 3020937	A B	1
- 20B	3020937		.SLEEVE PRESSURE RELIEF VALVE POST-SB1160 NONINTR WITH P/N 3026887	A B C	1
20C	3026887		.SLEEVE PRESSURE RELIEF VALVE POST-SB1225	A B C	1
- 30	3008369		.RING, RETAINING PRE-SB1225 NONINTR WITH P/N 3017765	A B C	1
30A	3017765		.RING, RETAINING POST-SB1225 INTRCHG WITH P/N AS3215-110	A B C	1
- 30B	AS3215-110		.RING, RETAINING	A B C	1
30C	DELETED				
40	3012516		.SEAT, PRESSURE RELIEF VALVE SPRING	A B C	1
- 50	3012725		.SPRING, HELICAL COMPRESSION INTRCHG WITH P/N 3016645	A	1
50A	3016645		.SPRING, HELICAL COMPRESSION, 14 COILS POST-SB1097	A B C	1
60	3016646		.SPACER, PRESSURE RELIEF VALVE SPRING USE 0 TO 6 MAX.	A B C	AR
- 70	3012027		.VALVE, PRESSURE RELIEF NONINTR WITH P/N 3020958	A B	1

CONTINUED

- ITEM NOT ILLUSTRATED

EFF MODEL A PT6A-27 B PT6A-28 C PT6A-21	EFF MODEL	EFF MODEL
--	-----------	-----------

72-60-00
Figure 9
Page 3
Aug 27/2004

PRATT & WHITNEY CANADA
ILLUSTRATED PARTS CATALOG
MANUAL PART NO. 3013244

FIG. ITEM	PART NUMBER	AIRLINE PART NUMBER	NOMENCLATURE	EFFECT CODE	UNITS PER ASSY
9			1234567		
70A	3020958		.VALVE, PRESSURE RELIEF POST-SB1160	A B C	1
80	3020904		.GUIDE, OIL OUTLET PRESSURE RELIEF VALVE POST-SB1160	A B C	1

- ITEM NOT ILLUSTRATED

EFF MODEL	EFF MODEL	EFF MODEL
A PT6A-27		
B PT6A-28		
C PT6A-21		

72-60-00

Figure 9

Page 4

Aug 27/2004

Oil Filler Cap and Dipstick Assembly Installation

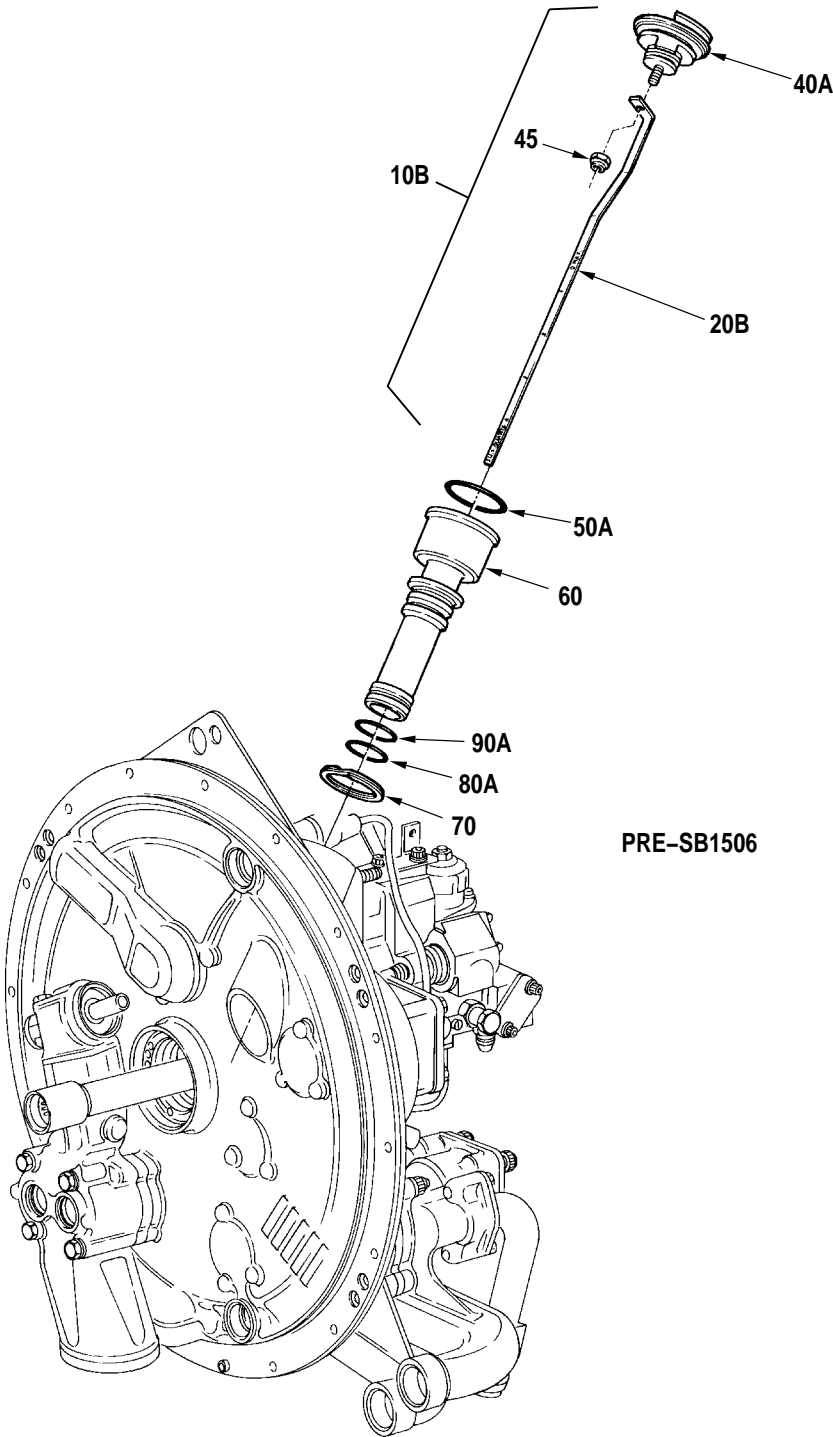
72-60-00

Figure 10

Page 1

Aug 27/2004

PRATT & WHITNEY CANADA
ILLUSTRATED PARTS CATALOG
MANUAL PART NO. 3013244



Oil Filler Cap and Dipstick Assembly Installation
Figure 10 (Sheet 1 of 2)

C52082A

72-60-00

Figure 10

Page 2

Aug 27/2004

PRATT & WHITNEY CANADA
ILLUSTRATED PARTS CATALOG
MANUAL PART NO. 3013244

FIG. ITEM	PART NUMBER	AIRLINE PART NUMBER	1234567 NOMENCLATURE	EFFECT CODE	UNITS PER ASSY
10					
- 1			OIL FILLER CAP AND DIPSTICK ASSEMBLY INSTALLATION SEE 72-00-00 FIG. 1 FOR NHA	A B C	REF
- 10	3004095		. FILLER CAP AND DIPSTICK ASSY PRE-SB1183 PRE-SB1357R2 NONINTR WITH P/N 3020908 TWO-WAY INTRCHG WITH P/N 3102382-01	A	1
- 10A	3020908		. FILLER CAP AND DIPSTICK ASSY, OIL POST-SB1183 PRE-SB1357 TWO-WAY INTRCHG WITH P/N 3102382-01	A B C	1
10B	3102382-01		. FILLER CAP AND GAGE ASSY, OIL TANK FOR ENGINES BUILT TO BS954 FOR ENGINES BUILT TO BS365, BS418, BS419, BS473, BS475, BS485, BS570, BS610 FOR ENGINES BUILT TO BS788, BS789 MAY BE OBTAINED BY REWORK OF P/N 3004095 OR 3020908 POST-SB1357 POST-SB1357R2 PRE-SB1506 RESTRICTED INTERCHANGEABILITY WITH P/N 3115095-01. REFER TO APPLICABLE SERVICE BULLETIN.	A B C	1
10C	3115095-01		. FILLER CAP AND GAGE ASSY, OIL TANK FOR ENGINES BUILT TO BS622, BS624, BS877 FOR ENGINES BUILT TO BS1141 MAY BE OBTAINED BY REWORK OF P/N 3102382-01 POST-SB1506	A B C	1
- 20	3004096		..DIPSTICK, OIL TANK COMPONENT OF P/N 3004095	A B	1
- 20A	3020936		..DIPSTICK, OIL TANK COMPONENT OF P/N 3020908 PRE-SB1357 INTRCHG WITH P/N 3102381-01	A B C	1

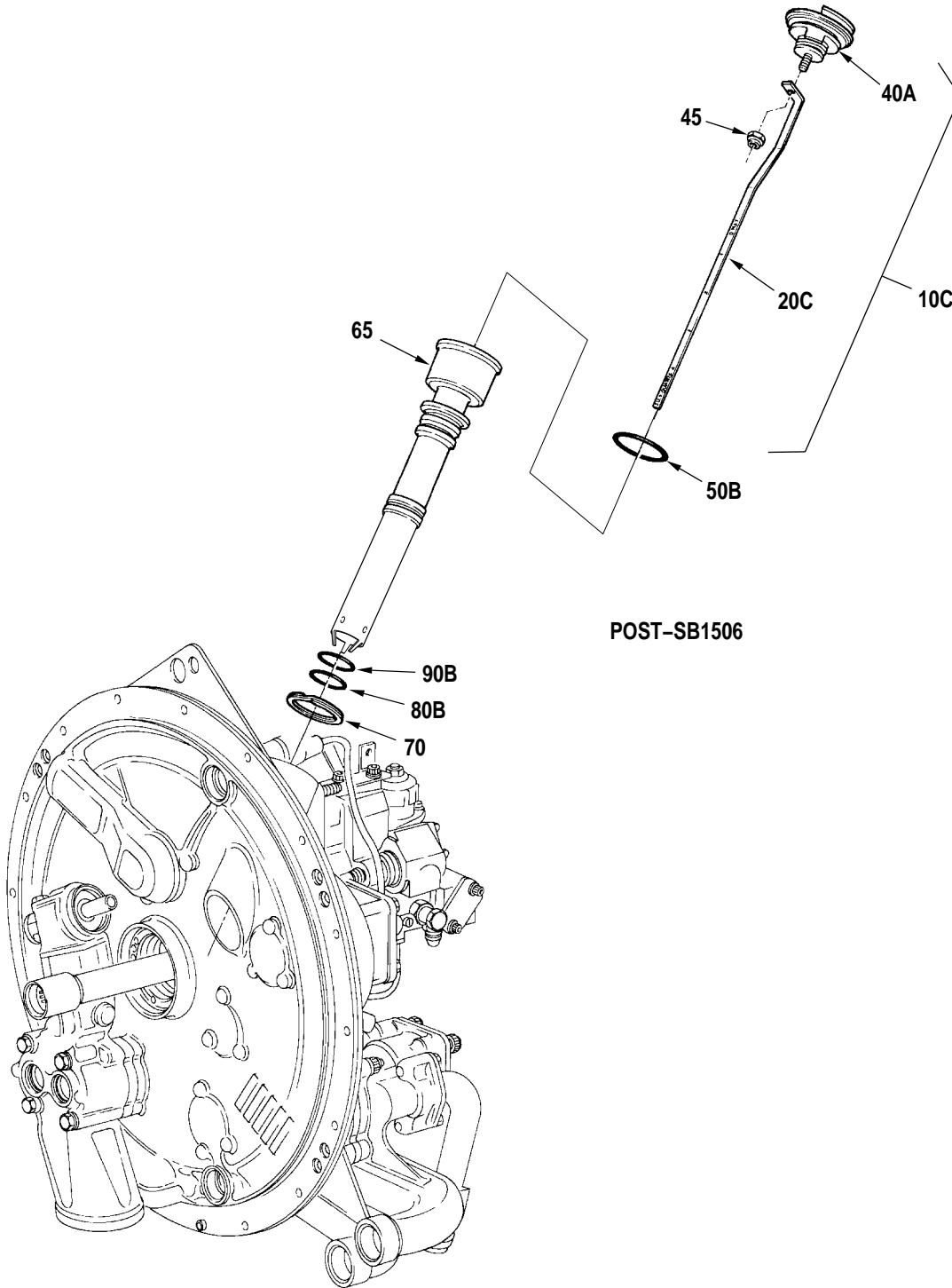
CONTINUED

- ITEM NOT ILLUSTRATED

EFF MODEL A PT6A-27 B PT6A-28 C PT6A-21	EFF MODEL	EFF MODEL
--	-----------	-----------

72-60-00
Figure 10
Page 3
Aug 27/2004

PRATT & WHITNEY CANADA
ILLUSTRATED PARTS CATALOG
MANUAL PART NO. 3013244



Oil Filler Cap and Dipstick Assembly Installation
Figure 10 (Sheet 2 of 2)

C67950
72-60-00
Figure 10
Page 4
Aug 27/2004

PRATT & WHITNEY CANADA
ILLUSTRATED PARTS CATALOG
MANUAL PART NO. 3013244

FIG. ITEM	PART NUMBER	AIRLINE PART NUMBER	1234567 NOMENCLATURE	EFFECT CODE	UNITS PER ASSY
10					
20B	3102381-01		..GAGE, OIL TANK FOR ENGINES BUILT TO BS954 FOR ENGINES BUILT TO BS365, BS418, BS419, BS473, BS475, BS485, BS570, BS610 FOR ENGINES BUILT TO BS788, BS789 COMPONENT OF P/N 3102382-01 POST-SB1357 PRE-SB1506 RESTRICTED INTERCHANGEABILITY WITH P/N 3115094-01. REFER TO APPLICABLE SERVICE BULLETIN.	A B C	1
20C	3115094-01		..GAGE, OIL TANK FOR ENGINES BUILT TO BS622, BS624, BS877 FOR ENGINES BUILT TO BS1141 COMPONENT OF P/N 3115095-01 POST-SB1506 ATTACHING PARTS	A B C	1
- 30	AN125555		..RIVET, UNIVERSAL COMPONENT OF P/N 3004095 -----*-----	A B	1
- 40	3006084		..FILLER CAP, OIL COMPONENT OF P/N 3004095	A B	1
40A	3020907		..FILLER CAP, OIL FOR ENGINES BUILT TO BS622, BS624, BS877, BS954 FOR ENGINES BUILT TO BS365, BS418, BS419, BS473, BS475, BS485, BS570, BS610 FOR ENGINES BUILT TO BS788, BS789, BS1141	A B C	1
45	MS21046C3S		...NUT, SLFLKG, HEX COMPONENT OF P/N 3020907	A B C	REF
- 50	3006085		.PACKING, PREFORMED INTRCHG WITH P/N MS9388-222	A B C	1
50A	MS9388-222		.PACKING, PREFORMED INTRCHG WITH P/N AS3209-222	A B C	1
50B	AS3209-222		.PACKING, PREFORMED	A B C	1

CONTINUED

- ITEM NOT ILLUSTRATED

EFF MODEL A PT6A-27 B PT6A-28 C PT6A-21	EFF MODEL	EFF MODEL
--	-----------	-----------

72-60-00
Figure 10
Page 5
Aug 27/2004

PRATT & WHITNEY CANADA
ILLUSTRATED PARTS CATALOG
MANUAL PART NO. 3013244

FIG. ITEM	PART NUMBER	AIRLINE PART NUMBER	NOMENCLATURE	EFFECT CODE	UNITS PER ASSY
10			1234567		
60	3004097		.TUBE, FLANGED, OIL FILLER FOR ENGINES BUILT TO BS954 FOR ENGINES BUILT TO BS365, BS418, BS419, BS473, BS475, BS485, BS570, BS610 FOR ENGINES BUILT TO BS788, BS789 PRE-SB1506 RESTRICTED INTERCHANGEABILITY WITH P/N 3115093-01. REFER TO APPLICABLE SERVICE BULLETIN.	A B C	1
65	3115093-01		.VALVE ASSY, OIL FILLER TUBE FOR ENGINES BUILT TO BS622, BS624, BS877 FOR ENGINES BUILT TO BS1141 POST-SB1506	A B C	1
- 67	3115092-01		..TUBE, FLANGED, OIL FILLER FOR ENGINES BUILT TO BS1141 COMPONENT OF P/N 3115093-01 POST-SB1506	A B C	1
- 68	3115091-01		..BALL, PLASTIC, 0.750 FOR ENGINES BUILT TO BS1141 COMPONENT OF P/N 3115093-01 POST-SB1506	A B C	1
			ATTACHING PARTS		
70	3004105		.RING, RETAINING	A B C	1
			-----*-----		
- 80	3001644		.PACKING, PREFORMED INTRCHG WITH P/N MS9388-022	A B C	1
80A	MS9388-022		.PACKING, PREFORMED INTRCHG WITH P/N AS3209-022	A B C	1
80B	AS3209-022		.PACKING, PREFORMED	A B C	1
- 90	3004107		.PACKING, PREFORMED INTRCHG WITH P/N MS9388-025	A B C	1
90A	MS9388-025		.PACKING, PREFORMED INTRCHG WITH P/N AS3209-025	A B C	1

CONTINUED

- ITEM NOT ILLUSTRATED

EFF MODEL	EFF MODEL	EFF MODEL
A PT6A-27		
B PT6A-28		
C PT6A-21		

72-60-00
Figure 10
Page 6
Aug 27/2004

PRATT & WHITNEY CANADA
ILLUSTRATED PARTS CATALOG
MANUAL PART NO. 3013244

FIG. ITEM	PART NUMBER	AIRLINE PART NUMBER	1234567 NOMENCLATURE	EFFECT CODE	UNITS PER ASSY
10 90B	AS3209-025		.PACKING, PREFORMED	A B C	1

- ITEM NOT ILLUSTRATED

EFF MODEL A PT6A-27 B PT6A-28 C PT6A-21	EFF MODEL	EFF MODEL
--	-----------	-----------

72-60-00
Figure 10
Page 7/8
Aug 27/2004

