

PRATT & WHITNEY CANADA
ILLUSTRATED PARTS CATALOG
MANUAL PART NO. 3013244

LIST OF EFFECTIVE PAGES

<u>CHAPTER SECTION</u>	<u>PAGE</u>	<u>DATE</u>	<u>CHAPTER SECTION</u>	<u>PAGE</u>	<u>DATE</u>	
LEP	1	Aug 27/2004	72-50-04 Figure 2	1	Aug 27/2004	
	2	blank		2	Aug 27/2004	
				3	Aug 27/2004	
Contents	1	Aug 27/2004		4	Aug 27/2004	
	2	blank		5	Aug 27/2004	
				6	Aug 27/2004	
72-50-01 Figure 1	1	Aug 27/2004	72-50-05 Figure 1	1	Aug 27/2004	
	2	Aug 27/2004		2	Aug 27/2004	
	3	Aug 27/2004		3	Aug 27/2004	
	4	Aug 27/2004		4	Aug 27/2004	
	5	Aug 27/2004		5	Aug 27/2004	
	6	Aug 27/2004		6	blank	Aug 27/2004
	7	Aug 27/2004				
	8	Aug 27/2004				
72-50-02 Figure 1	1	Aug 27/2004				
	2	Aug 27/2004				
	3	Aug 27/2004				
	4	Aug 27/2004				
	5	Aug 27/2004				
	6	Aug 27/2004				
	7	Aug 27/2004				
	8	blank	Aug 27/2004			
72-50-03 Figure 1	1	Aug 27/2004				
	2	Aug 27/2004				
	3	Aug 27/2004				
	4	Aug 27/2004				
	5	Aug 27/2004				
	6	Aug 27/2004				
	7	Aug 27/2004				
	8	blank	Aug 27/2004			
72-50-04 Figure 1	1	Aug 27/2004				
	2	Aug 27/2004				
	3	Aug 27/2004				
	4	Aug 27/2004				
	5	Aug 27/2004				
	6	Aug 27/2004				
	7	Aug 27/2004				
	8	blank	Aug 27/2004			

PRATT & WHITNEY CANADA
ILLUSTRATED PARTS CATALOG
MANUAL PART NO. 3013244

TABLE OF CONTENTS

<u>TITLE</u>	<u>CH/SE/SU</u>	<u>FIGURE</u>
Compressor Turbine Vane Ring, Shroud And Duct Group	72-50-01	1
Compressor Turbine Installation	72-50-02	1
Power Turbine Interstage Installation And Containment Ring Group	72-50-03	1
Power Turbine Installation	72-50-04	1
Rotor Balancing Assembly, Power Turbine	72-50-04	2
Exhaust Duct And Insulation Blanket Group	72-50-05	1

Compressor Turbine Vane Ring, Shroud And Duct Group

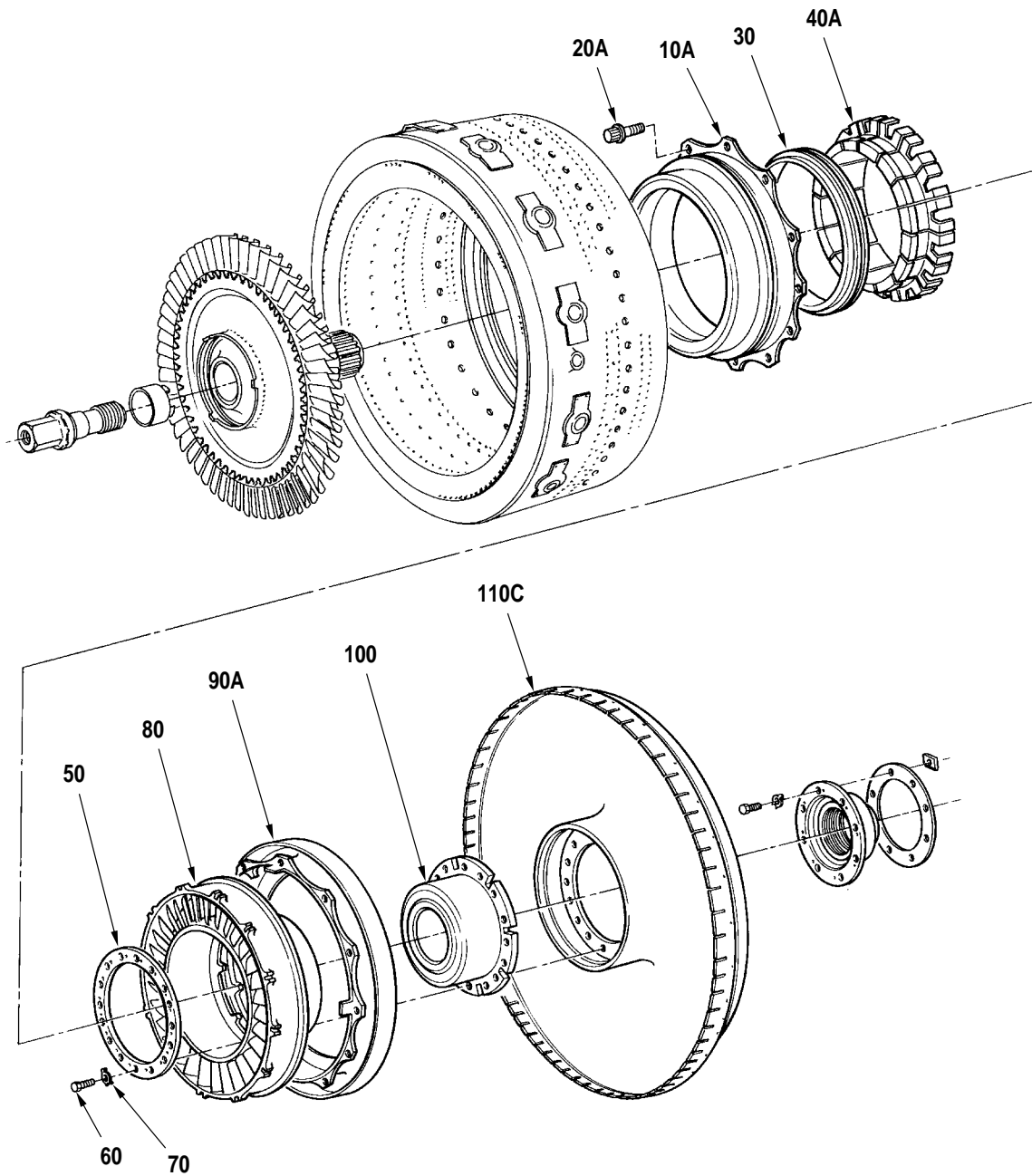
72-50-01

Figure 1

Page 1

Aug 27/2004

PRATT & WHITNEY CANADA
ILLUSTRATED PARTS CATALOG
MANUAL PART NO. 3013244



Compressor Turbine Vane Ring, Shroud And Duct Group **72-50-01**
Figure 1

PRATT & WHITNEY CANADA
ILLUSTRATED PARTS CATALOG
MANUAL PART NO. 3013244

FIG. ITEM	PART NUMBER	AIRLINE PART NUMBER	NOMENCLATURE	EFFECT CODE	UNITS PER ASSY
1			1234567		
- 1			COMPRESSOR TURBINE VANE RING, SHROUD AND DUCT GROUP SEE 72-00-00 FIG. 1 FOR NHA	A B C	REF
- 10	3010681		.HOUSING, COMPRESSOR TURBINE	A B	1
10A	3020258		.HOUSING, COMPRESSOR TURBINE SHROUD POST-SB1157 NONINTR WITH P/N 3028768	A B C	1
- 10B	3028768		.HOUSING, COMPRESSOR TURBINE SHROUD POST-SB1305	A B C	1
			ATTACHING PARTS		
- 20	3012061		.BOLT, MACHINE, DRD, DBL INTRCHG WITH P/N MS9714-04	A B	12
20A	MS9714-04		.BOLT, MACHINE, DRD, DBL HEX	A B C	12
			-----*-----		
30	3006888		.SHIELD, HEAT COMPRESSOR TURBINE HOUSING (NOT REQUIRED WHEN P/N 3028768 IS FITTED, REF SB1305)	A B C	1
- 40	3012058CL		.SHROUD SEGMENT, COMPRESSOR TURBINE NONINTR WITH P/N 3019438CL	A B	4
40A	3019438CL		.SHROUD SEGMENT, SELECT THICKNESS BY CLASS POST-SB1158	A B C	16
	3019438CL1		..SHROUD, 0.042 - 0.045 IN.		AR
	3019438CL2		..SHROUD, 0.045 - 0.048 IN.		AR
	3019438CL3		..SHROUD, 0.048 - 0.051 IN.		AR
	3019438CL4		..SHROUD, 0.051 - 0.054 IN.		AR
	3019438CL5		..SHROUD, 0.054 - 0.057 IN.		AR
	3019438CL6		..SHROUD, 0.057 - 0.060 IN.		AR
	3019438CL7		..SHROUD, 0.060 - 0.063 IN.		AR
	3019438CL8		..SHROUD, 0.069 - 0.073 IN.		AR
	3019438CL9		..SHROUD, 0.079 - 0.083 IN.		AR
50	3012057		.PLATE, LOCK, COMPRESSOR TURBINE VANE RING	A B C	1

CONTINUED

- ITEM NOT ILLUSTRATED

EFF MODEL	EFF MODEL	EFF MODEL
A PT6A-27		
B PT6A-28		
C PT6A-21		

72-50-01
Figure 1
Page 3
Aug 27/2004

PRATT & WHITNEY CANADA
ILLUSTRATED PARTS CATALOG
MANUAL PART NO. 3013244

FIG. ITEM	PART NUMBER	AIRLINE PART NUMBER	NOMENCLATURE	EFFECT CODE	UNITS PER ASSY
			1234567		
1			ATTACHING PARTS		
60	3012466		.BOLT, MACHINE, HEX SEE NOTE 1 PRE-SB1513 TWO-WAY INTRCHG WITH P/N AS3303-09	A B C	16
- 60A	3013318		.BOLT, MACHINE, HEX 0.190-32UNJF X 0.750 SEE NOTE 1	A B C	16
- 60B	AS3303-09		.BOLT, MACHINE, HEX HEAD POST-SB1513 PRE-SB1543 TWO-WAY INTRCHG WITH P/N AS3303-10	A B C	16
- 60C	AS3303-10		.BOLT, MACHINE, HEX HEAD POST-SB1543	A B C	16
70	3001538		.WASHER, TAB INTRCHG WITH P/N MS9276-09	A B C	16
- 70A	MS9276-09		.WASHER, KEY	A B C	16
			-----*-----		
- 80	3010951CL		.VANE RING, TURBINE, COMPRESSOR PRE-SB1348 INTRCHG WITH P/N 3014851CL	A B	1
- 80A	3014851CL		.VANE RING, TURBINE, COMPRESSOR PRE-SB1348 INTRCHG WITH P/N 3015751CL	A B	1
- 80B	3015751CL		.VANE RING, TURBINE, COMPRESSOR PRE-SB1348 INTRCHG WITH P/N 3016951CL	A B	1
- 80C	3016951CL		.VANE RING, TURBINE, COMPRESSOR PRE-SB1348 INTRCHG WITH P/N 3030651CL13.1	A B	1
- 80D	3030651CL		.VANE RING, TURBINE, COMPRESSOR PRE-SB1348 INTRCHG WITH P/N 3032651CL13.1 SELECT AT ASSEMBLY	A B C	1
	3030651CL13.1		..VANE RING, TURBINE, COMPRESSOR		AR
	3030651CL13.2		..VANE RING, TURBINE, COMPRESSOR		AR
	3030651CL13.3		..VANE RING, TURBINE, COMPRESSOR		AR
	3030651CL13.4		..VANE RING, TURBINE, COMPRESSOR		AR

CONTINUED

- ITEM NOT ILLUSTRATED

EFF MODEL	EFF MODEL	EFF MODEL
A PT6A-27		
B PT6A-28		
C PT6A-21		

72-50-01

Figure 1

Page 4

Aug 27/2004

PRATT & WHITNEY CANADA
ILLUSTRATED PARTS CATALOG
MANUAL PART NO. 3013244

FIG. ITEM	PART NUMBER	AIRLINE PART NUMBER	NOMENCLATURE	EFFECT CODE	UNITS PER ASSY
			1234567		
1	3030651CL13.5		..VANE RING, TURBINE, COMPRESSOR		AR
- 80E	3032651CL		.VANE RING, TURBINE, COMPRESSOR POST-SB1348	A B C	1
	3032651CL13.1		..VANE RING, TURBINE, COMPRESSOR PRE-PT6A SPB NO.41 TWO-WAY INTRCHG WITH P/N 3032651CL01		AR
	3032651CL13.2		..VANE RING, TURBINE, COMPRESSOR		AR
	3032651CL13.3		..VANE RING, TURBINE, COMPRESSOR		AR
	3032651CL13.4		..VANE RING, TURBINE, COMPRESSOR		AR
	3032651CL13.5		..VANE RING, TURBINE, COMPRESSOR		AR
	3032651CL01		..VANE RING, TURBINE, COMPRESSOR POST-PT6A SPB NO.41		AR
	3032651CL02		..VANE RING, TURBINE, COMPRESSOR POST-PT6A SPB NO.41		AR
- 90	3012060		.DUCT ASSEMBLY, COMBUSTION CHAMBER EXIT, SMALL FOR ENGINES BUILT TO BS307, BS321, BS324, BS325, BS330, BS362, BS367, BS374, BS392, BS393, BS410, BS414, BS423, BS622, BS624, BS801, BS877 FOR ENGINES BUILT TO BS346 INTRCHG WITH P/N 3018652	A B C	1
90A	3018652		.DUCT ASSEMBLY, COMBUSTION CHAMBER EXIT, SMALL FOR ENGINES BUILT TO BS954 POST-SB1159 INTRCHG WITH P/N 3100953-01 SEE NOTE 2	A B C	1
- 90B	3100953-01		.DUCT ASSEMBLY, COMBUSTION CHAMBER EXIT, SMALL FOR ENGINES BUILT TO BS365, BS418, BS419, BS473, BS475, BS485, BS570, BS610 POST-SB1363	A B C	1
100	3011438		.COVER ASSEMBLY, COMPRESSOR TURBINE BEARING HOUSING	A B C	1
- 110	3011007		.DUCT ASSEMBLY, COMBUSTION CHAMBER EXIT, LARGE INTRCHG WITH P/N 3018651	A B	1

CONTINUED

- ITEM NOT ILLUSTRATED

EFF MODEL A PT6A-27 B PT6A-28 C PT6A-21	EFF MODEL	EFF MODEL
--	-----------	-----------

72-50-01
Figure 1
Page 5
Aug 27/2004

PRATT & WHITNEY CANADA
ILLUSTRATED PARTS CATALOG
MANUAL PART NO. 3013244

FIG. ITEM	PART NUMBER	AIRLINE PART NUMBER	NOMENCLATURE	EFFECT CODE	UNITS PER ASSY
			1234567		
1					
- 110A	3018651		. DUCT ASSEMBLY, COMBUSTION CHAMBER EXIT, LARGE POST-SB1159 NONINTR WITH P/N 3016062 SEE NOTE 2	A B	1
- 110B	3016062		. DUCT ASSEMBLY, COMBUSTION CHAMBER EXIT, LARGE POST-SB1175 INTRCHG WITH P/N 3022582 SEE NOTE 2	A B	1
110C	3022582		. DUCT ASSEMBLY, COMBUSTION CHAMBER EXIT, LARGE POST-SB1216 INTRCHG WITH P/N 3031167 SEE NOTE 2	A B C	1
- 110D	3031167		. DUCT ASSEMBLY, COMBUSTION CHAMBER EXIT, LARGE FOR ENGINES BUILT TO BS365, BS418, BS419, BS473, BS475, BS485, BS570, BS610 SEE NOTE 2 POST-SB1310 PRE-SB1434 INTRCHG WITH P/N 3109263-01	A B C	1
- 110E	3021379		. DUCT ASSEMBLY, COMBUSTION CHAMBER EXIT, LARGE POST-SB1175 INTRCHG WITH P/N 3031172 SEE NOTE 3	A B C	NP
- 110F	3031172		. DUCT ASSEMBLY, COMBUSTION CHAMBER EXIT, LARGE FOR ENGINES BUILT TO BS307, BS321, BS324, BS325, BS330, BS362, BS367, BS374, BS392, BS393, BS410, BS414, BS423, BS622, BS624, BS877 FOR ENGINES BUILT TO BS346 SEE NOTE 3 POST-SB1310 PRE-SB1434 INTRCHG WITH P/N 3109266-01	A B C	NP
- 110G	3028381		. DUCT ASSEMBLY, COMBUSTION CHAMBER EXIT, LARGE SEE NOTE 4	A B C	NP
- 110H	3030136		. DUCT ASSEMBLY, COMBUSTION CHAMBER EXIT, LARGE POST-SB1284 SEE NOTE 4	A B C	NP
CONTINUED					

- ITEM NOT ILLUSTRATED

EFF MODEL	EFF MODEL	EFF MODEL
A PT6A-27		
B PT6A-28		
C PT6A-21		

72-50-01
Figure 1
Page 6
Aug 27/2004

PRATT & WHITNEY CANADA
ILLUSTRATED PARTS CATALOG
MANUAL PART NO. 3013244

FIG. ITEM	PART NUMBER	AIRLINE PART NUMBER	NOMENCLATURE	EFFECT CODE	UNITS PER ASSY
1			1234567		
- 110J	3109263-01		.DUCT ASSEMBLY, COMBUSTION CHAMBER EXIT, LARGE FOR ENGINES BUILT TO BS954 FOR ENGINES BUILT TO BS365, BS418, BS419, BS473, BS475, BS485, BS570, BS610 MAY BE OBTAINED BY REWORK OF P/N 3031167 SEE NOTE 5 POST-SB1434	A B C	1
- 110K	3109266-01		.DUCT ASSEMBLY, COMBUSTION CHAMBER EXIT, LARGE FOR ENGINES BUILT TO BS307, BS321, BS324, BS325, BS330, BS362, BS367, BS374, BS392, BS393, BS410, BS414, BS423, BS622, BS624, BS877 REWORKED FROM P/N 3031172 SEE NOTE 6 POST-SB1434	A C	RWK
- 120	3028378		.DUCT, COMBUSTION CHAMBER EXIT, LARGE (REPAIR PART)	A B C	1
- 123	3109267-01		.WRAPPER, COMBUSTION CHAMBER LINER, OUTER, (REPAIR PART) SEE NOTE 7 POST-SB1434	A B C	1
- 125	3037788		RING, COMBUSTION CHAMBER EXIT, LARGE (REPAIR PART) SEE NOTE 7 POST-SB1434	A B C	1
			NOTE 2: COATED DUCT ASSEMBLIES P/N 3018652 OR 3018651 OR 3016062 OR 3022582 OR 3031167 MUST BE FITTED TO PT6A-28 ENGINES		
			NOTE 3: FITTED TO NEW PT6A-21 AND PT6A-27 ENGINES, WILL NOT BE SUPPLIED AS A SPARE		
			NOTE 4: REWORKED PART, WILL NOT BE SUPPLIED AS A SPARE		
			NOTE 1: FITTED TO A LIMITED NUMBER OF NEW ENGINES, WILL NOT BE SUPPLIED AS A SPARE		
CONTINUED					

- ITEM NOT ILLUSTRATED

EFF MODEL A PT6A-27 B PT6A-28 C PT6A-21	EFF MODEL	EFF MODEL
--	-----------	-----------

72-50-01
Figure 1
Page 7
Aug 27/2004

PRATT & WHITNEY CANADA
ILLUSTRATED PARTS CATALOG
MANUAL PART NO. 3013244

FIG. ITEM	PART NUMBER	AIRLINE PART NUMBER	1234567 NOMENCLATURE	EFFECT CODE	UNITS PER ASSY
1			<p><u>NOTE 5</u>: MAY BE OBTAINED BY REWORK AND REIDENTIFICATION OF P/N 3031167</p> <p><u>NOTE 6</u>: FITTED TO NEW PRODUCTION ENGINES ONLY, WILL NOT BE SUPPLIED AS SPARE</p> <p><u>NOTE 7</u>: PART REQUIRED TO REWORK LARGE COMBUSTION CHAMBER EXIT DUCT ASSEMBLIES P/N 3031172 AND 3031167</p>		

- ITEM NOT ILLUSTRATED

EFF MODEL	EFF MODEL	EFF MODEL
-----------	-----------	-----------

72-50-01

Figure 1

Page 8

Aug 27/2004

Compressor Turbine Installation

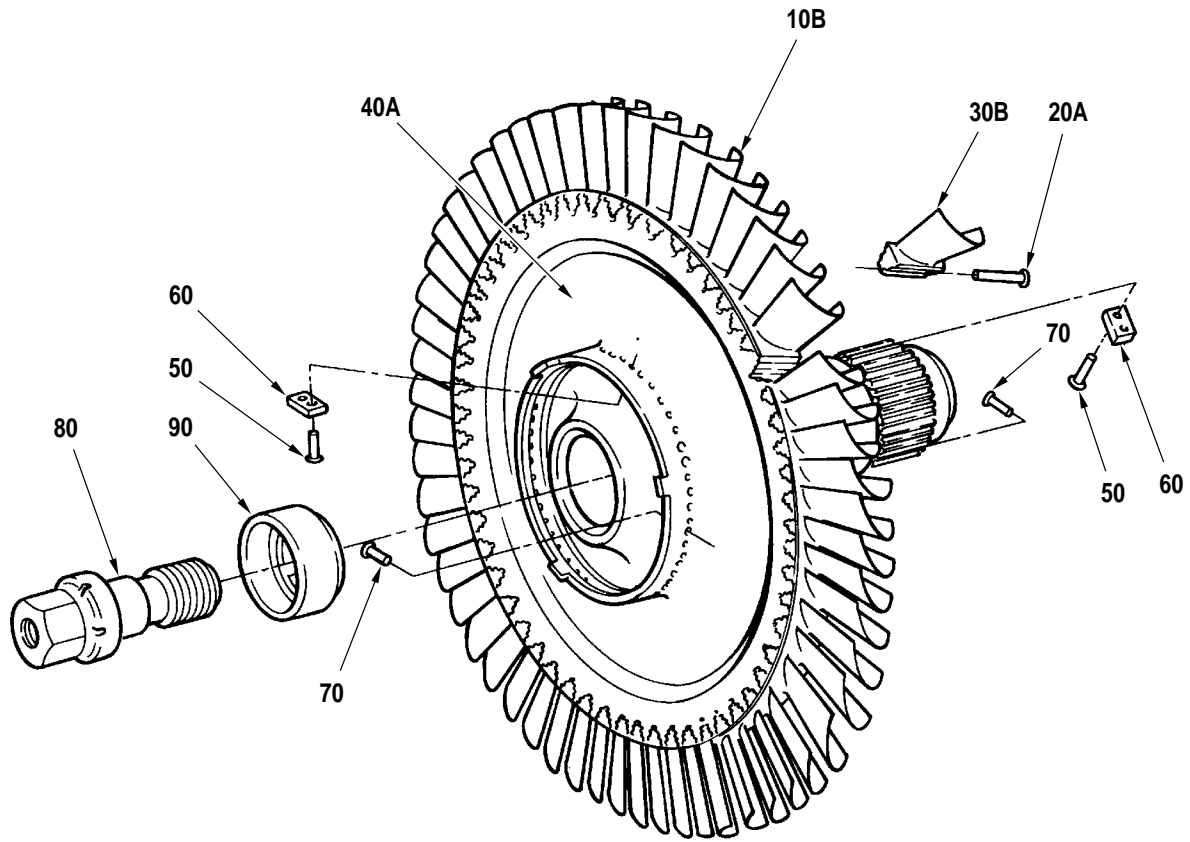
72-50-02

Figure 1

Page 1

Aug 27/2004

PRATT & WHITNEY CANADA
ILLUSTRATED PARTS CATALOG
MANUAL PART NO. 3013244



Compressor Turbine Installation
Figure 1

PRATT & WHITNEY CANADA
ILLUSTRATED PARTS CATALOG
MANUAL PART NO. 3013244

FIG. ITEM	PART NUMBER	AIRLINE PART NUMBER	1234567 NOMENCLATURE	EFFECT CODE	UNITS PER ASSY
1					
- 1			COMPRESSOR TURBINE INSTALLATION SEE 72-00-00 FIG. 1 FOR NHA	A B C	REF
- 10	3013421		.DISK BALANCING ASSEMBLY, COMPRESSOR TURBINE PRE-SB1265 PRE-SB1292 PRE-SB1346 INTRCHG WITH P/N 3030221 INTRCHG WITH P/N 3031421 INTRCHG WITH P/N 3102421-01 INTRCHG WITH P/N 3013730	A	1
- 10A	3013730		.DISK BALANCING ASSEMBLY, COMPRESSOR TURBINE NONINTR WITH P/N 3014805	A B	1
10B	3014805		.DISK BALANCING ASSEMBLY, COMPRESSOR TURBINE FOR ENGINES BUILT TO BS307, BS321, BS324, BS325, BS330, BS362, BS367, BS374, BS392, BS393, BS410, BS414, BS423, BS622, BS624, BS877 FOR ENGINES BUILT TO BS346 POST-SB1101 PRE-SB1265 PRE-SB1292 PRE-SB1305 PRE-SB1346 INTRCHG WITH P/N 3030221 INTRCHG WITH P/N 3031421 NONINTR WITH P/N 3031221 INTRCHG WITH P/N 3102421-01	A B C	1
- 10C	3031221		.DISK BALANCING ASSEMBLY, COMPRESSOR TURBINE FOR ENGINES BUILT TO BS307, BS321, BS324, BS325, BS330, BS362, BS367, BS374, BS392, BS393, BS410, BS414, BS423, BS622, BS624, BS877 FOR ENGINES BUILT TO BS346 POST-SB1305 PRE-SB1346 INTRCHG WITH P/N 3102421-01 NONINTR WITH P/N 3104021-01	A B C	1

CONTINUED

- ITEM NOT ILLUSTRATED

EFF MODEL A PT6A-27 B PT6A-28 C PT6A-21	EFF MODEL	EFF MODEL
--	-----------	-----------

72-50-02
Figure 1
Page 3
Aug 27/2004

PRATT & WHITNEY CANADA
ILLUSTRATED PARTS CATALOG
MANUAL PART NO. 3013244

FIG. ITEM	PART NUMBER	AIRLINE PART NUMBER	NOMENCLATURE	EFFECT CODE	UNITS PER ASSY
			1234567		
1					
- 10D	3102421-01		.DISK BALANCING ASSEMBLY, COMPRESSOR TURBINE FOR ENGINES BUILT TO BS954 FOR ENGINES BUILT TO BS365, BS418, BS419, BS473, BS475, BS485, BS570, BS610 MAY BE OBTAINED BY REWORK OF P/N 3013421 OR 3014805 OR 3029421 OR 3030221 OR 3031221 SEE NOTE 1 POST-SB1346R3	A B C	1
- 10E	3030221		.DISK BALANCING ASSEMBLY, COMPRESSOR TURBINE POST-SB1265 PRE-SB1346 INTRCHG WITH P/N 3102421-01 NONINTR WITH P/N 3029421	B	1
- 10F	3029421		.DISK BALANCING ASSEMBLY COMPRESSOR TURBINE PRE-SB1346 INTRCHG WITH P/N 3102421-01	B	1
- 10G	3104021-01		.DISK BALANCING ASSEMBLY, COMPRESSOR TURBINE PRE-SB1514 TWO-WAY INTRCHG WITH P/N 3104021-04	A	1
- 10H	3031421		.DISK BALANCING ASSEMBLY, COMPRESSOR TURBINE POST-SB1292 SEE NOTE 2	A C	1
- 10J	3037121		.DISK BALANCING ASSEMBLY, COMPRESSOR TURBINE	C	1
- 10K	3104021-04		.DISK BALANCING ASSEMBLY, COMPRESSOR TURBINE FOR ENGINES BUILT TO BS801 POST-SB1514	A	1
- 20	3004916		..RIVET, COUNTERSUNK HEAD COMPONENT OF P/N 3013421 AND 3013730 NONINTR WITH P/N 3018240	A B	58
20A	3018240		..RIVET, COUNTERSUNK HEAD POST-SB1346	A B C	58

CONTINUED

- ITEM NOT ILLUSTRATED

EFF MODEL	EFF MODEL	EFF MODEL
A PT6A-27		
B PT6A-28		
C PT6A-21		

72-50-02
Figure 1
Page 4
Aug 27/2004

PRATT & WHITNEY CANADA
ILLUSTRATED PARTS CATALOG
MANUAL PART NO. 3013244

FIG. ITEM	PART NUMBER	AIRLINE PART NUMBER	NOMENCLATURE	EFFECT CODE	UNITS PER ASSY
			1234567		
1					
- 30	3011201		..BLADE, TURBINE COMPONENT OF P/N 3013421 PRE-SB1101 PRE-SB1292 NONINTR WITH P/N 3014901 INTRCHG WITH P/N 3024501	A B	58
- 30A	3014901		..BLADE, TURBINE COMPONENT OF P/N 3014805 POST-SB1101 PRE-SB1210 PRE-SB1265 PRE-SB1292 PRE-SB1346R4 NONINTR WITH P/N 3023401 INTRCHG WITH P/N 3024501 INTRCHG AS A SET WITH P/N 3102401-01	A B	58
30B	3023401		..BLADE, TURBINE COMPONENT OF P/N 3014805 AND 3031221 POST-SB1210 PRE-SB1265 PRE-SB1292 PRE-SB1346R4 INTRCHG WITH P/N 3024501 INTRCHG AS A SET WITH P/N 3102401-01 NONINTR WITH P/N 3103901-01	A B C	58
- 30C	3024501		..BLADE, TURBINE POST-SB1265 POST-SB1292 PRE-SB1346 NONINTR WITH P/N 3102401-01	A B C	58
30D	3102401-01		..BLADE, TURBINE COMPONENT OF P/N 3102421-01 POST-SB1346 PRE-SB1455 PRE-SB1521R1 TWO-WAY INTRCHG WITH P/N 3039901 TWO-WAY INTRCHG WITH P/N 3045741-01 SEE NOTE 3	A B C	58
- 30E	3103901-01		..BLADE, TURBINE COMPONENT OF P/N 3104021-01 SEE NOTE 1 PRE-SB1514 TWO-WAY INTRCHG WITH P/N 3120011-01	A	58

CONTINUED

- ITEM NOT ILLUSTRATED

EFF MODEL A PT6A-27 B PT6A-28 C PT6A-21	EFF MODEL	EFF MODEL
--	-----------	-----------

72-50-02
Figure 1
Page 5
Aug 27/2004

PRATT & WHITNEY CANADA
ILLUSTRATED PARTS CATALOG
MANUAL PART NO. 3013244

FIG. ITEM	PART NUMBER	AIRLINE PART NUMBER	NOMENCLATURE	EFFECT CODE	UNITS PER ASSY
			1234567		
1					
- 30F	3038701		..BLADE, TURBINE COMPONENT OF P/N 3037121	C	58
- 30G	3039901		..BLADE, TURBINE POST-SB1455 SEE NOTE 3	A B C	58
- 30H	3120011-01		..BLADE, TURBINE FOR ENGINES BUILT TO BS801 COMPONENT OF P/N 3104021-04 POST-SB1514 SEE NOTE 4	A	58
- 30J	3045741-01		..BLADE, TURBINE POST-SB1521R1	A B C	58
- 40	3013711		..DISK, TURBINE COMPONENT OF P/N 3013730 INTRCHG WITH P/N 3013411	A B	1
40A	3013411		..DISK, TURBINE	A B C	1
50	AN125403		..RIVET, UNIVERSAL HEAD, USE 0 TO 40 MAX. RIVETS P/N AN123153 MAY BE USED IN LIEU PRE-PT6A SPB NO.23 TWO-WAY INTRCHG WITH P/N AN123153	A B C	40
- 50A	AN123153		..RIVET, SOLID POST-PT6A SPB NO.23	A B C	40
60	3010117CL		..WEIGHT, BALANCE, USE 0 TO 14 MAX. UNITS IN COMBINATION OF CLASSES AS REQUIRED	A B C	14
	3010117CL1		..WEIGHT, 0.026 OZ		AR
	3010117CL2		..WEIGHT, 0.035 OZ		AR
	3010117CL3		..WEIGHT, 0.042 OZ		AR
	3010117CL4		..WEIGHT, 0.051 OZ		AR
	3010117CL5		..WEIGHT, 0.007 OZ		AR
70	AN123158		..RIVET, UNIVERSAL HEAD USE 0 TO 12 MAX.	A B C	AR

CONTINUED

- ITEM NOT ILLUSTRATED

EFF MODEL	EFF MODEL	EFF MODEL
A PT6A-27		
B PT6A-28		
C PT6A-21		

72-50-02

Figure 1

Page 6

Aug 27/2004

PRATT & WHITNEY CANADA
ILLUSTRATED PARTS CATALOG
MANUAL PART NO. 3013244

FIG. ITEM	PART NUMBER	AIRLINE PART NUMBER	NOMENCLATURE	EFFECT CODE	UNITS PER ASSY
1			1234567		
			ATTACHING PARTS		
80	3009024		.BOLT, TURBINE STUBSHAFT PRE-SB1439 INTRCHG WITH P/N 3111764-01	A B C	1
- 80A	3111764-01		.BOLT, TURBINE RETAINING POST-SB1439	A B C	1
90	3009022		.WASHER, KEY	A B C	1
			-----*-----		
			<u>NOTE</u> 1: FOR THE DHC-6 TWIN OTTER ENGINES IN THE FIELD ONLY		
			<u>NOTE</u> 2: FITTED TO A LIMITED NUMBER OF PT6A-21 AND PT6A-27 ENGINES		
			<u>NOTE</u> 3: P/N 3102401-01 AND P/N 3039901 ARE INTERMIXABLE		
			<u>NOTE</u> 4: NOT RECOMMENDED FOR A FULL BLADE SET REPLACEMENT. REFER TO SB1003		

- ITEM NOT ILLUSTRATED

EFF MODEL	EFF MODEL	EFF MODEL
A PT6A-27		
B PT6A-28		
C PT6A-21		

72-50-02
Figure 1
Page 7/8
Aug 27/2004

Power Turbine Interstage
Installation And Containment Ring
Group

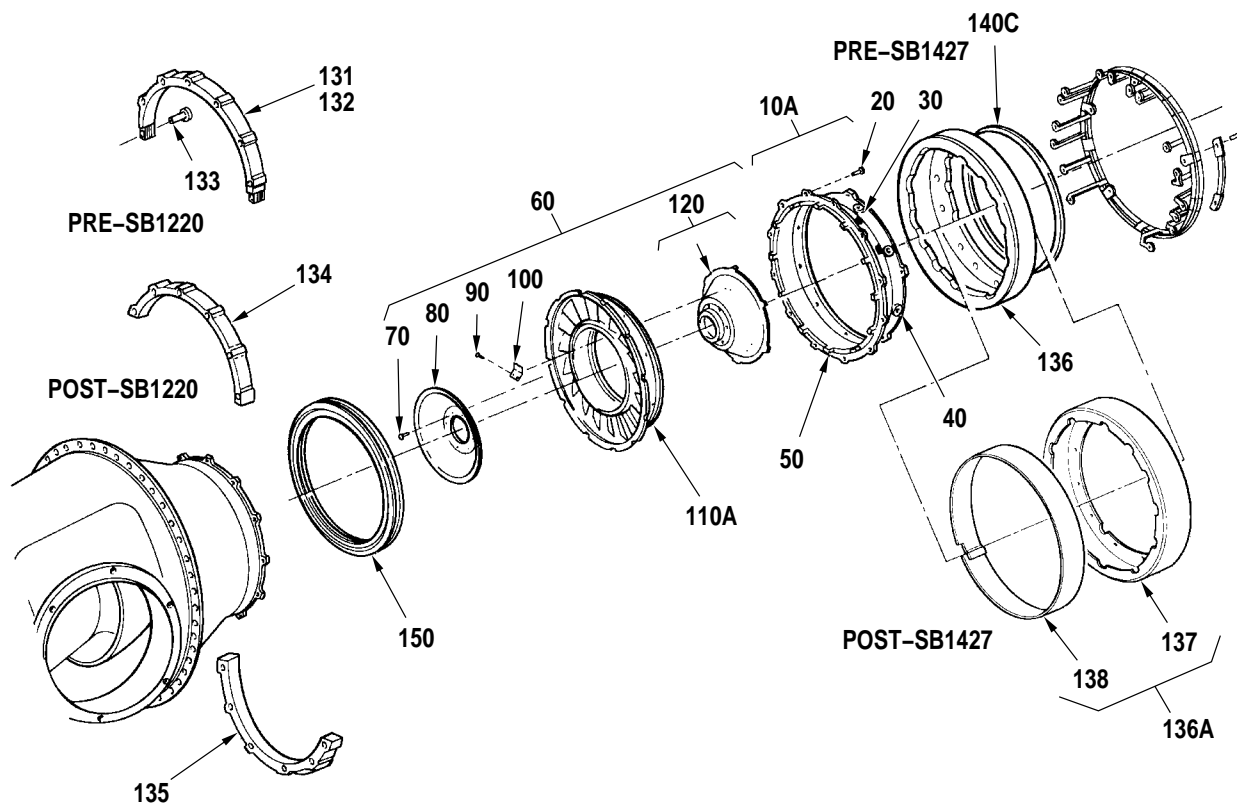
72-50-03

Figure 1

Page 1

Aug 27/2004

PRATT & WHITNEY CANADA
ILLUSTRATED PARTS CATALOG
MANUAL PART NO. 3013244



C52040C

Power Turbine Interstage Installation And Containment
Ring Group
Figure 1

72-50-03

Figure 1

Page 2

Aug 27/2004

PRATT & WHITNEY CANADA
ILLUSTRATED PARTS CATALOG
MANUAL PART NO. 3013244

FIG. ITEM	PART NUMBER	AIRLINE PART NUMBER	1234567 NOMENCLATURE	EFFECT CODE	UNITS PER ASSY
1					
- 1			POWER TURBINE INTERSTAGE INSTALLATION AND CONTAINMENT RING GROUP SEE 72-00-00 FIG. 1 FOR NHA	A B C	REF
- 10	3012117		.HOUSING ASSEMBLY, POWER TURBINE STATOR NONINTR WITH P/N 3024119	A B	1
10A	3024119		.HOUSING ASSEMBLY, POWER TURBINE STATOR POST-SB1212	A B	1
			ATTACHING PARTS		
20	MS9574-06		.BOLT, MACHINE, DBL HEX DRD	A B C	12
			-----*-----		
30	3010656		..CLIP, T5 WIRING HARNESS	A B C	4
40	3010959		..BOSS, T5 THERMOCOUPLE	A B C	NP
50	3012116		..HOUSING, POWER TURBINE	A B C	NP
60	3010262CL		.STATOR ASSEMBLY, POWER TURBINE PRE-SB1270 INTRCHG WITH P/N 3024862CL SEE NOTE 1	A B C	1
60A	3024862CL		.STATOR ASSEMBLY, POWER TURBINE FOR ENGINES BUILT TO BS801 SELECT ONE VANE RING OF SAME DETAIL CLASS POST-SB1270 PRE-PT6A SPB NO.89 TWO-WAY INTRCHG WITH P/N 3043682CL SEE NOTE 1	A B C	1
	3024862CL11.5		..STATOR ASSEMBLY, POWER TURBINE		AR
	3024862CL11.6		..STATOR ASSEMBLY, POWER TURBINE		AR
	3024862CL11.7		..STATOR ASSEMBLY, POWER TURBINE		AR
	3024862CL11.8		..STATOR ASSEMBLY, POWER TURBINE PRE-PT6A SPB NO.41 TWO-WAY INTRCHG WITH P/N 3024862CL01		AR

CONTINUED

- ITEM NOT ILLUSTRATED

EFF MODEL A PT6A-27 B PT6A-28 C PT6A-21	EFF MODEL	EFF MODEL
--	-----------	-----------

72-50-03

Figure 1

Page 3

Aug 27/2004

PRATT & WHITNEY CANADA
ILLUSTRATED PARTS CATALOG
MANUAL PART NO. 3013244

FIG. ITEM	PART NUMBER	AIRLINE PART NUMBER	NOMENCLATURE	EFFECT CODE	UNITS PER ASSY
			1234567		
1	3024862CL11.9		..STATOR ASSEMBLY, POWER TURBINE		AR
	3024862CL12.0		..STATOR ASSEMBLY, POWER TURBINE		AR
	3024862CL12.1		..STATOR ASSEMBLY, POWER TURBINE		AR
	3024862CL12.2		..STATOR ASSEMBLY, POWER TURBINE		AR
	3024862CL12.3		..STATOR ASSEMBLY, POWER TURBINE		AR
	3024862CL12.4		..STATOR ASSEMBLY, POWER TURBINE		AR
	3024862CL12.5		..STATOR ASSEMBLY, POWER TURBINE		AR
	3024862CL12.6		..STATOR ASSEMBLY, POWER TURBINE		AR
	3024862CL12.7		..STATOR ASSEMBLY, POWER TURBINE PRE-PT6A SPB NO.41 TWO-WAY INTRCHG WITH P/N 3024862CL02		AR
	3024862CL12.8		..STATOR ASSEMBLY, POWER TURBINE		AR
	3024862CL12.9		..STATOR ASSEMBLY, POWER TURBINE		AR
	3024862CL13.0		..STATOR ASSEMBLY, POWER TURBINE		AR
	3024862CL13.1		..STATOR ASSEMBLY, POWER TURBINE PRE-PT6A SPB NO.41 TWO-WAY INTRCHG WITH P/N 3024862CL03		AR
	3024862CL13.2		..STATOR ASSEMBLY, POWER TURBINE		AR
	3024862CL13.3		..STATOR ASSEMBLY, POWER TURBINE		AR
	3024862CL13.4		..STATOR ASSEMBLY, POWER TURBINE		AR
	3024862CL13.5		..STATOR ASSEMBLY, POWER TURBINE		AR
	3024862CL01		..STATOR ASSEMBLY, POWER TURBINE POST-PT6A SPB NO.41		AR
	3024862CL02		..STATOR ASSEMBLY, POWER TURBINE POST-PT6A SPB NO.41 PRE-PT6A SPB NO.89 TWO-WAY INTRCHG WITH P/N 3043682CL02		AR
	3024862CL03		..STATOR ASSEMBLY, POWER TURBINE POST-PT6A SPB NO.41		AR
- 60B	3043682CL		..STATOR ASSEMBLY, POWER TURBINE FOR ENGINES BUILT TO BS801 SELECT ONE VANE RING OF SAME DETAIL CLASS POST-PT6A SPB NO.89	A B	1
	3043682CL02		..STATOR ASSEMBLY, POWER TURBINE POST-PT6A SPB NO.89		AR

CONTINUED

- ITEM NOT ILLUSTRATED

EFF MODEL A PT6A-27 B PT6A-28	EFF MODEL	EFF MODEL
-------------------------------------	-----------	-----------

72-50-03
Figure 1
Page 4
Aug 27/2004

PRATT & WHITNEY CANADA
ILLUSTRATED PARTS CATALOG
MANUAL PART NO. 3013244

FIG. ITEM	PART NUMBER	AIRLINE PART NUMBER	NOMENCLATURE	EFFECT CODE	UNITS PER ASSY
1			1234567		
70	AN123315		..RIVET, UNIVERSAL HD INTRCHG WITH P/N AN123320	A B C	16
- 70A	AN123320		..RIVET, UNIVERSAL HD	A B C	16
80	3010226		..PLATE, SEALING, INTERSTAGE BAFFLE COMPONENT OF P/N 3010262 NONINTR WITH P/N 3024803	A B	1
- 80A	3024803		..PLATE, SEALING, INTERSTAGE BAFFLE POST-SB1270	A B C	1
90	AN123314		..RIVET, UNIVERSAL HD INTRCHG WITH P/N AN123319	A B C	6
- 90A	AN123319		..RIVET, UNIVERSAL HD	A B C	6
100	3010232		..PLATE, RETAINING, VANE RING SEE NOTE 2	A B C	3
- 100A	DELETED				
- 110	3010252CL		..RING, VANE COMPONENT OF P/N 3010262CL POST-SB1177 INTRCHG WITH P/N 3018252	A	NP
110A	3018252CL		..RING, VANE COMPONENT OF P/N 3010262CL POST-SB1177 NONINTR WITH P/N 3024852	A	NP
- 110B	3024852CL		..RING, VANE COMPONENT OF P/N 3024862CL POST-SB1270	A B C	NP
120	3010228		..BAFFLE ASSEMBLY, TURBINE INTERSTAGE COMPONENT OF P/N 3010262 NONINTR WITH P/N 3023308	A B C	1
- 120A	3023308		..BAFFLE ASSEMBLY, TURBINE INTERSTAGE COMPONENT OF P/N 3024862CL POST-SB1270	A B C	1
130	3010229		...SEAL, AIR, POWER TURBINE STATOR	A B C	NP

CONTINUED

- ITEM NOT ILLUSTRATED

EFF MODEL A PT6A-27 B PT6A-28 C PT6A-21	EFF MODEL	EFF MODEL
--	-----------	-----------

72-50-03

Figure 1

Page 5

Aug 27/2004

PRATT & WHITNEY CANADA
ILLUSTRATED PARTS CATALOG
MANUAL PART NO. 3013244

FIG. ITEM	PART NUMBER	AIRLINE PART NUMBER	NOMENCLATURE	EFFECT CODE	UNITS PER ASSY
			1234567		
1					
131	3013250		.RING, HALF, FLANGE REINFORCING, PRE-SB1220	A B	1
132	3013251		.RING, HALF, FLANGE REINFORCING PRE-SB1220	A B	1
133	3011412		.PIN, HEADED PRE-SB1220	A B	2
134	3022340		.RING, HALF, MOUNTING, CONTAINMENT POST-SB1220	A B C	1
135	3022341		.RING, HALF, MOUNTING, CONTAINMENT POST-SB1220	A B C	1
136	3022339		.RING, CONTAINMENT, POWER TURBINE POST-SB1220 PRE-SB1427 INTRCHG WITH P/N 3109595-01	A B C	1
136A	3109595-01		.RING ASSEMBLY, CONTAINMENT POWER TURBINE POST-SB1427	A B C	1
137	3022339		..RING, CONTAINMENT, POWER TURBINE POST-SB1427	A B C	NP
138	3109594-01		..LINER, REINFORCEMENT, CONTAINMENT RING POST-SB1427	A B C	1
- 140	3010698		.RING, SEALING, POWER TURBINE STATOR HOUSING PRE-SB1218 NONINTR WITH P/N 3024979	A B C	2
- 140A	3010698M10		.RING, SEALING 0.010 IN. UNDERSIZE PRE-SB1218 NONINTR WITH P/N 3024979	A B C	AR
- 140B	3010698M20		.RING, SEALING 0.020 IN. UNDERSIZE PRE-SB1218 NONINTR WITH P/N 3024979	A B C	AR
140C	3024979		.RING, SEALING, POWER TURBINE STATOR HOUSING POST-SB1218	A B C	1
150	3010231		.SHROUD, POWER TURBINE	A B C	1

CONTINUED

- ITEM NOT ILLUSTRATED

EFF MODEL	EFF MODEL	EFF MODEL
A PT6A-27		
B PT6A-28		
C PT6A-21		

72-50-03

Figure 1

Page 6

Aug 27/2004

PRATT & WHITNEY CANADA
ILLUSTRATED PARTS CATALOG
MANUAL PART NO. 3013244

FIG. ITEM	PART NUMBER	AIRLINE PART NUMBER	NOMENCLATURE	EFFECT CODE	UNITS PER ASSY
1			<p style="margin: 0;">1234567</p> <p style="margin: 10px 0 0 20px;"><u>NOTE 1</u>: SB1454 MARK INDICATES POWER TURBINE STATOR ASSEMBLY IS MODIFIED</p> <p style="margin: 10px 0 0 20px;"><u>NOTE 2</u>: FOR POST-SB1454 ENGINES, USE RETAINING PLATE P/N 3010232 MODIFIED TO AT LEAST REV. LETTER B. REFER TO SB1454</p>		

- ITEM NOT ILLUSTRATED

EFF MODEL	EFF MODEL	EFF MODEL
-----------	-----------	-----------

72-50-03

Figure 1
Page 7/8
Aug 27/2004

Power Turbine Installation

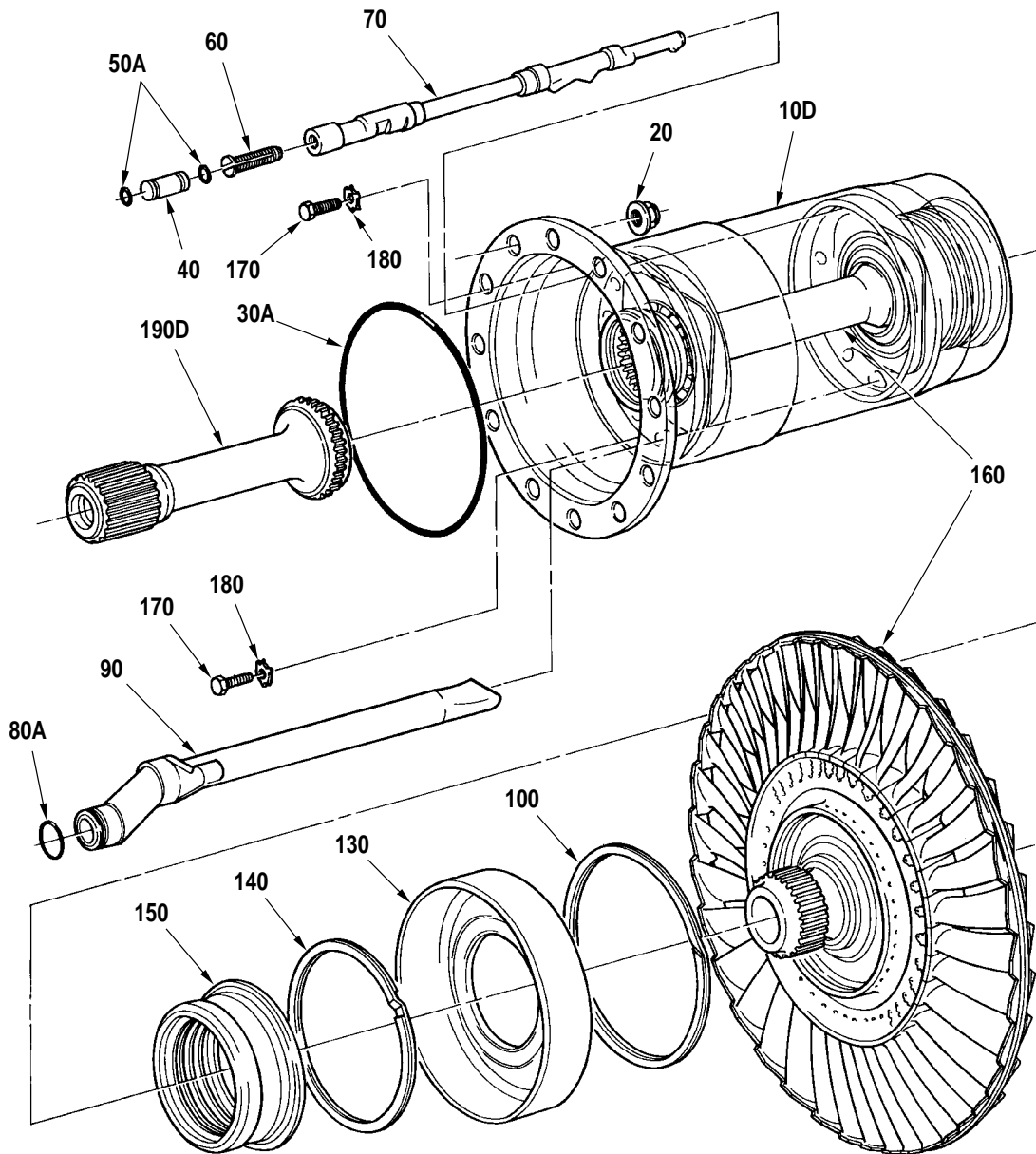
72-50-04

Figure 1

Page 1

Aug 27/2004

PRATT & WHITNEY CANADA
ILLUSTRATED PARTS CATALOG
MANUAL PART NO. 3013244



Power Turbine Installation
Figure 1

PRATT & WHITNEY CANADA
ILLUSTRATED PARTS CATALOG
MANUAL PART NO. 3013244

FIG. ITEM	PART NUMBER	AIRLINE PART NUMBER	NOMENCLATURE	EFFECT CODE	UNITS PER ASSY
1			1234567		
- 1			POWER TURBINE INSTALLATION SEE 72-00-00 FIG. 1 FOR NHA	A B C	REF
- 10	3010548		.HOUSING ASSEMBLY, POWER TURBINE SHAFT INTRCHG WITH P/N 3018379	A B	1
- 10A	3018379		.HOUSING ASSEMBLY, POWER TURBINE SHAFT POST-SB1138 NONINTR WITH P/N 3029979	A B C	1
- 10B	3029979		.HOUSING ASSEMBLY, POWER TURBINE SHAFT POST-SB1287 PRE-SB1389 NONINTR WITH P/N 3104279-01	A B C	1
- 10C	3104279-01		.HOUSING ASSEMBLY, POWER TURBINE SHAFT POST-SB1389 INTRCHG WITH P/N 3107453-01 SEE NOTE 1	A B C	1
10D	3107453-01		.HOUSING ASSEMBLY, POWER TURBINE SHAFT	A B C	1
- 10E	DELETED				
20	3012680		.NUT OPTION (IC) SEE TABLE FOR OPTIONAL PART NUMBERS	A B C	12
- 30	3003853		.PACKING, PREFORMED INTRCHG WITH P/N MS9388-159	A B C	1
30A	MS9388-159		.PACKING, PREFORMED INTRCHG WITH P/N AS3209-159	A B C	1
- 30B	AS3209-159		.PACKING, PREFORMED	A B C	1
40	3004183		.TUBE, TRANSFER	A B C	1
- 50	3004184		.PACKING, PREFORMED INTRCHG WITH P/N MS9388-009	A B C	2

CONTINUED

- ITEM NOT ILLUSTRATED

EFF MODEL A PT6A-27 B PT6A-28 C PT6A-21	EFF MODEL	EFF MODEL
--	-----------	-----------

72-50-04
Figure 1
Page 3
Aug 27/2004

PRATT & WHITNEY CANADA
ILLUSTRATED PARTS CATALOG
MANUAL PART NO. 3013244

FIG. ITEM	PART NUMBER	AIRLINE PART NUMBER	NOMENCLATURE	EFFECT CODE	UNITS PER ASSY
			1234567		
1					
50A	MS9388-009		.PACKING, PREFORMED INTRCHG WITH P/N AS3209-009	A B C	2
- 50B	AS3209-009		.PACKING, PREFORMED PRE-PT6A SPB NO.53 TWO-WAY INTRCHG WITH P/N ST3367-009	A B C	2
- 50C	ST3367-009		.PACKING, PREFORMED 0.208 X 0.070 POST-PT6A SPB NO.53	A B C	2
60	3011198		.STRAINER, OIL JET	A B C	1
70	3011204		.TUBE ASSEMBLY, NO.3 BEARING PRESSURE OIL PRE-SB1522 PRE-SB1524 TWO-WAY INTRCHG WITH P/N 3122675-01 TWO-WAY INTRCHG WITH P/N 3122639-01	A B C	1
- 70A	3122675-01		.TUBE ASSEMBLY, NO.3 BEARING PRESSURE OIL POST-SB1522 PRE-SB1524 TWO-WAY INTRCHG WITH P/N 3122639-01	A B C	1
- 70B	3122639-01		.TUBE ASSEMBLY, NO.3 BEARING PRESSURE OIL POST-SB1524	A B C	1
- 80	3010526		.PACKING, PREFORMED INTRCHG WITH P/N MS9388-113	A B C	1
80A	MS9388-113		.PACKING, PREFORMED	A B C	1
- 80B	AS3209-113		.PACKING, PREFORMED	A B C	1
90	3010536		.TUBE ASSEMBLY, NO.3 BEARING SCAVENGE OIL TUBE INTRCHG WITH P/N 3102825-01	A B C	1
- 90A	3102825-01		.TUBE ASSEMBLY, NO.3 BEARING OIL SCAVENGE	A B C	1

CONTINUED

- ITEM NOT ILLUSTRATED

EFF MODEL A PT6A-27 B PT6A-28 C PT6A-21	EFF MODEL	EFF MODEL
--	-----------	-----------

72-50-04
Figure 1
Page 4
Aug 27/2004

PRATT & WHITNEY CANADA
ILLUSTRATED PARTS CATALOG
MANUAL PART NO. 3013244

FIG. ITEM	PART NUMBER	AIRLINE PART NUMBER	NOMENCLATURE	EFFECT CODE	UNITS PER ASSY
1			1234567		
100	3010542		.RING, RETAINING, BEARING COVER INTRCHG WITH P/N AS3218-160	A B C	1
- 100A	AS3218-160		.RING, RETAINING, BEARING COVER PRE-SB1430	A B C	1
- 110	3013338		.SPACER, NO.3 BEARING COVER PRE-SB1389 SEE NOTE 2	A	NP
- 120	3011750		.COVER, NO.3 BEARING INTRCHG WITH P/N 3012520	A B	NP
- 120A	3012520		.COVER, NO.3 BEARING INTRCHG WITH P/N 3020745	A B	NP
130	3020745		.COVER ASSEMBLY, NO.3 BEARING POST-SB1171 NONINTR WITH P/N 3029974	A B C	1
- 130A	3029974		.COVER ASSEMBLY, NO.3 BEARING POST-SB1287 PRE-SB1389 PRE-SB1430 NONINTR WITH P/N 3104278-01	A B C	1
- 130B	3104278-01		.COVER ASSY, NO.3 BEARING POST-SB1389 PRE-SB1430 SEE NOTE 1	A B C	1
- 130C	3104278-02		.COVER, NO.3 BEARING FOR ENGINES BUILT TO BS801	A	NP
140	3006627		.RING, RETAINING, AIR SEAL INTRCHG WITH P/N AS3217-157	A B C	1
- 140A	AS3217-157		.RING, RETAINING, AIR SEAL	A B C	1
150	3011261		.SEAL, AIR, POWER TURBINE, STATOR PRE-SB1474 INTRCHG WITH P/N 3104402-01	A B C	1
- 150A	3104402-01		.SEAL, AIR, POWER TURBINE, STATOR POST-SB1474 SEE NOTE 3	A B C	1
160	3011932		.ROTOR BALANCING ASSEMBLY, POWER TURBINE PRE-SB1474	A B C	REF

CONTINUED

- ITEM NOT ILLUSTRATED

EFF MODEL A PT6A-27 B PT6A-28 C PT6A-21	EFF MODEL	EFF MODEL
--	-----------	-----------

72-50-04
Figure 1
Page 5
Aug 27/2004

PRATT & WHITNEY CANADA
ILLUSTRATED PARTS CATALOG
MANUAL PART NO. 3013244

FIG. ITEM	PART NUMBER	AIRLINE PART NUMBER	NOMENCLATURE	EFFECT CODE	UNITS PER ASSY
			1234567		
1					
- 160A	3104404-02		. ROTOR BALANCING ASSEMBLY, POWER TURBINE POST-SB1474 SEE FIG. 2 FOR DETAILS ATTACHING PARTS	A B C	REF
170	3011949		. BOLT, MACHINE, HEX INTRCHG WITH P/N MS9489-06	A B C	8
- 170A	MS9489-06		. BOLT, MACHINE, HEX	A B C	8
180	3001538		. WASHER, TAB INTRCHG WITH P/N 3016598	A B C	8
- 180A	3016598		. WASHER, TAB PRE-PT6A SPB NO.33 TWO-WAY INTRCHG WITH P/N ST3371-01	A B C	8
- 180B	ST3371-01		. WASHER, TAB POST-PT6A SPB NO.33	A B C	8
			-----*-----		
- 190	3009104		. GEAR, SUN, FIRST-STAGE REDUCTION INTRCHG WITH P/N 3012726	A B	1
- 190A	3012726		. GEAR, SUN, FIRST-STAGE REDUCTION NONINTR WITH P/N 3011115 INTRCHG WITH P/N 3028317	A B C	1
- 190B	3011115		. GEAR, SUN, FIRST-STAGE REDUCTION POST-SB1085 NONINTR WITH P/N 3023198 INTRCHG WITH P/N 3028317	A B	1
- 190C	3023198		. GEAR, SUN, FIRST-STAGE REDUCTION POST-SB1193 SEE NOTE 4	A B	1
190D	3024765		. GEAR, SUN, FIRST-STAGE REDUCTION	A B	1
- 190E	3028317		. GEAR, SUN, FIRST-STAGE REDUCTION	C	1
200	DELETED		TRANSFERRED TO FIG. 2		
210	DELETED		TRANSFERRED TO FIG. 2		

CONTINUED

- ITEM NOT ILLUSTRATED

EFF MODEL	EFF MODEL	EFF MODEL
A PT6A-27		
B PT6A-28		
C PT6A-21		

72-50-04
Figure 1
Page 6
Aug 27/2004

PRATT & WHITNEY CANADA
ILLUSTRATED PARTS CATALOG
MANUAL PART NO. 3013244

FIG. ITEM	PART NUMBER	AIRLINE PART NUMBER	NOMENCLATURE	EFFECT CODE	UNITS PER ASSY
1 - 220	3018486		<p>1234567</p> <p>.SLEEVE, POWER TURBINE SHAFT HOUSING, (TO BE USED WITH HOUSING ASSEMBLY P/N 3010548 FOR MODIFICATION TO SB1138 STANDARD)</p> <p><u>NOTE 1:</u> P/N 3104279-01 AND 3104278-01 MUST BE FITTED IN A SET</p> <p><u>NOTE 2:</u> TO BE USED ONLY WITH P/N 3011750 OR 3012520</p> <p><u>NOTE 3:</u> P/N 3104402-01 AND P/N 3104403-01 (REF. FIG. 2) MUST BE FITTED AS A SET</p> <p><u>NOTE 4:</u> NOT TO BE USED WITH GEAR SET P/N 3022438</p>	A B	AR

- ITEM NOT ILLUSTRATED

EFF MODEL A PT6A-27 B PT6A-28	EFF MODEL	EFF MODEL
-------------------------------------	-----------	-----------

72-50-04
Figure 1
 Page 7/8
 Aug 27/2004

Rotor Balancing Assembly, Power Turbine

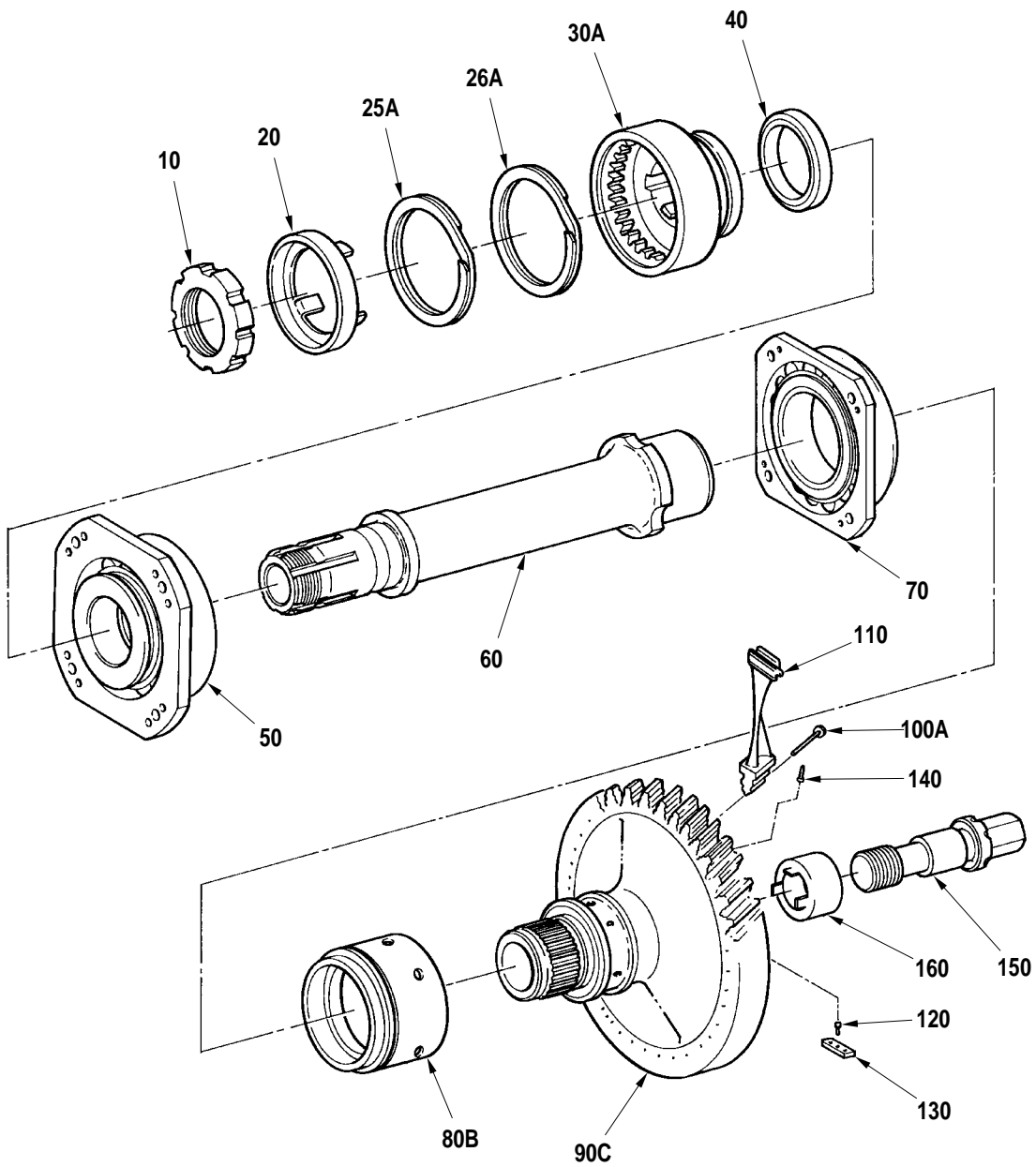
72-50-04

Figure 2

Page 1

Aug 27/2004

PRATT & WHITNEY CANADA
ILLUSTRATED PARTS CATALOG
MANUAL PART NO. 3013244



Rotor Balancing Assembly, Power Turbine
Figure 2

C52042A

72-50-04

Figure 2

Page 2

Aug 27/2004

PRATT & WHITNEY CANADA
ILLUSTRATED PARTS CATALOG
MANUAL PART NO. 3013244

FIG. ITEM	PART NUMBER	AIRLINE PART NUMBER	1234567 NOMENCLATURE	EFFECT CODE	UNITS PER ASSY
2					
- 1	3011932		ROTOR BALANCING ASSEMBLY, POWER TURBINE PRE-SB1474 SEE FIG. 1 FOR NHA	A B C	REF
- 1A	3104404-02		ROTOR BALANCING ASSEMBLY, POWER TURBINE POST-SB1474 SEE FIG. 1 FOR NHA	A B C	REF
10	3005698		.NUT, SPANNER	A B C	1
20	3005699		.WASHER, CUP	A B C	1
- 25	3006369		.RING, RETAINING INTRCHG WITH P/N 3021721	A B	1
25A	3021721		.RING, RETAINING POST-SB1173	A B C	1
- 26	3006131		.RING, RETAINING INTRCHG WITH P/N 3021720	A B	1
26A	3021720		.RING, RETAINING POST-SB1173	A B C	1
- 30	3007962		.COUPLING, FIRST-STAGE SUNGEAR INTRCHG WITH P/N 3018834	A B	1
30A	3018834		.COUPLING, POWER TURBINE SHAFT POST-SB1179	A B C	1
40	3006368		.RING, POSITIONING, COUPLING	A B C	1
50	3009243		.BEARING, BALL, FLANGED INTRCHG WITH P/N 3032623	A B C	1
- 50A	3032623		.BEARING OPTION (IC) (IC) CONSISTS OF:	A B C	1
	3009243		..BEARING, BALL		AR
	3028006		..BEARING, BALL		AR
	3101635-01		..BEARING, BALL		AR

CONTINUED

- ITEM NOT ILLUSTRATED

EFF MODEL A PT6A-27 B PT6A-28 C PT6A-21	EFF MODEL	EFF MODEL
--	-----------	-----------

72-50-04
Figure 2
Page 3
Aug 27/2004

PRATT & WHITNEY CANADA
ILLUSTRATED PARTS CATALOG
MANUAL PART NO. 3013244

FIG. ITEM	PART NUMBER	AIRLINE PART NUMBER	NOMENCLATURE	EFFECT CODE	UNITS PER ASSY
2			1234567		
60	3011095		.SHAFT, POWER TURBINE	A B C	1
70	3006146		.BEARING, ROLLER, FLANGED INTRCHG WITH P/N 3032208	A B C	1
- 70A	3032208		.BEARING OPTION (IC) INTRCHG WITH P/N 3032208 (IC) CONSISTS OF:	A B C	1
	3006146		..BEARING, ROLLER, FLANGED		AR
	3028004		..BEARING, ROLLER, FLANGED		AR
	3102455-01		..BEARING, ROLLER, FLANGED		AR
- 70B	3032208		.BEARING OPTION (IC) PRE-PT6A SPB NO.63 TWO-WAY INTRCHG WITH P/N 3032208 (IC) CONSISTS OF:	A B C	1
	3006146		..BEARING, ROLLER, FLANGED		AR
	3028004		..BEARING, ROLLER, FLANGED		AR
	3031717		..BEARING, ROLLER, FLANGED		AR
	3102455-01		..BEARING, ROLLER, FLANGED		AR
- 70C	3032208		.BEARING OPTION (IC) POST-PT6A SPB NO.63 (IC) CONSISTS OF:	A B C	1
	3028004		..BEARING, ROLLER, FLANGED		AR
	3102455-01		..BEARING, ROLLER, FLANGED		AR
- 80	3011262		.SEAL, AIR, POWER TURBINE ROTOR INTRCHG WITH P/N 3014740	A B	1
- 80A	3014740		.SEAL, AIR, POWER TURBINE ROTOR POST-SB1111 PRE-SB1474 INTRCHG WITH P/N 3020035	A B	1
80B	3020035		.SEAL, AIR, POWER TURBINE ROTOR PRE-SB1474 INTRCHG WITH P/N 3104403-01	A B C	1
- 80C	3104403-01		.SEAL, AIR, POWER TURBINE ROTOR POST-SB1474 SEE NOTE 1	A B C	1
- 90	3010712		.DISK, TURBINE INTRCHG WITH P/N 3012812	A B	1
- 90A	3012812		.DISK, TURBINE INTRCHG WITH P/N 3016712	A B	1

CONTINUED

- ITEM NOT ILLUSTRATED

EFF MODEL	EFF MODEL	EFF MODEL
A PT6A-27		
B PT6A-28		
C PT6A-21		

72-50-04

Figure 2

Page 4

Aug 27/2004

PRATT & WHITNEY CANADA
ILLUSTRATED PARTS CATALOG
MANUAL PART NO. 3013244

FIG. ITEM	PART NUMBER	AIRLINE PART NUMBER	1234567 NOMENCLATURE	EFFECT CODE	UNITS PER ASSY
2					
- 90B	3016712		.DISK, TURBINE INTRCHG WITH P/N 3022412	A B	1
90C	3022412		.DISK, TURBINE PRE-SB1541 TWO-WAY INTRCHG WITH P/N 3026812	A B C	1
- 90D	3026812		.DISK, TURBINE POST-SB1541	A B C	1
- 100	3007780		.RIVET, TUBULAR, CSK NONINTR WITH P/N 3018344	A B	41
100A	3018344		.RIVET, TUBULAR, CSK POST-SB1150	A B C	41
110	3013102		.BLADE, TURBINE	A B C	41
120	AN125403		.RIVET, UNIVERSAL HEAD USE 0 TO 20 MAX. PRE-PT6A SPB NO.23 TWO-WAY INTRCHG WITH P/N AN123153	A B C	AR
- 120A	AN123153		.RIVET, SOLID POST-PT6A SPB NO.23	A B C	AR
130	3010117CL		.WEIGHT, BALANCE, USE 0 TO 7 MAX. (UNITS IN COMBINATIONS OF CLASSES AS REQUIRED)	A B C	AR
	3010117CL1		.WEIGHT, 0.026 OZ		AR
	3010117CL2		.WEIGHT, 0.035 OZ		AR
	3010117CL3		.WEIGHT, 0.042 OZ		AR
	3010117CL4		.WEIGHT, 0.051 OZ		AR
	3010117CL5		.WEIGHT, 0.007 OZ		AR
140	AN123158		.RIVET, UNIVERSAL HEAD	A B C	AR
150	3009024		.BOLT, TURBINE STUBSHAFT PRE-SB1459 INTRCHG WITH P/N 3111764-01	A B C	1
- 150A	3111764-01		.BOLT, TURBINE RETAINING POST-SB1459	A B C	1

CONTINUED

- ITEM NOT ILLUSTRATED

EFF MODEL A PT6A-27 B PT6A-28 C PT6A-21	EFF MODEL	EFF MODEL
--	-----------	-----------

72-50-04
Figure 2
Page 5
Aug 27/2004

PRATT & WHITNEY CANADA
ILLUSTRATED PARTS CATALOG
MANUAL PART NO. 3013244

FIG. ITEM	PART NUMBER	AIRLINE PART NUMBER	NOMENCLATURE	EFFECT CODE	UNITS PER ASSY
2 160	3009022		1234567 .WASHER, KEY <u>NOTE 1</u> : P/N 3104403-01 AND P/N 3104402-01 (REF. FIG. 1) MUST BE FITTED AS A SET	A B C	1

- ITEM NOT ILLUSTRATED

EFF MODEL	EFF MODEL	EFF MODEL
A PT6A-27		
B PT6A-28		
C PT6A-21		

72-50-04
Figure 2
Page 6
Aug 27/2004

Exhaust Duct And Insulation Blanket Group

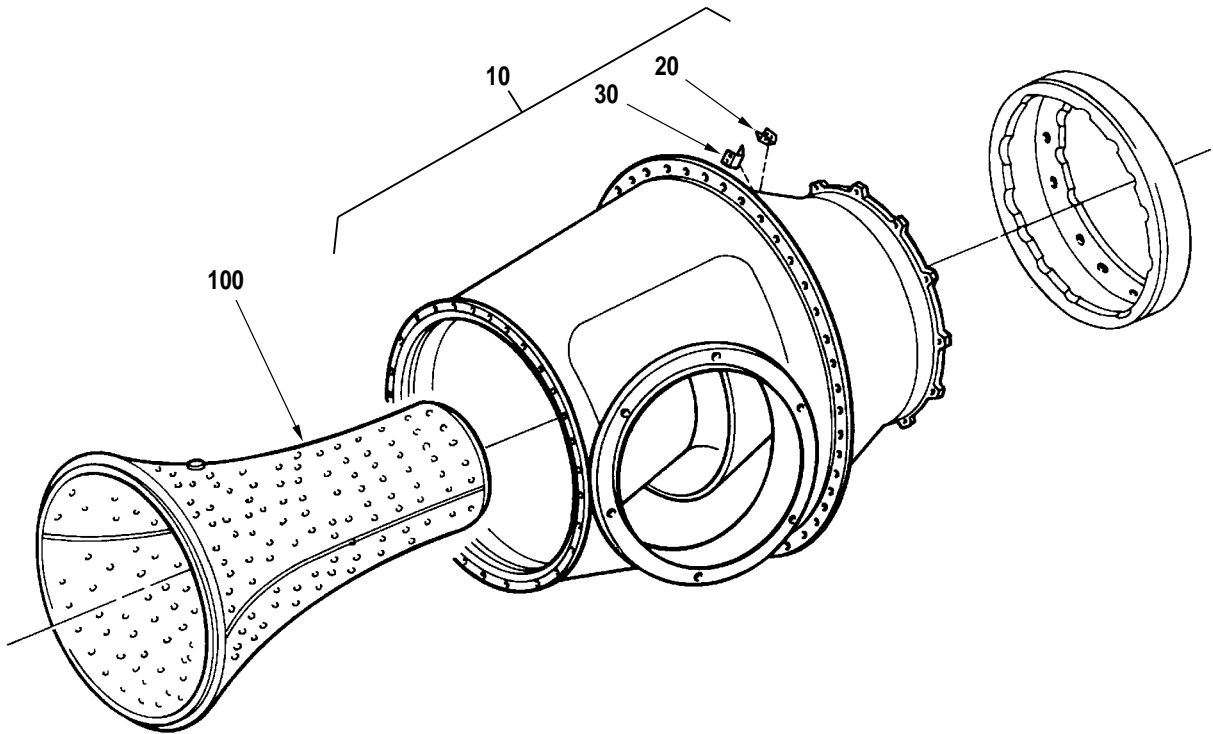
72-50-05

Figure 1

Page 1

Aug 27/2004

PRATT & WHITNEY CANADA
ILLUSTRATED PARTS CATALOG
MANUAL PART NO. 3013244



Exhaust Duct And Insulation Blanket Group
Figure 1

C52075A
72-50-05
Figure 1
Page 2
Aug 27/2004

PRATT & WHITNEY CANADA
ILLUSTRATED PARTS CATALOG
MANUAL PART NO. 3013244

FIG. ITEM	PART NUMBER	AIRLINE PART NUMBER	NOMENCLATURE	EFFECT CODE	UNITS PER ASSY
1			1234567		
- 1			EXHAUST DUCT AND INSULATION BLANKET GROUP SEE 72-00-00 FIG. 1 FOR NHA	A B C	REF
10	3012290		.DUCT ASSEMBLY, TURBINE EXHAUST PRE-SB1149 PRE-SB1324 PRE-SB1358 POST-SB1430 TWO-WAY INTRCHG WITH P/N 3012290 (SB1149) INTRCHG WITH P/N 3031988 INTRCHG WITH P/N 3032117 SEE NOTE 1 AND 2	A B C	1
	3012290 (SB1149)		.DUCT ASSEMBLY, TURBINE EXHAUST FOR ENGINES BUILT TO BS801 REWORKED FROM P/N 3012290 POST-SB1149	A B	RWK
- 10A	3026931		.DUCT ASSEMBLY, TURBINE EXHAUST PRE-SB1324 PRE-SB1358 PRE-SB1430 INTRCHG WITH P/N 3101037-02 INTRCHG WITH P/N 3101037-03 INTRCHG WITH P/N 3035784 SEE NOTE 1 AND 2	A B C	1
- 10B	3101037-02		.DUCT ASSEMBLY, TURBINE EXHAUST POST-SB1324 PRE-SB1358 PRE-SB1430 INTRCHG WITH P/N 3101037-03 INTRCHG WITH P/N 3111780-01 SEE NOTE 1 AND 2	A B C	1
- 10C	3101037-03		.DUCT ASSEMBLY, TURBINE EXHAUST POST-SB1358 PRE-SB1430 INTRCHG WITH P/N 3035786 SEE NOTE 1 AND 2	B	1
- 10D	3031988		.DUCT ASSEMBLY, TURBINE EXHAUST POST-SB1358 PRE-SB1430 POST-SB1430 INTRCHG WITH P/N 3032117 SEE NOTE 1 AND 2	A B C	1

CONTINUED

- ITEM NOT ILLUSTRATED

EFF MODEL A PT6A-27 B PT6A-28 C PT6A-21	EFF MODEL	EFF MODEL
--	-----------	-----------

72-50-05
Figure 1
Page 3
Aug 27/2004

PRATT & WHITNEY CANADA
ILLUSTRATED PARTS CATALOG
MANUAL PART NO. 3013244

FIG. ITEM	PART NUMBER	AIRLINE PART NUMBER	NOMENCLATURE	EFFECT CODE	UNITS PER ASSY
			1234567		
1					
- 10E	3032117		. DUCT ASSEMBLY, TURBINE EXHAUST POST-SB1358 PRE-SB1430 POST-SB1430 SEE NOTE 1 AND 2	B	1
- 10F	3035784		. DUCT ASSEMBLY, TURBINE EXHAUST POST-SB1430 SEE NOTE 1 AND 2	A B C	1
- 10G	3035786		. DUCT ASSEMBLY, TURBINE EXHAUST POST-SB1430 SEE NOTE 1 AND 2	B	1
- 10H	3111949-01		. DUCT ASSEMBLY, TURBINE EXHAUST REWORK OF P/N 3101037-03 POST-SB1430 INTRCHG WITH P/N 3111780-01 SEE NOTE 1 AND 2	B	1
- 10J	DELETED		DUCT ASSEMBLY, TURBINE EXHAUST		
- 10K	3111780-01		. DUCT ASSEMBLY, TURBINE EXHAUST POST-SB1430 SEE NOTE 1 AND 2	A B C	1
- 10L	3104277-01		. DUCT ASSEMBLY, TURBINE EXHAUST FOR ENGINES BUILT TO BS801	A	1
- 10M	3115959-01		. DUCT ASSEMBLY, TURBINE EXHAUST FOR ENGINES BUILT TO BS801	A	1
20	3010656		..CLIP, T5 WIRING HARNESS	A B C	1
30	3010667		..CLIP, T5 WIRING HARNESS	A B C	1
- 40	3015773		..DUCT ASSEMBLY, INNER SECTION FOR ENGINES BUILT TO BS801 (REPAIR PART) POST-SB1149 INTRCHG WITH P/N 3028384 SEE NOTE 3	A B	NP
- 40A	3028384		..DUCT ASSEMBLY, INNER SECTION POST-SB1151 PRE-SB1430 INTRCHG WITH P/N 3106820-01	A B C	1
- 40B	3106820-01		..DUCT ASSEMBLY, INNER SECTION POST-SB1430 SEE NOTE 4	A B C	1
- 50	3022254		..DUCT ASSEMBLY, INNER CONE INTRCHG WITH P/N 3028383 SEE NOTE 3	A B C	1

CONTINUED

- ITEM NOT ILLUSTRATED

EFF MODEL A PT6A-27 B PT6A-28 C PT6A-21	EFF MODEL	EFF MODEL
--	-----------	-----------

72-50-05
Figure 1
Page 4
Aug 27/2004

PRATT & WHITNEY CANADA
ILLUSTRATED PARTS CATALOG
MANUAL PART NO. 3013244

FIG. ITEM	PART NUMBER	AIRLINE PART NUMBER	1234567 NOMENCLATURE	EFFECT CODE	UNITS PER ASSY
1					
- 50A	3028383		..DUCT ASSEMBLY, EXHAUST INNER SEE NOTE 5	A B C	1
- 60	3022658		..RING, REINFORCING POST-SB1197 SEE NOTE 3	A B C	1
- 70	3022659		..RING, REINFORCING POST-SB1197 SEE NOTE 3	A B C	1
- 80	3022657		..LUG, WIRING POST-SB1197 SEE NOTE 3	A B C	2
- 90	3101033-01		..FLANGE, EXHAUST DUCT, REAR POST-SB1324 INTRCHG WITH P/N 3101041-01	A B C	1
- 90A	3101041-01		..FLANGE, EXHAUST DUCT, REAR POST-SB1358 INTRCHG WITH P/N 3101033-01	B	1
- 90B	3101033-01		..FLANGE, EXHAUST DUCT, REAR	B	1
100	3011755		.INSULATION BLANKET, THERMAL, POWER SECTION	A B C	1
- 100A	3006384		.INSULATION BLANKET, THERMAL, POWER SECTION FOR ENGINES BUILT TO BS801 NOTE 1: REWORKED PART, WILL NOT BE SUPPLIED AS A SPARE NOTE 2: OBTAINABLE BY REWORK OF OLD PART NOTE 3: THESE PARTS ARE A SOURCE OF MATERIAL FOR THE REPAIR OF EXHAUST DUCT ASSEMBLY P/N 3012290 NOTE 4: THIS PART IS A SOURCE OF MATERIAL FOR THE REPAIR OF EXHAUST DUCT ASSEMBLIES P/N 3035784, 3035786 AND 3111949-01 NOTE 5: THIS PART IS A SOURCE OF MATERIAL FOR THE REPAIR OF EXHAUST DUCT ASSEMBLIES P/N 3012290, 3026931, 3031988 AND 3101037-02	A	1

- ITEM NOT ILLUSTRATED

EFF MODEL A PT6A-27 B PT6A-28 C PT6A-21	EFF MODEL	EFF MODEL
--	-----------	-----------

72-50-05
Figure 1
Page 5/6
Aug 27/2004

