

PRATT & WHITNEY CANADA
ILLUSTRATED PARTS CATALOG
MANUAL PART NO. 3013244

LIST OF EFFECTIVE PAGES

<u>CHAPTER SECTION</u>	<u>PAGE</u>	<u>DATE</u>
LEP	1	Aug 27/2004
	2 blank	Aug 27/2004
Contents	1	Aug 27/2004
	2 blank	Aug 27/2004
72-40-01 Figure 1	1	Aug 27/2004
	2	Aug 27/2004
	3	Aug 27/2004
	4	Aug 27/2004
	5	Aug 27/2004
	6 blank	Aug 27/2004

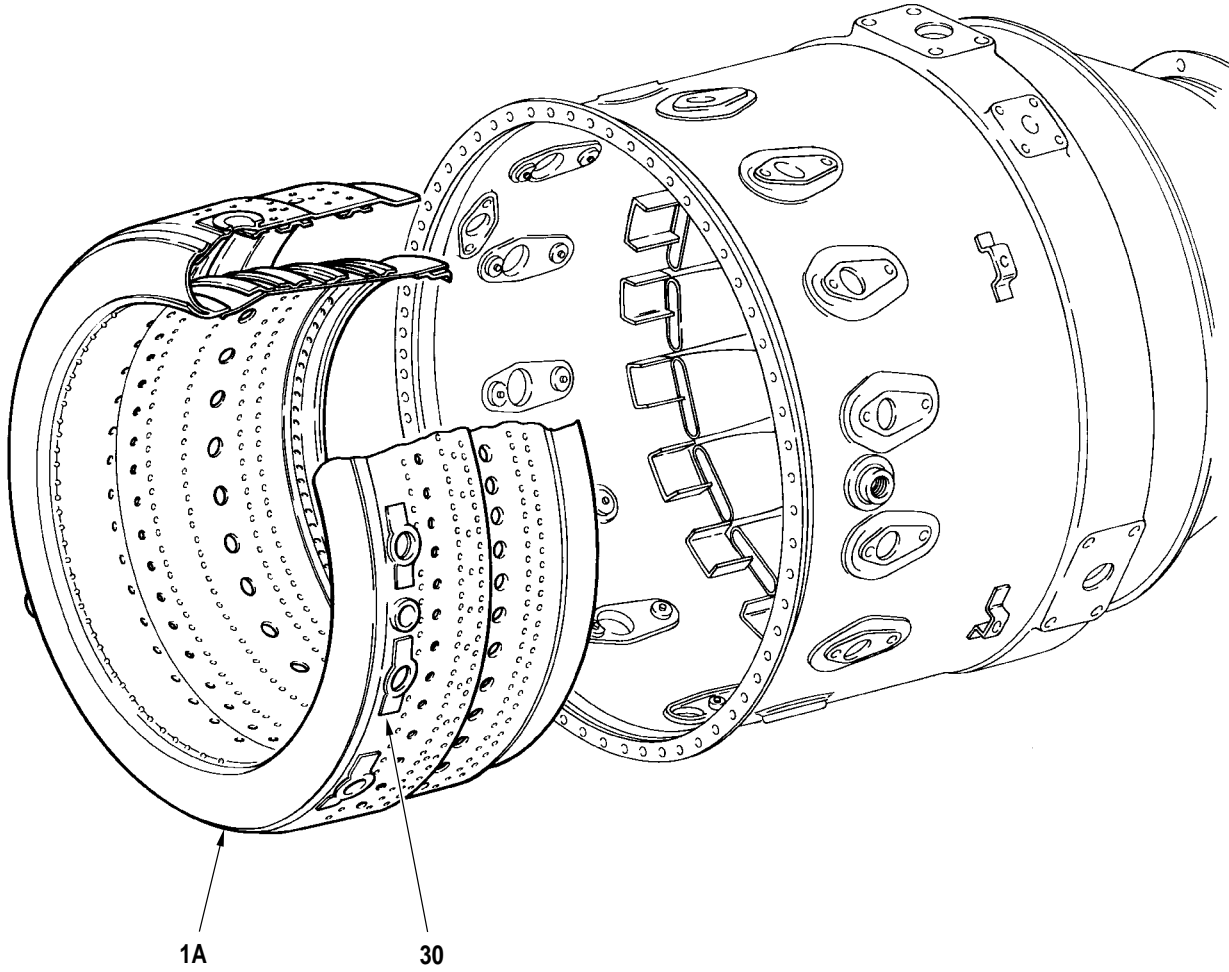
PRATT & WHITNEY CANADA
ILLUSTRATED PARTS CATALOG
MANUAL PART NO. 3013244

TABLE OF CONTENTS

<u>TITLE</u>	<u>CH/SE/SU</u>	<u>FIGURE</u>
Liner Assembly, Combustion Chamber	72-40-01	1

Liner Assembly, Combustion Chamber

PRATT & WHITNEY CANADA
ILLUSTRATED PARTS CATALOG
MANUAL PART NO. 3013244



Liner Assembly, Combustion Chamber
Figure 1

C52037A

72-40-01

Figure 1

Page 2

Aug 27/2004

PRATT & WHITNEY CANADA
ILLUSTRATED PARTS CATALOG
MANUAL PART NO. 3013244

FIG. ITEM	PART NUMBER	AIRLINE PART NUMBER	NOMENCLATURE	EFFECT CODE	UNITS PER ASSY
1			1234567		
- 1	3011283		LINER ASSEMBLY, COMBUSTION CHAMBER INTRCHG WITH P/N 3014144 SEE 72-00-00 FIG. 1 FOR NHA	A B	1
- 1A	3014144		LINER ASSEMBLY, COMBUSTION CHAMBER NONINTR WITH P/N 3020957	A B	1
- 1B	3020957		LINER ASSEMBLY, COMBUSTION CHAMBER INTRCHG WITH P/N 3020491 SEE NOTE 1	A B	1
- 1C	3020491		LINER ASSEMBLY, COMBUSTION CHAMBER POST-SB1175 INTRCHG WITH P/N 3022535	A B	1
- 1D	3022535		LINER ASSEMBLY, COMBUSTION CHAMBER POST-SB1220 INTRCHG WITH P/N 3024576	A B	1
- 1E	3024576		LINER ASSEMBLY, COMBUSTION CHAMBER FOR ENGINES BUILT TO BS307, BS321, BS324, BS325, BS330, BS362, BS367, BS374, BS392, BS393, BS410, BS414, BS423, BS622, BS624, BS877 POST-SB1216 PRE-SB1434 INTRCHG WITH P/N 3109264-01	A B C	1
- 1F	3109264-01		LINER ASSEMBLY, COMBUSTION CHAMBER FOR ENGINES BUILT TO BS307, BS321, BS324, BS325, BS330, BS362, BS367, BS374, BS392, BS393, BS410, BS414, BS423, BS622, BS624, BS877 MAY BE OBTAINED BY REWORK OF P/N 3024576 SEE NOTE 2 POST-SB1434 PRE-SB1556 TWO-WAY INTRCHG WITH P/N 3122633-01	A B C	1

CONTINUED

- ITEM NOT ILLUSTRATED

EFF MODEL A PT6A-27 B PT6A-28 C PT6A-21	EFF MODEL	EFF MODEL
--	-----------	-----------

72-40-01
Figure 1
Page 3
Aug 27/2004

PRATT & WHITNEY CANADA
ILLUSTRATED PARTS CATALOG
MANUAL PART NO. 3013244

FIG. ITEM	PART NUMBER	AIRLINE PART NUMBER	NOMENCLATURE	EFFECT CODE	UNITS PER ASSY
			1234567		
1					
- 1G	3122633-01		LINER ASSEMBLY, COMBUSTION CHAMBER MAY BE OBTAINED BY REWORK OF P/N 3109264-01 POST-SB1556	A B C	1
- 10	3007280		.RING, COOLING COMBUSTION CHAMBER LINER COMPONENT OF P/N 3014144, 3020957 AND 3020491	A B	1
- 20	3022522		.RING, COOLING COMBUSTION CHAMBER LINER COMPONENT OF P/N 3022535 AND 3024576	A B C	1
- 25	3024590		.STRIP, SUPPORT, COMBUSTION CHAMBER LINER, OUTER COMPONENT OF P/N 3022535 AND 3024576	A B C	1
- 25A	3109267-01		.WRAPPER, COMBUSTION CHAMBER LINER, OUTER COMPONENT OF P/N 3109264-01 (REPAIR PART) SEE NOTE 3 POST-SB1434	A B C	1
- 26	3027730		.WRAPPER ASSEMBLY, COMBUSTION CHAMBER LINER, OUTER (REPAIR PART FOR 3024576)	A B C	1
30	3019221		.BRACKET ASSEMBLY, SUSPENSION, COMBUSTION CHAMBER (REPAIR PART FOR USE ON 3014144, 3020957 AND 3020491) INTRCHG WITH P/N 3027732	A B	AR
- 30A	3027732		.BRACKET, SUSPENSION PIN (REPAIR PART FOR USE ON ALL LINER ASSEMBLIES)	A B C	AR
- 30B	3023337		.BRACKET, SUSPENSION PIN	A B C	14
40	DELETED				
50	DELETED				
- 60	3020906		LINER ASSEMBLY, COMBUSTION CHAMBER, OUTER (SOURCE OF PATCH MATERIAL FOR REPAIR OF P/N 3014144, 3020957 AND 3020491)	A B	AR

CONTINUED

- ITEM NOT ILLUSTRATED

EFF MODEL	EFF MODEL	EFF MODEL
A PT6A-27		
B PT6A-28		
C PT6A-21		

72-40-01

Figure 1

Page 4

Aug 27/2004

PRATT & WHITNEY CANADA
ILLUSTRATED PARTS CATALOG
MANUAL PART NO. 3013244

FIG. ITEM	PART NUMBER	AIRLINE PART NUMBER	1234567 NOMENCLATURE	EFFECT CODE	UNITS PER ASSY
1			<p><u>NOTE 1</u>: REWORKED PART INTRODUCED BY SB1175</p> <p><u>NOTE 2</u>: MAY BE OBTAINED BY REWORK AND REIDENTIFICATION OF P/N 3024576</p> <p><u>NOTE 3</u>: PART REQUIRED FOR REWORK</p>		

- ITEM NOT ILLUSTRATED

EFF MODEL	EFF MODEL	EFF MODEL
-----------	-----------	-----------

72-40-01
Figure 1
Page 5/6
Aug 27/2004

