

PRATT & WHITNEY CANADA
ILLUSTRATED PARTS CATALOG
MANUAL PART NO. 3013244

LIST OF EFFECTIVE PAGES

<u>CHAPTER SECTION</u>	<u>PAGE</u>	<u>DATE</u>	<u>CHAPTER SECTION</u>	<u>PAGE</u>	<u>DATE</u>
LEP	1	Nov 26/2004		14	Nov 26/2004
	2	Nov 26/2004		15	Nov 26/2004
				16	Nov 26/2004
Contents	1	Nov 26/2004		17	Nov 26/2004
	2	blank		18	Nov 26/2004
				19	Nov 26/2004
72-10-00 Figure 1	1	Aug 27/2004		20	Nov 26/2004
	2	Aug 27/2004		21	Nov 26/2004
	3	Aug 27/2004		22	blank
	4	Aug 27/2004			
	5	Aug 27/2004			
	6	Aug 27/2004	72-10-00	1	Aug 27/2004
	7	Aug 27/2004	Figure 4	2	Aug 27/2004
	8	Aug 27/2004		3	Aug 27/2004
	9	deleted		4	Aug 27/2004
	10	deleted		5	Aug 27/2004
72-10-00 Figure 2	1	Aug 27/2004		6	Aug 27/2004
	2	Aug 27/2004		7	Aug 27/2004
	3	Aug 27/2004		8	Aug 27/2004
	4	Aug 27/2004		9	Aug 27/2004
	5	Aug 27/2004		10	Aug 27/2004
	6	Aug 27/2004		11	Aug 27/2004
	7	Aug 27/2004		12	Aug 27/2004
	8	Aug 27/2004		13	Aug 27/2004
	9	Aug 27/2004		14	Aug 27/2004
	10	Aug 27/2004		15	Aug 27/2004
72-10-00 Figure 3				16	Aug 27/2004
				17	Aug 27/2004
	1	Nov 26/2004		18	Aug 27/2004
	2	Nov 26/2004		19	Aug 27/2004
	3	Nov 26/2004		20	Aug 27/2004
	4	Nov 26/2004		21	Aug 27/2004
	5	Nov 26/2004		22	blank
	6	Nov 26/2004			
	7	Nov 26/2004			
	8	Nov 26/2004	72-10-00	1	Aug 27/2004
9	Nov 26/2004	Figure 5	2	Aug 27/2004	
10	Nov 26/2004		3	Aug 27/2004	
11	Nov 26/2004		4	Aug 27/2004	
12	Nov 26/2004		5	Aug 27/2004	
13	Nov 26/2004		6	blank	

PRATT & WHITNEY CANADA
ILLUSTRATED PARTS CATALOG
MANUAL PART NO. 3013244

LIST OF EFFECTIVE PAGES

<u>CHAPTER SECTION</u>	<u>PAGE</u>	<u>DATE</u>
72-10-00	1	Aug 27/2004
Figure 6	2	Aug 27/2004
	3	Aug 27/2004
	4	Aug 27/2004
	5	Aug 27/2004
	6 blank	Aug 27/2004
72-10-00	1	Aug 27/2004
Figure 7	2	Aug 27/2004
	3	Aug 27/2004
	4	Aug 27/2004

PRATT & WHITNEY CANADA
ILLUSTRATED PARTS CATALOG
MANUAL PART NO. 3013244

TABLE OF CONTENTS

<u>TITLE</u>	<u>CH/SE/SU</u>	<u>FIGURE</u>
Chip Detector Installation (PT6A-27/-28)	72-10-00	7
Gearbox Assembly, Propeller - Carrier Balancing Assembly (PT6A-27/-28)	72-10-00	4
Gearbox Assembly, Propeller - External Components (PT6A-27/-28)	72-10-00	1
Gearbox Assembly, Propeller Reduction - Carrier Set and Prop Shaft (PT6A-27/-28)	72-10-00	3
Gearbox Assembly, Propeller Reduction - Cover, Bearing And Internal Components (PT6A-27/-28)	72-10-00	2
Housing Assembly, Propeller Reduction Gearbox, Front (PT6A-27/-28)	72-10-00	5
Housing Assembly Reduction Gearbox, Rear (PT6A-27/-28)	72-10-00	6

Gearbox Assembly, Propeller -
External Components
(PT6A-27/-28)

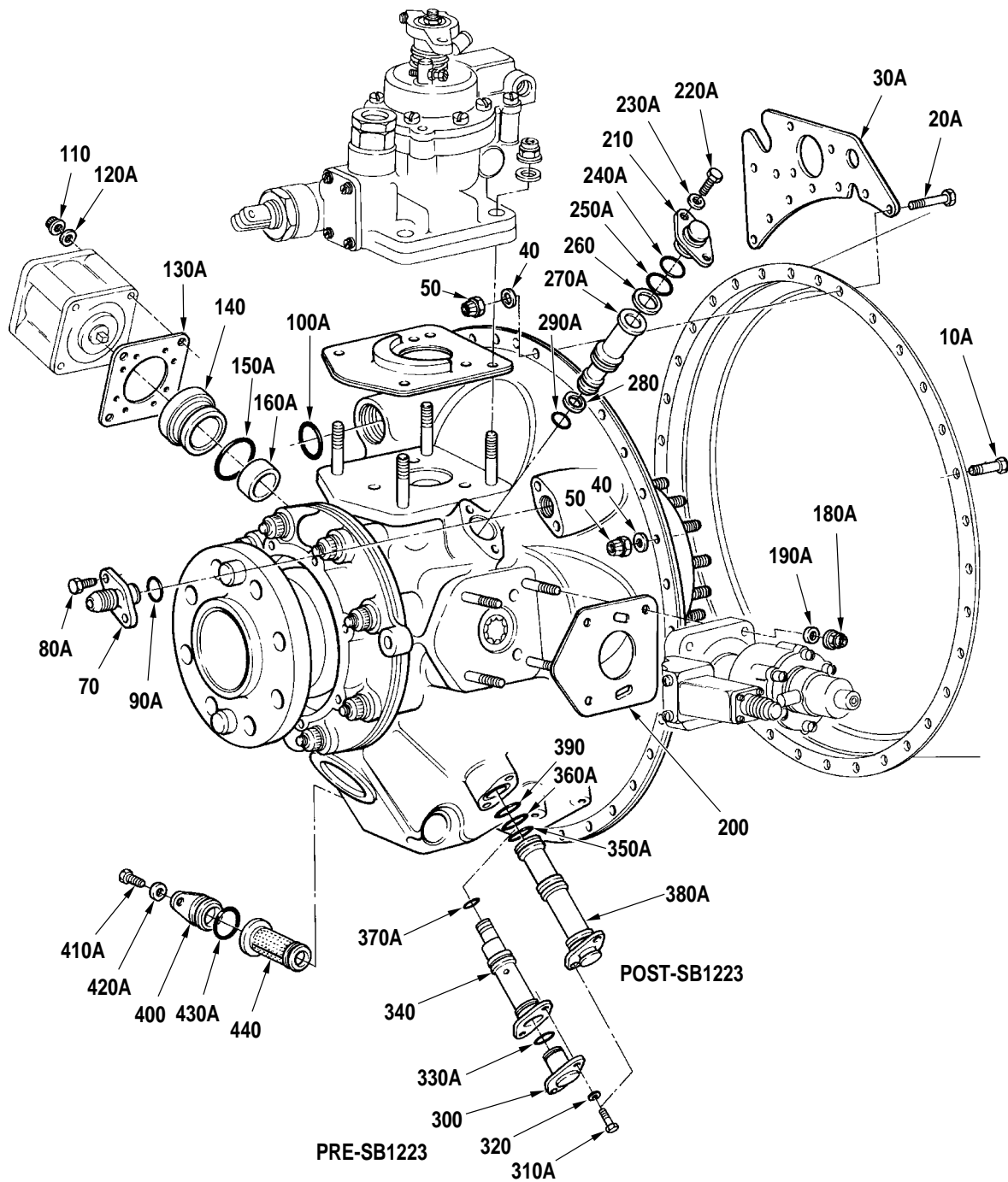
72-10-00

Figure 1

Page 1

Aug 27/2004

PRATT & WHITNEY CANADA
ILLUSTRATED PARTS CATALOG
MANUAL PART NO. 3013244



C52022A

Gearbox Assembly, Propeller - External Components
(PT6A-27/-28)
Figure 1

72-10-00

Figure 1

Page 2

Aug 27/2004

PRATT & WHITNEY CANADA
ILLUSTRATED PARTS CATALOG
MANUAL PART NO. 3013244

FIG. ITEM	PART NUMBER	AIRLINE PART NUMBER	NOMENCLATURE	EFFECT CODE	UNITS PER ASSY
1			1234567		
- 1	3013340		GEARBOX ASSEMBLY, PROPELLER REDUCTION, EXTERNAL COMPONENTS BREAKDOWN CONT'D ON FIG. 2 THRU FIG. 4 SEE 72-00-00 FIG. 1 FOR NHA ATTACHING PARTS	A B	REF
- 10	3012367		BOLT, MACHINE, HEX INTRCHG WITH P/N MS9518-13	A	29
10A	MS9518-13		BOLT, MACHINE, HEX	A B	29
- 20	3012203		BOLT, MACHINE, HEX INTRCHG WITH P/N MS9518-14	A	7
20A	MS9518-14		BOLT, MACHINE, HEX	A B	7
- 30	3012670		BRACKET, ENGINE LIFTING AND ACCESSORY MOUNTING, FRONT NONINTR WITH P/N 3022333	A B	1
30A	3022333		BRACKET, ENGINE LIFTING AND ACCESSORY MOUNTING, FRONT POST-SB1185	A B	1
- 30B	DELETED				
40	3003988		.WASHER, PLAIN	A B	36
50	3012675		.NUT OPTION (IC) SEE TABLE FOR OPTIONAL PART NUMBERS -----*-----	A B	36
60	DELETED				
70	3007101		.CONNECTOR, TORQUEMETER TRANSMITTER ATTACHING PARTS	A B	1
- 80	3012141		.BOLT, MACHINE, DRD, HEX INTRCHG WITH P/N MS9529-08	A B	2
80A	MS9529-08		.BOLT, MACHINE, DRD, HEX -----*-----	A B	2
- 90	3002450		.PACKING, PREFORMED INTRCHG WITH P/N MS9388-011	A B	1
90A	MS9388-011		.PACKING, PREFORMED INTRCHG WITH P/N AS3209-011	A B	1

CONTINUED

- ITEM NOT ILLUSTRATED

EFF MODEL A PT6A-27 B PT6A-28	EFF MODEL	EFF MODEL
-------------------------------------	-----------	-----------

PRATT & WHITNEY CANADA
ILLUSTRATED PARTS CATALOG
MANUAL PART NO. 3013244

FIG. ITEM	PART NUMBER	AIRLINE PART NUMBER	NOMENCLATURE	EFFECT CODE	UNITS PER ASSY
			1234567		
1					
- 90B	AS3209-011		.PACKING, PREFORMED	A B	1
- 100	3004695		.PACKING, PREFORMED INTRCHG WITH P/N MS9388-213	A B	1
100A	MS9388-213		.PACKING, PREFORMED INTRCHG WITH P/N AS3209-213	A B	1
- 100B	AS3209-213		.PACKING, PREFORMED	A B	1
110	3012680		.NUT OPTION (IC) SEE TABLE FOR OPTIONAL PART NUMBERS	A B	4
- 120	AN122582		.WASHER, FLAT	A B	4
120A	MS9320-10		.WASHER, FLAT	A B	4
- 130	3009559		.WASHER, FLAT SEE AIRFRAME MANUAL FOR ACCESSORY INTRCHG WITH P/N MS9134-01	A B	1
130A	MS9134-01		.GASKET, ACCESSORY MOUNTING PRE-SB1481 TWO-WAY INTRCHG WITH P/N ST3276-01	A B	1
- 130B	ST3276-01		.GASKET, ACCESSORY MOUNTING POST-SB1481	A B	1
140	3003957		.CARRIER, OIL SEAL, TACHOMETER DRIVE BEVEL GEAR	A B	1
- 150	3003822		.PACKING, PREFORMED INTRCHG WITH P/N MS9388-026	A B	1
150A	MS9388-026		.PACKING, PREFORMED INTRCHG WITH P/N AS3209-026	A B	1
- 150B	AS3209-026		.PACKING, PREFORMED	A B	1
- 160	3012472		.SEAL, PLAIN INTRCHG WITH P/N 3016576	A B	1
160A	3016576		.SEAL OPTION (IC) POST-SB1083 INTRCHG WITH P/N 3022374 (IC) CONSISTS OF:	A B	1
	3015523		..SEAL, PLAIN		AR
	3015534		..SEAL, PLAIN		AR
- 160B	3022374		.SEAL, PLAIN POST-SB1255	A	1

CONTINUED

- ITEM NOT ILLUSTRATED

EFF MODEL A PT6A-27 B PT6A-28	EFF MODEL	EFF MODEL
-------------------------------------	-----------	-----------

72-10-00

Figure 1

Page 4

Aug 27/2004

PRATT & WHITNEY CANADA
ILLUSTRATED PARTS CATALOG
MANUAL PART NO. 3013244

FIG. ITEM	PART NUMBER	AIRLINE PART NUMBER	NOMENCLATURE	EFFECT CODE	UNITS PER ASSY
1			1234567		
170	DELETED				
- 180	3012155		.NUT, SELF-LOCKING, DBL HEX INTRCHG WITH P/N 3021772 INTRCHG WITH P/N ST3066-11	A B	4
180A	3021772		.NUT OPTION (IC) SEE TABLE FOR OPTIONAL PART NUMBERS POST-SB1231	A B	4
- 180B	ST3066-11		.NUT OPTION (IC) SEE TABLE FOR OPTIONAL PART NUMBERS	A B	4
- 190	AN122583		.WASHER, FLAT INTRCHG WITH P/N MS9320-11	A B	4
190A	MS9320-11		.WASHER, FLAT	A B	4
200	3010818		.GASKET, OVERSPEED GOVERNOR MOUNTING SEE AIRFRAME MANUAL FOR ACCESSORY PRE-SB1487 TWO-WAY INTRCHG WITH P/N 3118953-01	A B	1
- 200A	3118953-01		.GASKET, OVERSPEED GOVERNOR MOUNTING SEE AIRFRAME MANUAL FOR ACCESSORY POST-SB1487	A B	1
210	3009911		.COVER, PACKING INTRCHG WITH P/N 3108979-01	A B	1
- 210A	3108979-01		.COVER, PACKING	A B	1
			ATTACHING PARTS		
- 220	3012141		.BOLT, MACHINE, DRD HEX INTRCHG WITH P/N MS9529-08	A B	2
220A	MS9529-08		.BOLT, MACHINE, DRD HEX	A B	2
- 230	AN122581		.WASHER, FLAT INTRCHG WITH P/N MS9320-09	A B	2
230A	MS9320-09		.WASHER, FLAT	A B	2
			-----*-----		
- 240	3001641		.PACKING, PREFORMED INTRCHG WITH P/N MS9388-017	A B	1

CONTINUED

- ITEM NOT ILLUSTRATED

EFF MODEL A PT6A-27 B PT6A-28	EFF MODEL	EFF MODEL
-------------------------------------	-----------	-----------

72-10-00

Figure 1

Page 5

Aug 27/2004

PRATT & WHITNEY CANADA
ILLUSTRATED PARTS CATALOG
MANUAL PART NO. 3013244

FIG. ITEM	PART NUMBER	AIRLINE PART NUMBER	NOMENCLATURE	EFFECT CODE	UNITS PER ASSY
			1234567		
1					
240A	MS9388-017		.PACKING, PREFORMED INTRCHG WITH P/N AS3209-017	A B	1
- 240B	AS3209-017		.PACKING, PREFORMED	A B	1
- 250	3001640		.PACKING, PREFORMED INTRCHG WITH P/N MS9388-016	A B	1
250A	MS9388-016		.PACKING, PREFORMED INTRCHG WITH P/N AS3209-016	A B	1
- 250B	AS3209-016		.PACKING, PREFORMED	A B	1
260	3009913		.RETAINER, PACKING	A B	1
- 270	3009912		.TUBE, TRANSFER, OIL INTRCHG WITH P/N 3026886	A B	1
270A	3026886		.TUBE, TRANSFER, OIL POST-SB1226 PRE-SB1393 NONINTR WITH P/N 3028820	A B	1
- 270B	3028820		.TUBE, TRANSFER PACKING POST-SB1393	A B	1
280	3009919		.RETAINER, PACKING	A B	1
- 290	3001639		.PACKING, PREFORMED INTRCHG WITH P/N MS9388-014	A B	1
290A	MS9388-014		.PACKING, PREFORMED INTRCHG WITH P/N AS3209-014	A B	1
- 290B	AS3209-014		.PACKING, PREFORMED	A B	1
300	3007104		.COVER, PACKING PRE-SB1223	A B	1
			ATTACHING PARTS		
- 310	3012141		.BOLT, MACHINE, DRD HEX INTRCHG WITH P/N MS9529-08	A B	2
310A	MS9529-08		.BOLT, MACHINE, DRD HEX	A B	2
320	MS9320-09		.WASHER, FLAT	A B	2
			-----*-----		
- 330	3001638		.PACKING, PREFORMED INTRCHG WITH P/N MS9388-012	A B	1

CONTINUED

- ITEM NOT ILLUSTRATED

EFF MODEL A PT6A-27 B PT6A-28	EFF MODEL	EFF MODEL
-------------------------------------	-----------	-----------

72-10-00

Figure 1

Page 6

Aug 27/2004

PRATT & WHITNEY CANADA
ILLUSTRATED PARTS CATALOG
MANUAL PART NO. 3013244

FIG. ITEM	PART NUMBER	AIRLINE PART NUMBER	1234567 NOMENCLATURE	EFFECT CODE	UNITS PER ASSY
1					
330A	MS9388-012		.PACKING, PREFORMED PRE-SB1223 INTRCHG WITH P/N AS3209-012	A B	1
- 330B	AS3209-012		.PACKING, PREFORMED	A B	1
340	3007735		.TUBE, TRANSFER, PROP OIL PRE-SB1223	A B	1
- 350	3001641		.PACKING, PREFORMED INTRCHG WITH P/N MS9388-017	A B	1
350A	MS9388-017		.PACKING, PREFORMED POST-SB1223 INTRCHG WITH P/N AS3209-017	A B	1
- 350B	AS3209-017		.PACKING, PREFORMED	A B	1
- 360	3001640		.PACKING, PREFORMED INTRCHG WITH P/N MS9388-016	A B	1
360A	MS9388-016		.PACKING, PREFORMED POST-SB1223 INTRCHG WITH P/N AS3209-016	A B	1
- 360B	AS3209-016		.PACKING, PREFORMED	A B	1
- 370	3001638		.PACKING, PREFORMED PRE-SB1223 INTRCHG WITH P/N MS9388-012	A B	1
370A	MS9388-012		.PACKING, PREFORMED PRE-SB1223 INTRCHG WITH P/N AS3209-012	A B	1
- 370B	AS3209-012		.PACKING, PREFORMED	A B	1
- 380	3016924		.TUBE, TRANSFER, PROPELLER OIL POST-SB1223 NONINTR WITH P/N 3028279	A B	1
380A	3028279		.TUBE, TRANSFER, PROPELLER OIL POST-SB1236 PRE-SB1393 NONINTR WITH P/N 3028822	A B	1
- 380B	3028822		.TUBE, TRANSFER, PROPELLER OIL POST-SB1393	A B	1
390	MS9388-015		.PACKING, PREFORMED POST-SB1223 INTRCHG WITH P/N AS3209-015	A B	1
- 390A	AS3209-015		.PACKING, PREFORMED	A B	1

CONTINUED

- ITEM NOT ILLUSTRATED

EFF MODEL A PT6A-27 B PT6A-28	EFF MODEL	EFF MODEL
-------------------------------------	-----------	-----------

72-10-00

Figure 1

Page 7

Aug 27/2004

PRATT & WHITNEY CANADA
ILLUSTRATED PARTS CATALOG
MANUAL PART NO. 3013244

FIG. ITEM	PART NUMBER	AIRLINE PART NUMBER	NOMENCLATURE	EFFECT CODE	UNITS PER ASSY
			1234567		
1					
400	3007219		.PLUG, SCAVENGE OIL STRAINER	A B	1
- 410	3012141		.BOLT, MACHINE, DRILLED HEX 0.190-32UNJF X 0.625 INTRCHG WITH P/N MS9529-08	A B	1
410A	MS9529-08		.BOLT, MACHINE, DRD HEX	A B	1
- 420	AN122581		.WASHER, FLAT INTRCHG WITH P/N MS9320-09	A B	1
420A	MS9320-09		.WASHER, FLAT	A B	1
- 430	3003420		.PACKING, PREFORMED INTRCHG WITH P/N MS9388-019	A B	1
430A	MS9388-019		.PACKING, PREFORMED INTRCHG WITH P/N AS3209-019	A B	1
- 430B	AS3209-019		.PACKING, PREFORMED	A B	1
440	3026759		.STRAINER SLEEVE OPTION (IC) INTRCHG WITH P/N 3026654 (IC) CONSISTS OF:	A B	1
	3010629		..STRAINER SLEEVE		AR
	3026654		..STRAINER SLEEVE		AR
	3035101		..STRAINER SLEEVE		AR
- 440A	3026654		.STRAINER SLEEVE, SCAVENGE OIL	A B	1

- ITEM NOT ILLUSTRATED

EFF MODEL A PT6A-27 B PT6A-28	EFF MODEL	EFF MODEL
-------------------------------------	-----------	-----------

72-10-00
Figure 1
Page 8
Aug 27/2004

Gearbox Assembly, Propeller
Reduction - Cover, Bearing And
Internal Components
(PT6A-27/-28)

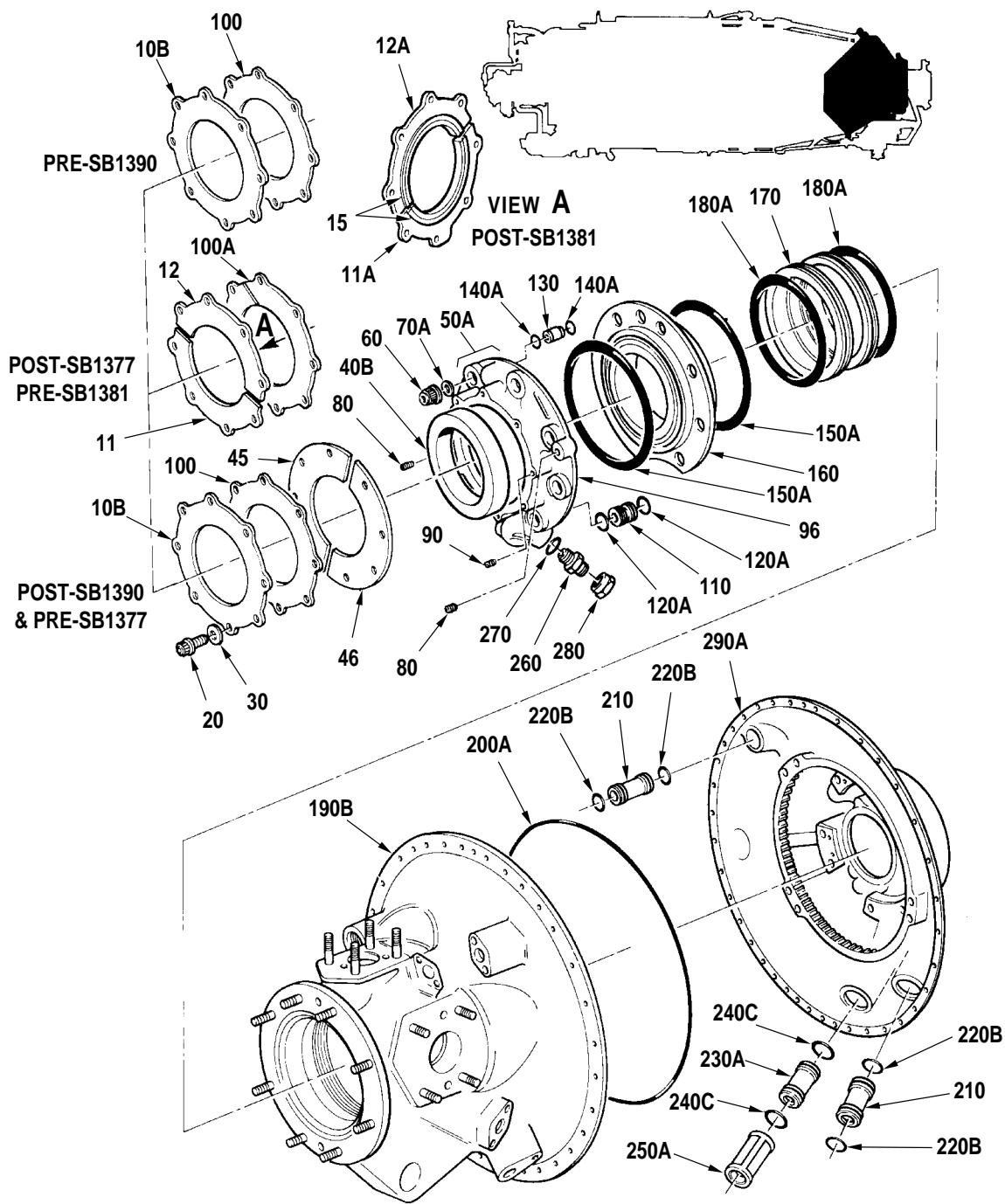
72-10-00

Figure 2

Page 1

Aug 27/2004

PRATT & WHITNEY CANADA
 ILLUSTRATED PARTS CATALOG
 MANUAL PART NO. 3013244



C52023F

Gearbox Assembly, Propeller Reduction - Cover, Bearing
 And Internal Components (PT6A-27/-28)
 Figure 2

72-10-00

Figure 2

Page 2

Aug 27/2004

PRATT & WHITNEY CANADA
ILLUSTRATED PARTS CATALOG
MANUAL PART NO. 3013244

FIG. ITEM	PART NUMBER	AIRLINE PART NUMBER	1234567 NOMENCLATURE	EFFECT CODE	UNITS PER ASSY
2					
- 1			GEARBOX ASSEMBLY, PROPELLER REDUCTION, BREAKDOWN CONT'D FROM FIG. 1	A B	REF
- 10	3011026		.RING, RETAINING, PROPELLER SHAFT OIL SEAL NONINTR WITH P/N 3017052	A B	1
- 10A	3017052		.RING, RETAINING, PROPELLER SHAFT OIL SEAL POST-SB1137 PRE-SB1381 INTRCHG WITH P/N 3024669	A B	2
10B	3024669		.RING, RETAINING, PROPELLER SHAFT OIL SEAL POST-SB1227 PRE-SB1377 NONINTR WITH P/N 3104391-01 NONINTR WITH P/N 3104392-01 SEE NOTE 1	A B	1
11	3104391-01		.RING HALF, LOWER, PROPELLER SHAFT, OIL SEAL RETAINING POST-SB1377 PRE-SB1381 NONINTR WITH P/N 3114353-01 SEE NOTE 3	A B	1
11A	3114353-01		.RING HALF ASSEMBLY, LOWER, PROPELLER SHAFT, OIL SEAL RETAINING FOR ENGINES BUILT TO BS622, BS624, BS877 POST-SB1381 SEE NOTE 3	A B	1
12	3104392-01		.RING HALF, UPPER, PROPELLER SHAFT, OIL SEAL RETAINING POST-SB1377 PRE-SB1381 NONINTR WITH P/N 3114652-01 SEE NOTE 3	A B	1
12A	3114352-01		.RING HALF ASSEMBLY, UPPER, PROPELLER SHAFT, OIL SEAL RETAINING FOR ENGINES BUILT TO BS622, BS624, BS877, BS954 POST-SB1381 SEE NOTE 3	A B	1
- 13	3114355-01		.RING HALF, LOWER, PROPELLER SHAFT, OIL SEAL RETAINING COMPONENT OF P/N 3114353-01	A B	NP

CONTINUED

- ITEM NOT ILLUSTRATED

EFF MODEL A PT6A-27 B PT6A-28	EFF MODEL	EFF MODEL
-------------------------------------	-----------	-----------

72-10-00
Figure 2
Page 3
Aug 27/2004

PRATT & WHITNEY CANADA
ILLUSTRATED PARTS CATALOG
MANUAL PART NO. 3013244

FIG. ITEM	PART NUMBER	AIRLINE PART NUMBER	NOMENCLATURE	EFFECT CODE	UNITS PER ASSY
			1234567		
2					
- 14	3114354-01		. RING HALF, UPPER, PROPELLER SHAFT, OIL SEAL RETAINING COMPONENT OF P/N 3114352-01	A B	NP
15	3114351-01		. STRIP, FELT COMPONENT OF P/N 3114352-01 AND 3114353-01 POST-SB1381 SEE NOTE 3	A B	AR
			ATTACHING PARTS		
20	MS9565-08		. BOLT, MACHINE, DBL HEX FOR ENGINES BUILT TO BS622, BS624, BS877, BS954	A B	8
30	3001564		. WASHER, FLAT FOR ENGINES BUILT TO BS622, BS624, BS877, BS954	A B	8
			-----*-----		
- 40	3011144		. SEAL, PLAIN NONINTR WITH P/N 3013899	A B	1
- 40A	3013899		. SEAL, PLAIN POST-SB1137 PRE-SB1255 PRE-SB1465 INTRCHG WITH P/N 3114661-01 INTRCHG WITH P/N 3026652	A B	1
40B	3026652		. SEAL, PLAIN FOR ENGINES BUILT TO BS622, BS624, BS877, BS954 POST-SB1255 PRE-SB1465 INTRCHG WITH P/N 3114661-01 INTRCHG WITH P/N 3038308	A B	1
- 40C	3114661-01		. SEAL, PLAIN POST-SB1465 PRE-SB1465 INTRCHG WITH P/N 3026652 SEE NOTE 4	A B	1
- 40D	3026652		. SEAL, PLAIN POST-SB1465	A B	1
- 41	3038308		. SEAL, PLAIN USE WITH P/N 3113779-01 PRE-SB1465 INTRCHG WITH P/N 3114661-01 SEE NOTE 4	A B	1

CONTINUED

- ITEM NOT ILLUSTRATED

EFF MODEL A PT6A-27 B PT6A-28	EFF MODEL	EFF MODEL
-------------------------------------	-----------	-----------

72-10-00
Figure 2
Page 4
Aug 27/2004

PRATT & WHITNEY CANADA
ILLUSTRATED PARTS CATALOG
MANUAL PART NO. 3013244

FIG. ITEM	PART NUMBER	AIRLINE PART NUMBER	NOMENCLATURE	EFFECT CODE	UNITS PER ASSY
2			1234567		
- 42	3113779-01		.SEAL, SPACER, PROPELLER SHAFT USE WITH P/N 3038308 PRE-SB1465 SEE NOTE 4	A B	2
45	3106454-01		.SUPPORT RING, HALF, PROPELLER SHAFT OIL SEAL POST-SB1390 SEE NOTE 5	A B	1
46	3106454-02		.SUPPORT RING, HALF, PROPELLER SHAFT OIL SEAL POST-SB1390 SEE NOTE 5	A B	1
- 50	3010180		.COVER ASSEMBLY, PROPELLER THRUST BEARING FOR ENGINES BUILT TO BS954 NONINTR WITH P/N 3024673	A B	1
50A	3024673		.COVER ASSEMBLY, PROPELLER THRUST BEARING FOR ENGINES BUILT TO BS622, BS624, BS877 POST-SB1227 SEE NOTE 1	A B	1
			ATTACHING PARTS		
60	3012157		.NUT, SELF-LOCKING, DBL HEX INTRCHG WITH P/N ST3066-12	A B	8
- 60A	ST3066-12		.NUT OPTION (IC) SEE TABLE FOR OPTIONAL PART NUMBERS	A B	8
- 70	AN122584		.WASHER, FLAT INTRCHG WITH P/N MS9320-12	A B	8
70A	MS9320-12		.WASHER, FLAT, (QTY 6 REQD WHEN USING BRACKET P/N 3011543, 76-10-00 FIG. 2)	A B	8
			-----*-----		
80	MS124736		..INSERT, HELICAL COIL	A B	2
90	MS124735		..INSERT, HELICAL COIL	A B	8
95	3011033		..COVER COMPONENT OF P/N 3010180	A B	NP
- 96	3024671		..COVER COMPONENT OF P/N 3024673	A B	NP

CONTINUED

- ITEM NOT ILLUSTRATED

EFF MODEL A PT6A-27 B PT6A-28	EFF MODEL	EFF MODEL
-------------------------------------	-----------	-----------

72-10-00
Figure 2
Page 5
Aug 27/2004

PRATT & WHITNEY CANADA
ILLUSTRATED PARTS CATALOG
MANUAL PART NO. 3013244

FIG. ITEM	PART NUMBER	AIRLINE PART NUMBER	NOMENCLATURE	EFFECT CODE	UNITS PER ASSY
			1234567		
2					
100	3024672		.GASKET, PROPELLER SHAFT OIL SEAL THRUST BEARING COVER POST-SB1227 PRE-SB1377 PRE-SB1490 TWO-WAY INTRCHG WITH P/N 3039954	A B	1
100A	3104393-01		.GASKET-SPLIT, PROPELLER SHAFT OIL SEAL THRUST BEARING COVER POST-SB1377 PRE-SB1490 TWO-WAY INTRCHG WITH P/N 3116679-01	A B	1
- 100B	3039954		.GASKET, PROPELLER SHAFT OIL SEAL THRUST BEARING COVER POST-SB1490	A B	1
- 100C	3116679-01		.GASKET, SPLIT, PROPELLER SHAFT OIL SEAL THRUST BEARING COVER FOR ENGINES BUILT TO BS622, BS624, BS877 POST-SB1490	A B	1
110	3007097		.TUBE, TRANSFER	A B	1
- 120	3001641		.PACKING, PREFORMED INTRCHG WITH P/N MS9388-017	A B	2
120A	MS9388-017		.PACKING, PREFORMED INTRCHG WITH P/N AS3209-017	A B	2
- 120B	AS3209-017		.PACKING, PREFORMED	A B	2
130	3004183		.TUBE, TRANSFER	A B	1
- 140	3004184		.PACKING, PREFORMED INTRCHG WITH P/N MS9388-009	A B	2
140A	MS9388-009		.PACKING, PREFORMED INTRCHG WITH P/N AS3209-009	A B	2
- 140B	AS3209-009		.PACKING, PREFORMED PRE-PT6A SPB NO.53 TWO-WAY INTRCHG WITH P/N ST3367-009	A B	2
- 140B	ST3367-009		.PACKING, PREFORMED 0.208 X 0.070 POST-PT6A SPB NO.53	A B	2
- 150	3003853		.PACKING, PREFORMED INTRCHG WITH P/N MS9388-159	A B	2

CONTINUED

- ITEM NOT ILLUSTRATED

EFF MODEL A PT6A-27 B PT6A-28	EFF MODEL	EFF MODEL
-------------------------------------	-----------	-----------

72-10-00

Figure 2

Page 6

Aug 27/2004

PRATT & WHITNEY CANADA
ILLUSTRATED PARTS CATALOG
MANUAL PART NO. 3013244

FIG. ITEM	PART NUMBER	AIRLINE PART NUMBER	1234567 NOMENCLATURE	EFFECT CODE	UNITS PER ASSY
2					
150A	MS9388-159		.PACKING, PREFORMED INTRCHG WITH P/N AS3209-159	A B	2
- 150B	AS3209-159		.PACKING, PREFORMED	A B	2
160	3007147		.BEARING, BALL, FLANGED, PROPELLER THRUST INTRCHG WITH P/N 3032620	A B	1
- 160A	3032620		.BEARING OPTION (IC) INTRCHG WITH P/N 3032624 (IC) CONSISTS OF:	A B	1
	3007147		..BEARING, BALL, FLANGED		AR
	3028008		..BEARING, BALL, FLANGED		AR
- 160B	3032624		.BEARING OPTION (IC) INTRCHG WITH P/N 3036488 (IC) CONSISTS OF:	A B	1
	3101795-01		..BEARING, BALL, FLANGED		AR
	3102227-01		..BEARING, BALL, FLANGED		AR
- 160C	3036488		.BEARING OPTION (IC) (IC) CONSISTS OF:	A B	1
	3102227-01		..BEARING, BALL, FLANGED		AR
	3109584-01		..BEARING, BALL, FLANGED		AR
170	3004029		.GALLERY, MAIN OIL TRANSFER INTRCHG WITH P/N 3109809-01	A B	1
- 170A	3109809-01		.GALLERY, MAIN OIL TRANSFER	A B	1
- 180	3003029		.PACKING, PREFORMED INTRCHG WITH P/N MS9388-158	A B	2
180A	MS9388-158		.PACKING, PREFORMED INTRCHG WITH P/N AS3209-158	A B	2
- 180B	AS3209-158		.PACKING, PREFORMED	A B	2
- 190	3007184		.HOUSING ASSEMBLY, PROPELLER REDUCTION GEARBOX, FRONT SEE FIG. 5 FOR BREAKDOWN NONINTR WITH P/N 3022947	A B	1
- 190A	3022947		.HOUSING ASSEMBLY, PROPELLER REDUCTION GEARBOX, FRONT SEE FIG. 5 FOR BREAKDOWN POST-SB1229 NONINTR WITH P/N 3028266	A B	1

CONTINUED

- ITEM NOT ILLUSTRATED

EFF MODEL A PT6A-27 B PT6A-28	EFF MODEL	EFF MODEL
-------------------------------------	-----------	-----------

72-10-00
Figure 2
Page 7
Aug 27/2004

PRATT & WHITNEY CANADA
ILLUSTRATED PARTS CATALOG
MANUAL PART NO. 3013244

FIG. ITEM	PART NUMBER	AIRLINE PART NUMBER	NOMENCLATURE	EFFECT CODE	UNITS PER ASSY
2			1234567		
190B	3028266		.HOUSING ASSEMBLY, PROPELLER REDUCTION GEARBOX, FRONT SEE FIG. 5 FOR BREAKDOWN POST-SB1236	A B	1
- 200	3001648		.PACKING, PREFORMED INTRCHG WITH P/N MS9388-277	A B	1
200A	MS9388-277		.PACKING, PREFORMED INTRCHG WITH P/N AS3209-277	A B	1
- 200B	AS3209-277		.PACKING, PREFORMED	A B	1
210	3003974		.TUBE, TRANSFER	A B	2
- 220	3001641		.PACKING, PREFORMED INTRCHG WITH P/N MS9388-017	A B	4
- 220A	MS9388-017		.PACKING, PREFORMED INTRCHG WITH P/N AS3209-017	A B	4
220B	AS3209-017		.PACKING, PREFORMED	A B	4
- 230	3007383		.TUBE, TRANSFER, SPECIAL NONINTR WITH P/N 3003974	A B	1
230A	3003974		.TUBE, TRANSFER POST-SB1229	A B	1
- 240	3003420		.PACKING, PREFORMED INTRCHG WITH P/N MS9388-019	A B	1
- 240A	MS9388-019		.PACKING, PREFORMED USE WITH P/N 3007383 PRE-SB1229 INTRCHG WITH P/N AS3209-019 NONINTR WITH P/N MS9388-017	A B	1
- 240B	MS9388-017		.PACKING, PREFORMED POST-SB1229 INTRCHG WITH P/N AS3209-017 SEE NOTE 2	A B	2
240C	AS3209-017		.PACKING, PREFORMED SEE NOTE 2	A B	2
- 240D	AS3209-019		.PACKING, PREFORMED USE WITH P/N 3007383 PRE-SB1229	A B	1
- 250	3010629		.STRAINER, SLEEVE, SCAVENGE OIL NONINTR WITH P/N 3026758	A B	1
250A	3026758		.STRAINER SLEEVE OPTION (IC) POST-SB1229 (IC) CONSISTS OF:	A B	1
	3023024		..STRAINER SLEEVE, SCAVENGE OIL CONTINUED		AR

- ITEM NOT ILLUSTRATED

EFF MODEL A PT6A-27 B PT6A-28	EFF MODEL	EFF MODEL
-------------------------------------	-----------	-----------

72-10-00
Figure 2
Page 8
Aug 27/2004

PRATT & WHITNEY CANADA
ILLUSTRATED PARTS CATALOG
MANUAL PART NO. 3013244

FIG. ITEM	PART NUMBER	AIRLINE PART NUMBER	1234567 NOMENCLATURE	EFFECT CODE	UNITS PER ASSY
2	3026653		..STRAINER SLEEVE, SCAVENGE OIL PRE-PT6A SPB NO.106		AR
	ST3674-01		..STRAINER SLEEVE, SCAVENGE OIL POST-PT6A SPB NO.106		AR
	3034720		..STRAINER SLEEVE, SCAVENGE OIL		AR
260	MS9193-03		.NIPPLE, STRAIGHT FOR ENGINES BUILT TO BS622, BS624, BS877 POST-SB1227 SEE NOTE 1	A B	1
270	MS9387-03		.PACKING, PREFORMED POST-SB1227 INTRCHG WITH P/N AS3208-03 SEE NOTE 1	A B	1
- 270A	AS3208-03		.PACKING, PREFORMED FOR ENGINES BUILT TO BS622, BS624, BS877 SEE NOTE 1	A B	1
280	MS9314-03		.CAP ASSEMBLY, TUBE FOR ENGINES BUILT TO BS622, BS624, BS877 POST-SB1227	A B	1
- 290	3011298		.HOUSING ASSEMBLY, REDUCTION GEARBOX, REAR SEE FIG. 6 FOR BREAKDOWN NONINTR WITH P/N 3028282	A B	1
290A	3028282		.HOUSING ASSEMBLY, REDUCTION GEARBOX, REAR SEE FIG. 6 FOR BREAKDOWN INTRCHG WITH P/N 3100749-02	A B	1
- 290B	3100749-02		.HOUSING ASSEMBLY, REDUCTION GEARBOX, REAR, SEE FIG. 6 FOR BREAKDOWN INTRCHG WITH P/N 3100749-04	A B	1
- 290C	3100749-04		.HOUSING ASSEMBLY, REDUCTION GEARBOX, REAR SEE FIG. 6 FOR BREAKDOWN PRE-SB1553 TWO-WAY INTRCHG WITH P/N 3044254-01	A B	1
- 290D	3044254-01		HOUSING ASSEMBLY, PROPELLER REDUCTION GEARBOX, REAR SEE FIG. 6 FOR BREAKDOWN POST-SB1553	A B	1

CONTINUED

- ITEM NOT ILLUSTRATED

EFF MODEL A PT6A-27 B PT6A-28	EFF MODEL	EFF MODEL
-------------------------------------	-----------	-----------

72-10-00

Figure 2

Page 9

Aug 27/2004

PRATT & WHITNEY CANADA
ILLUSTRATED PARTS CATALOG
MANUAL PART NO. 3013244

FIG. ITEM	PART NUMBER	AIRLINE PART NUMBER	NOMENCLATURE	EFFECT CODE	UNITS PER ASSY
2			1234567		
			<p><u>NOTE</u> 1: SB1227 IS NOT APPLICABLE TO PT6A-27 ENGINES FITTED TO DH6 SERIES 300 TWIN OTTER</p> <p><u>NOTE</u> 2: 3007383 REQUIRES QTY OF 1 MS9388-017 OR AS3209-017 ONLY (PRE SB1229 CONFIGURATION)</p> <p><u>NOTE</u> 3: PARTS MUST BE FITTED AS SETS</p> <p><u>NOTE</u> 4: PARTS USED FOR FIELD REPAIR ONLY AND MUST BE FITTED AS A SET</p> <p><u>NOTE</u> 5: POST SB1390 PARTS NOT REQUIRED FOR POST SB1377 CONFIGURATION</p>		

- ITEM NOT ILLUSTRATED

EFF MODEL	EFF MODEL	EFF MODEL

72-10-00
Figure 2
Page 10
Aug 27/2004

Gearbox Assembly, Propeller
Reduction - Carrier Set and Prop
Shaft (PT6A-27/-28)

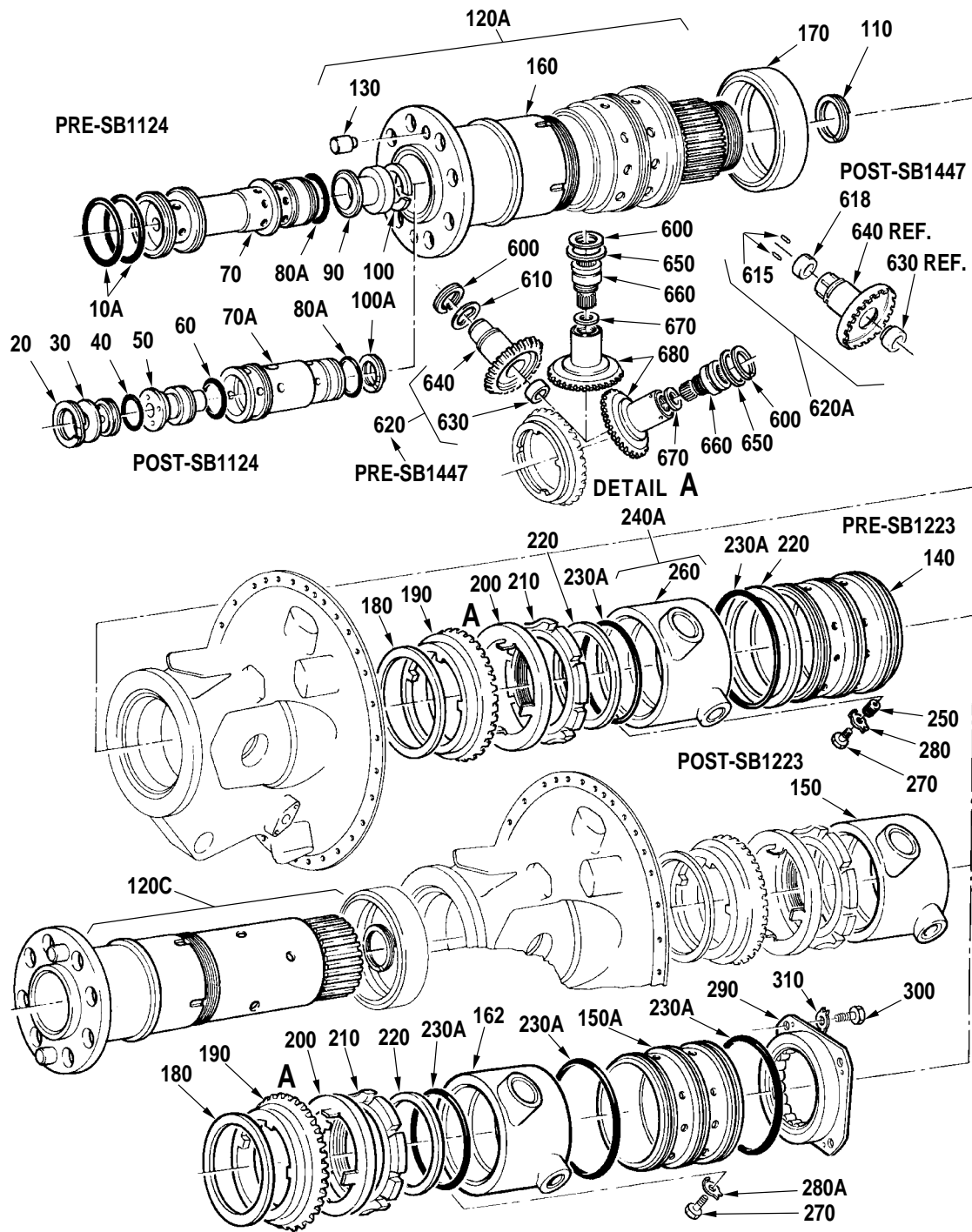
72-10-00

Figure 3

Page 1

Nov 26/2004

PRATT & WHITNEY CANADA
 ILLUSTRATED PARTS CATALOG
 MANUAL PART NO. 3013244



C52024B

Gearbox Assembly, Propeller Reduction - Carrier Set and
 Prop Shaft (PT6A-27/-28)
 Figure 3 (Sheet 1 of 2)

72-10-00

Figure 3

Page 2

Nov 26/2004

PRATT & WHITNEY CANADA
ILLUSTRATED PARTS CATALOG
MANUAL PART NO. 3013244

FIG. ITEM	PART NUMBER	AIRLINE PART NUMBER	1234567 NOMENCLATURE	EFFECT CODE	UNITS PER ASSY
3					
- 1			GEARBOX ASSEMBLY, PROPELLER REDUCTION BREAKDOWN CONT'D FROM FIG. 2	A B	REF
- 10	3004198		.PACKING, PREFORMED INTRCHG WITH P/N MS9388-033	A B	2
10A	MS9388-033		.PACKING, PREFORMED PRE-SB1124 INTRCHG WITH P/N AS3209-033	A B	2
- 10B	AS3209-033		.PACKING, PREFORMED	A B	2
20	3002340		.RING, RETAINING POST-SB1124 INTRCHG WITH P/N AS3217-146	A B	1
20A	AS3217-146		.RING, RETAINING	A B	1
30	3013146		.ADAPTER, PROPELLER SHAFT OIL TRANSFER TUBE POST-SB1124	A B	1
40	MS9388-130		.PACKING, PREFORMED POST-SB1124 INTRCHG WITH P/N AS3209-130	A	1
40A	AS3209-130		.PACKING, PREFORMED	A B	1
50	3013148		.NOZZLE, OIL, NO. 4 BEARING POST-SB1124	A B	1
60	MS9388-033		.PACKING, PREFORMED INTRCHG WITH P/N AS3209-033	A B	1
60A	AS3209-033		.PACKING, PREFORMED	A B	1
70	3004193		.TUBE, PROPELLER SHAFT, OIL TRANSFER PRE-SB1124 NONINTR WITH P/N 3013145	A B	1
70A	3013145		.TUBE, PROPELLER SHAFT, OIL TRANSFER POST-SB1124	A B	1
- 80	3001652		.PACKING, PREFORMED INTRCHG WITH P/N MS9388-028	A B	1
80A	MS9388-028		.PACKING, PREFORMED INTRCHG WITH P/N AS3209-028	A B	1
80B	AS3209-028		.PACKING, PREFORMED	A B	1

CONTINUED

- ITEM NOT ILLUSTRATED

EFF MODEL A PT6A-27 B PT6A-28	EFF MODEL	EFF MODEL
-------------------------------------	-----------	-----------

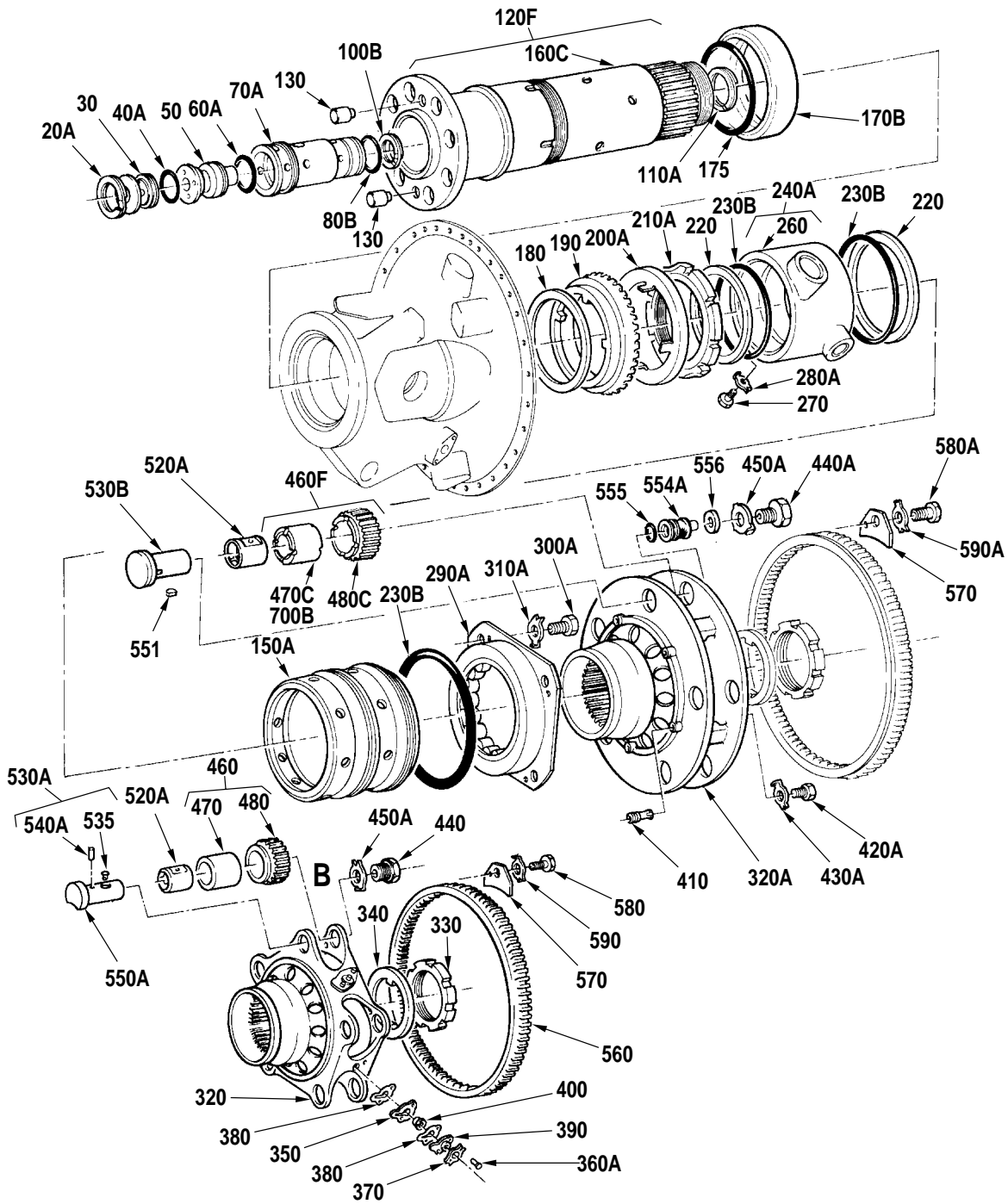
72-10-00

Figure 3

Page 3

Nov 26/2004

PRATT & WHITNEY CANADA
ILLUSTRATED PARTS CATALOG
MANUAL PART NO. 3013244



C52025D

Gearbox Assembly, Propeller Reduction - Carrier Set and
Prop Shaft (PT6A-27/-28)
Figure 3 (Sheet 2 of 2)

72-10-00

Figure 3

Page 4

Nov 26/2004

PRATT & WHITNEY CANADA
ILLUSTRATED PARTS CATALOG
MANUAL PART NO. 3013244

FIG. ITEM	PART NUMBER	AIRLINE PART NUMBER	NOMENCLATURE	EFFECT CODE	UNITS PER ASSY
3			1234567		
90	3011147		.NOZZLE, OIL, POWER TURBINE THRUST BEARING AND COUPLING PRE-SB1124	A B	1
100	3004050		.RING, RETAINING NONINTR WITH P/N 3008370	A B	1
100A	3008370		.RING, RETAINING POST-SB1124 INTRCHG WITH P/N AS3218-130	A B	1
100B	AS3218-130		.RING, RETAINING	A B	1
110	3004034		.RING, RETAINING INTRCHG WITH P/N AS3218-138	A B	1
110A	AS3218-138		.RING, RETAINING	A B	1
- 120	3007730		.SHAFT ASSY, PROPELLER PRE-SB1223 PRE-SB1563 PRE-SB1567 PRE-SB1571 NONINTR WITH P/N 3016925CL TWO-WAY INTRCHG WITH P/N 01R3007730 TWO-WAY INTRCHG WITH P/N 02R3007730 ONE-WAY INTRCHG WITH P/N 03R3007730	A B	1
	01R3007730		.SHAFT ASSY, PROPELLER REWORKED FROM P/N 3007730 POST-SB1563 PRE-SB1567 PRE-SB1571 TWO-WAY INTRCHG WITH P/N 02R3007730 ONE-WAY INTRCHG WITH P/N 04R3007730	A B	RWK
	02R3007730		.SHAFT ASSY, PROPELLER REWORKED FROM P/N 3007730 & 01R3007730 POST-SB1567 PRE-SB1571 ONE-WAY INTRCHG WITH P/N 05R3007730	A B	RWK
	03R3007730		.SHAFT ASSY, PROPELLER REWORKED FROM P/N 3007730 POST-SB1571	A B	RWK

CONTINUED

- ITEM NOT ILLUSTRATED

EFF MODEL A PT6A-27 B PT6A-28	EFF MODEL	EFF MODEL
-------------------------------------	-----------	-----------

PRATT & WHITNEY CANADA
ILLUSTRATED PARTS CATALOG
MANUAL PART NO. 3013244

FIG. ITEM	PART NUMBER	AIRLINE PART NUMBER	NOMENCLATURE	EFFECT CODE	UNITS PER ASSY
			1234567		
3 120A	04R3007730		. SHAFT ASSY, PROPELLER REWORKED FROM P/N 01R3007730 POST-SB1571	A B	RWK
	05R3007730		. SHAFT ASSY, PROPELLER REWORKED FROM P/N 02R3007730 POST-SB1571	A B	RWK
	3016925CL		. SHAFT ASSY, PROPELLER POST-SB1223 PRE-SB1563 PRE-SB1567 PRE-SB1571 INTRCHG WITH P/N 3028746 TWO-WAY INTRCHG WITH P/N 01R3016925 TWO-WAY INTRCHG WITH P/N 02R3016925 ONE-WAY INTRCHG WITH P/N 03R3016925	A B	1
	01R3016925		. SHAFT ASSY, PROPELLER REWORKED FROM P/N 3016925 POST-SB1563 PRE-SB1567 PRE-SB1571 TWO-WAY INTRCHG WITH P/N 02R3016925 ONE-WAY INTRCHG WITH P/N 04R3016925	A B	RWK
	02R3016925		. SHAFT ASSY, PROPELLER REWORKED FROM P/N 3016925 & 01R3016925 POST-SB1567 PRE-SB1571 ONE-WAY INTRCHG WITH P/N 05R3016925	A B	RWK
	03R3016925		. SHAFT ASSY, PROPELLER REWORKED FROM P/N 3016925 POST-SB1571	A B	RWK
	04R3016925		. SHAFT ASSY, PROPELLER REWORKED FROM P/N 01R3016925 POST-SB1571	A B	RWK
	05R3016925		. SHAFT ASSY, PROPELLER REWORKED FROM P/N 02R3016925 POST-SB1571	A B	RWK

CONTINUED

- ITEM NOT ILLUSTRATED

EFF MODEL A PT6A-27 B PT6A-28	EFF MODEL	EFF MODEL
-------------------------------------	-----------	-----------

72-10-00
Figure 3
Page 6
Nov 26/2004

PRATT & WHITNEY CANADA
ILLUSTRATED PARTS CATALOG
MANUAL PART NO. 3013244

FIG. ITEM	PART NUMBER	AIRLINE PART NUMBER	1234567 NOMENCLATURE	EFFECT CODE	UNITS PER ASSY
3 - 120B	3028746		. SHAFT & SLEEVE SET, PROPELLER PRE-SB1223 POST-SB1223 PRE-SB1393 PRE-SB1563 PRE-SB1567 PRE-SB1571 NONINTR WITH P/N 3028816 TWO-WAY INTRCHG WITH P/N 01R3028746 TWO-WAY INTRCHG WITH P/N 02R3028746 ONE-WAY INTRCHG WITH P/N 03R3028746	A B	1
	01R3028746		. SHAFT & SLEEVE SET, PROPELLER REWORKED FROM P/N 3028746 POST-SB1563 PRE-SB1567 PRE-SB1571 TWO-WAY INTRCHG WITH P/N 02R3028746 ONE-WAY INTRCHG WITH P/N 04R3028746	A B	RWK
	02R3028746		. SHAFT & SLEEVE SET, PROPELLER REWORKED FROM P/N 3028746 & 01R3028746 POST-SB1567 PRE-SB1571 ONE-WAY INTRCHG WITH P/N 05R3028746	A B	RWK
	03R3028746		. SHAFT & SLEEVE SET, PROPELLER REWORKED FROM P/N 3028746 POST-SB1571	A B	RWK
	04R3028746		. SHAFT & SLEEVE SET, PROPELLER REWORKED FROM P/N 01R3028746 POST-SB1571	A B	RWK
	05R3028746		. SHAFT & SLEEVE SET, PROPELLER REWORKED FROM P/N 02R3028746 POST-SB1571	A B	RWK

CONTINUED

- ITEM NOT ILLUSTRATED

EFF MODEL A PT6A-27 B PT6A-28	EFF MODEL	EFF MODEL
-------------------------------------	-----------	-----------

72-10-00
Figure 3
Page 7
Nov 26/2004

PRATT & WHITNEY CANADA
ILLUSTRATED PARTS CATALOG
MANUAL PART NO. 3013244

FIG. ITEM	PART NUMBER	AIRLINE PART NUMBER	NOMENCLATURE	EFFECT CODE	UNITS PER ASSY
			1234567		
3					
120C	3028816		. SHAFT & SLEEVE SET, PROPELLER POST-SB1393 PRE-SB1426 PRE-SB1563 PRE-SB1567 PRE-SB1571 TWO-WAY INTRCHG WITH P/N 01R3028816 TWO-WAY INTRCHG WITH P/N 02R3028816 ONE-WAY INTRCHG WITH P/N 03R3028816	A B	REF
	01R3028816		. SHAFT & SLEEVE SET, PROPELLER REWORKED FROM P/N 3028816 POST-SB1563 PRE-SB1567 PRE-SB1571 TWO-WAY INTRCHG WITH P/N 02R3028816 ONE-WAY INTRCHG WITH P/N 04R3028816	A B	RWK
	02R3028816		. SHAFT & SLEEVE SET, PROPELLER REWORKED FROM P/N 3028816 & 01R3028816 POST-SB1567 PRE-SB1571 ONE-WAY INTRCHG WITH P/N 05R3028816	A B	RWK
	03R3028816		. SHAFT & SLEEVE SET, PROPELLER REWORKED FROM P/N 3028816 POST-SB1571	A B	RWK
	04R3028816		. SHAFT & SLEEVE SET, PROPELLER REWORKED FROM P/N 01R3028816 POST-SB1571	A B	RWK
	05R3028816		. SHAFT & SLEEVE SET, PROPELLER REWORKED FROM P/N 02R3028816 POST-SB1571	A B	RWK
- 120D	3109959-01		. SHAFT & SLEEVE SET, PROPELLER SEE NOTE 7 POST-SB1426 PRE-SB1563 PRE-SB1567 INTRCHG WITH P/N 3109959-02 TWO-WAY INTRCHG WITH P/N 01R3109959-01 TWO-WAY INTRCHG WITH P/N 02R3109959-01	A B	REF

CONTINUED

- ITEM NOT ILLUSTRATED

EFF MODEL A PT6A-27 B PT6A-28	EFF MODEL	EFF MODEL
-------------------------------------	-----------	-----------

72-10-00
Figure 3
Page 8
Nov 26/2004

PRATT & WHITNEY CANADA
ILLUSTRATED PARTS CATALOG
MANUAL PART NO. 3013244

FIG. ITEM	PART NUMBER	AIRLINE PART NUMBER	NOMENCLATURE	EFFECT CODE	UNITS PER ASSY	
			1234567			
3	01R3109959-01		.SHAFT & SLEEVE SET, PROPELLER REWORKED FROM P/N 3109959-01 POST-SB1563 PRE-SB1567 TWO-WAY INTRCHG WITH P/N 02R3109959-01	A B	RWK	
	02R3109959-01		.SHAFT & SLEEVE SET, PROPELLER REWORKED FROM P/N 3109959-01 & 01R3109959-01 POST-SB1567	A B	RWK	
	- 120E 3109959-02		.SHAFT & SLEEVE SET, PROPELLER PRE-SB1567R1 TWO-WAY INTRCHG WITH P/N 01R3109959-02 TWO-WAY INTRCHG WITH P/N 3048696-01	A B	REF	
		01R3109959-02		.SHAFT & SLEEVE SET, PROPELLER REWORKED FROM P/N 3109959-02 PRE-SB1567 TWO-WAY INTRCHG WITH P/N 3048696-01	A B	RWK
	120F 3048696-01		.SHAFT & SLEEVE SET, PROPELLER MAY BE OBTAINED BY REWORK OF P/N 3109959-02 OR 01R3109959-02 POST-SB1567 PRE-SB1598 TWO-WAY INTRCHG WITH P/N 3054063-01	A B	REF	
	- 120G 3054063-01		.SHAFT & SLEEVE SET, PROPELLER POST-SB1598	A B	REF	
	130 3003435		..DOWEL, STRAIGHT	A A B	2	
	- 130A DELETED		TRANSFERRED TO ITEM 165			
	140 3011527CL		..SLEEVE, PROPELLER SHAFT COMPONENT OF P/N 3007730 SELECT AT ASSEMBLY	A B	1	
		3011527CL1		..SLEEVE, 2.6502 - 2.6507 ID		AR
		3011527CL2		..SLEEVE, 2.6507 - 2.6512 ID		AR
	- 150 3016923		..SLEEVE HOUSING, PROPELLER OIL TRANSFER COMPONENT OF P/N 3028746 PRE-SB1393 NONINTR WITH P/N 3028815	A B	1	

CONTINUED

- ITEM NOT ILLUSTRATED

EFF MODEL A PT6A-27 B PT6A-28	EFF MODEL	EFF MODEL
-------------------------------------	-----------	-----------

72-10-00

Figure 3

Page 9

Nov 26/2004

PRATT & WHITNEY CANADA
ILLUSTRATED PARTS CATALOG
MANUAL PART NO. 3013244

FIG. ITEM	PART NUMBER	AIRLINE PART NUMBER	1234567 NOMENCLATURE	EFFECT CODE	UNITS PER ASSY
3					
150A	3028815		..SLEEVE, PROPELLER SHAFT OIL TRANSFER COMPONENT OF P/N 3048696-01 AND 3054063-01 POST-SB1393 POST-SB1598	A B	1
160	3003999		..SHAFT, PROPELLER COMPONENT OF P/N 3007730, 3016925CL, 3028746 & 3028816 POST-SB1223 PRE-SB1426 NONINTR WITH P/N 3109952-01	A B	1
- 160A	3109952-01		..SHAFT, PROPELLER COMPONENT OF P/N 3109959-01 SEE NOTE 7 POST-SB1426 INTRCHG WITH P/N 3110277-01	A B	1
- 160B	3110277-01		..SHAFT, PROPELLER COMPONENT OF P/N 3109959-02 PRE-SB1567R1 TWO-WAY INTRCHG WITH P/N 3048695-01	A B	1
160C	3048695-01		..SHAFT, PROPELLER COMPONENT OF P/N 3048696-01 POST-SB1567R1 PRE-SB1598	A B	1
- 160D	3054062-01		..SHAFT ASSEMBLY, PROPELLER COMPONENT OF P/N 3054063-01 POST-SB1598	A B	1
162	3028819		.HOUSING, PROPELLER SHAFT OIL TRANSFER USE WITH P/N 3028816 POST-SB1393	A B	1
- 163	3048695-01		...SHAFT, PROPELLER COMPONENT OF P/N 3054062-01 POST-SB1598	A B	NP
- 165	3003435		...DOWEL, STRAIGHT COMPONENT OF P/N 3054062-01 POST-SB1598	A B	2
170	3012026		.RUNNER, PROPELLER SHAFT OIL SEAL PRE-SB1431 PRE-SB1426 NONINTR WITH P/N 3111841-01 NONINTR WITH P/N 3109951-01	A B	1

CONTINUED

- ITEM NOT ILLUSTRATED

EFF MODEL A PT6A-27 B PT6A-28	EFF MODEL	EFF MODEL
-------------------------------------	-----------	-----------

72-10-00

Figure 3

Page 10

Nov 26/2004

PRATT & WHITNEY CANADA
ILLUSTRATED PARTS CATALOG
MANUAL PART NO. 3013244

FIG. ITEM	PART NUMBER	AIRLINE PART NUMBER	NOMENCLATURE	EFFECT CODE	UNITS PER ASSY
			1234567		
3					
- 170A	3109951-01		.RUNNER, PROPELLER SHAFT OIL SEAL SEE NOTE 7 POST-SB1426 PRE-SB1381 PRE-SB1431 NONINTR WITH P/N 3111230-01	A B	1
170B	3111230-01		.RUNNER, PROPELLER SHAFT OIL SEAL SEE NOTE 6 POST-SB1426 POST-SB1431 PRE-SB1381	A B	1
- 170C	3111841-01		.RUNNER, PROPELLER SHAFT OIL SEAL SEE NOTE 6 PRE-SB1426 POST-SB1431	A B	1
- 170D	DELETED				
- 170E	3114662-01		.RUNNER, PROPELLER SHAFT OIL SEAL SEE NOTE 6 POST-SB1426 POST-SB1431 POST-SB1381	A B	1
175	AS3209-040		.PACKING, PREFORMED USE WITH P/N 3111230-01 AND 3111841-01 POST-SB1431	A B	1
180	3002444		.SPACER, ADJUSTING	A B	1
190	3004035		.GEAR, BEVEL, FRONT ACCESSORY DRIVE	A B	1
200	3009181		.WASHER, KEY NONINTR WITH P/N 3109949-01	A B	1
200A	3109949-01		.WASHER, KEY USE WITH P/N 3109959-01 POST-SB1426 SEE NOTE 7	A B	1
- 200B	DELETED				
210	3004192		.NUT, SPANNER NONINTR WITH P/N 3109950-01	A B	1
210A	3109950-01		.NUT, PLAIN, ROUND USE WITH P/N 3109959-01 POST-SB1426 SEE NOTE 7	A B	1

CONTINUED

- ITEM NOT ILLUSTRATED

EFF MODEL A PT6A-27 B PT6A-28	EFF MODEL	EFF MODEL
-------------------------------------	-----------	-----------

72-10-00

Figure 3

Page 11

Nov 26/2004

PRATT & WHITNEY CANADA
ILLUSTRATED PARTS CATALOG
MANUAL PART NO. 3013244

FIG. ITEM	PART NUMBER	AIRLINE PART NUMBER	NOMENCLATURE	EFFECT CODE	UNITS PER ASSY
			1234567		
3					
- 210B	DELETED				
220	3011528		.RETAINER, PACKING PRE-SB1223	A B	2
- 230	3001579		.PACKING, PREFORMED INTRCHG WITH P/N MS9388-040	A B	3
230A	MS9388-040		.PACKING, PREFORMED USE WITH P/N 3011527 AND 3028819 PRE-SB1223 INTRCHG WITH P/N AS3209-040	A B	3
230B	AS3209-040		.PACKING, PREFORMED POST-SB1393	A B	3
- 240	3011530		.HOUSING ASSEMBLY, OIL TRANSFER LINER PRE-SB1156 PRE-SB1223 INTRCHG WITH P/N 3019681	A B	1
240A	3019681		.HOUSING ASSEMBLY, OIL TRANSFER LINER POST-SB1156 PRE-SB1223	A B	1
250	MS122121		..INSERT, HELICAL COIL	A B	1
260	3019660		..HOUSING, OIL TRANSFER LINER	A B	NP
270	3004187		.BOLT, LOCKING, OIL TRANSFER LINER USE WITH P/N 3011527 AND 3028819 POST-SB1393 PRE-SB1223	A B	1
280	3001539		.WASHER, KEY PRE-SB1223 INTRCHG WITH P/N 3021572	A B	1
280A	3021572		.WASHER, KEY USE WITH P/N 3011527 AND 3028819 PRE-SB1223 POST-SB1393	A B	1
290	3003476		.BEARING, ROLLER, FLANGED INTRCHG WITH P/N 3032615	A B	1
290A	3032615		.BEARING OPTION (IC) (IC) CONSISTS OF:	A B	1
	3003476		..BEARING, ROLLER, FLANGED		AR
	3028007		..BEARING, ROLLER, FLANGED		AR

CONTINUED

- ITEM NOT ILLUSTRATED

EFF MODEL A PT6A-27 B PT6A-28	EFF MODEL	EFF MODEL
-------------------------------------	-----------	-----------

72-10-00

Figure 3

Page 12

Nov 26/2004

PRATT & WHITNEY CANADA
ILLUSTRATED PARTS CATALOG
MANUAL PART NO. 3013244

FIG. ITEM	PART NUMBER	AIRLINE PART NUMBER	NOMENCLATURE	EFFECT CODE	UNITS PER ASSY
3	3102454-01		..BEARING, ROLLER, FLANGED		AR
	3031714		..BEARING, ROLLER, FLANGED		AR
			ATTACHING PARTS		
	300	3012161	.BOLT, MACHINE, HEX INTRCHG WITH P/N MS9519-08	A B	4
	300A	MS9519-08	.BOLT, MACHINE, HEX	A B	4
	310	3001539	.WASHER, KEY INTRCHG WITH P/N 3021572	A B	4
	310A	3021572	.WASHER, KEY POST-SB1281	A B	4
			-----*-----		
	320	3007323	.CARRIER, SECOND-STAGE REDUCTION INTRCHG WITH P/N 3013132	A B	1
	320A	3013132	.CARRIER, SECOND-STAGE REDUCTION POST-SB1124	A B	1
			ATTACHING PARTS		
	330	3007319	.NUT, PLAIN, ROUND	A B	1
	340	3007310	.WASHER, KEY PRE-PT6A SPB NO.72 TWO-WAY INTRCHG WITH P/N 3049871-01	A B	1
	- 340A	3049871-01	.WASHER, KEY POST-PT6A SPB NO.72	A B	1
			-----*-----		
	350	3007333	.NOZZLE, OIL, SECOND-STAGE REDUCTION PRE-SB1124	A B	5
			ATTACHING PARTS		
	- 360	3011949	.BOLT, MACHINE, HEX INTRCHG WITH P/N MS9489-06 INTRCHG WITH P/N MS9518-06	A B	10
	360A	MS9518-06	.BOLT, MACHINE, HEX	A B	10
	- 360B	MS9489-06	.BOLT, MACHINE, HEX	A B	10
370	3007337	.WASHER, KEY, SECOND-STAGE REDUCTION PRE-SB1124	A B	5	
		-----*-----			

CONTINUED

- ITEM NOT ILLUSTRATED

EFF MODEL A PT6A-27 B PT6A-28	EFF MODEL	EFF MODEL
-------------------------------------	-----------	-----------

72-10-00

Figure 3

Page 13

Nov 26/2004

PRATT & WHITNEY CANADA
ILLUSTRATED PARTS CATALOG
MANUAL PART NO. 3013244

FIG. ITEM	PART NUMBER	AIRLINE PART NUMBER	NOMENCLATURE	EFFECT CODE	UNITS PER ASSY
3			1234567		
380	3007336		.GASKET, NOZZLE PRE-SB1124 PRE-SB1490 TWO-WAY INTRCHG WITH P/N 3039935	A B	10
- 380A	3039935		.GASKET, NOZZLE POST-SB1490	A B	10
390	3007335		.COVER, NOZZLE PRE-SB1124	A B	5
400	3007294		.RESTRICTOR, FLUID FLOW PRE-SB1124	A B	5
410	3013143		.NOZZLE, OIL SECOND-STAGE REDUCTION POST-SB1124	A B	5
			ATTACHING PARTS		
- 420	3011949		.BOLT, MACHINE, HEX INTRCHG WITH P/N MS9489-06 INTRCHG WITH P/N MS9518-06	A B	5
420A	MS9518-06		.BOLT, MACHINE, HEX	A B	5
- 420B	MS9489-06		.BOLT, MACHINE, HEX	A B	5
- 430	MS9276-09		.WASHER, KEY, LOCKING INTRCHG WITH P/N ST3010-09	A B	5
430A	ST3010-09		.WASHER, KEY, LOCKING INTRCHG WITH P/N MS9276-09	A B	5
- 430B	MS9276-09		.WASHER, KEY, LOCKING INTRCHG WITH P/N 3016598	A B	5
- 430C	3016598		.WASHER, KEY 0.195 NOM ID PRE-PT6A SPB NO.33 TWO-WAY INTRCHG WITH P/N ST3371-01	A B	5
- 430D	ST3371-01		.WASHER, KEY POST-PT6A SPB NO.33	A B	5
			-----*-----		
440	3004219		.SCREW, PLANET GEAR BOLT PRE-SB1397 NONINTR WITH P/N 3100142-01	A B	5
440A	3100142-01		.SCREW, PLANET GEAR BOLT POST-SB1397	A B	5
- 450	3004596		.WASHER, KEY, SPECIAL INTRCHG WITH P/N 3028453	A B	5

CONTINUED

- ITEM NOT ILLUSTRATED

EFF MODEL A PT6A-27 B PT6A-28	EFF MODEL	EFF MODEL
-------------------------------------	-----------	-----------

72-10-00
Figure 3
Page 14
Nov 26/2004

PRATT & WHITNEY CANADA
ILLUSTRATED PARTS CATALOG
MANUAL PART NO. 3013244

FIG. ITEM	PART NUMBER	AIRLINE PART NUMBER	NOMENCLATURE	EFFECT CODE	UNITS PER ASSY
			1234567		
3	450A	3028453	.WASHER, KEY, SPECIAL POST-SB1248	A B	5
	460	3010092CL	.GEAR ASSY, PLANET, SECOND-STAGE REDUCTION REFER TO P/N 3008012CL FOR GEAR CLASS SIZES SEE NOTE 1 NONINTR WITH P/N 3029450 SELECT AT ASSEMBLY	A B	5
		3010092CL9	.GEAR ASSY		AR
		3010092CL10	.GEAR ASSY		AR
		3010092CL11	.GEAR ASSY		AR
		3010092CL12	.GEAR ASSY		AR
	- 460A	3029450	.GEAR SET, PLANET, SECOND-STAGE REDUCTION REFER TO P/N 3008012CL FOR GEAR CLASS & SIZES SEE NOTE 1 AND 3 POST-SB1258	A B	REF
	- 460B	3027759CL	.GEAR ASSY, PLANET, SECOND-STAGE REDUCTION REFER TO P/N 3008012CL FOR GEAR CLASS SIZES SEE NOTE 1, 3 AND 4 SELECT AT ASSEMBLY	A B	REF
		3027759CL9	.GEAR ASSY		AR
		3027759CL10	.GEAR ASSY		AR
		3027759CL11	.GEAR ASSY		AR
		3027759CL12	.GEAR ASSY		AR
	- 460C	3032259CL	.GEAR ASSY, PLANET, SECOND-STAGE REDUCTION REFER TO P/N 3008012CL FOR GEAR CLASS SIZES SEE NOTE 1 AND 3 POST-SB1338 PRE-SB1404 NONINTR WITH P/N 3032267CL SELECT AT ASSEMBLY	A B	REF
		3032259CL9	.GEAR ASSY		AR
		3032259CL10	.GEAR ASSY		AR
		3032259CL11	.GEAR ASSY		AR
		3032259CL12	.GEAR ASSY		AR

CONTINUED

- ITEM NOT ILLUSTRATED

EFF MODEL A PT6A-27 B PT6A-28	EFF MODEL	EFF MODEL
-------------------------------------	-----------	-----------

72-10-00
Figure 3
Page 15
Nov 26/2004

PRATT & WHITNEY CANADA
ILLUSTRATED PARTS CATALOG
MANUAL PART NO. 3013244

FIG. ITEM	PART NUMBER	AIRLINE PART NUMBER	NOMENCLATURE	EFFECT CODE	UNITS PER ASSY
			1234567		
3					
- 460D	3032267CL		.GEAR ASSY, PLANET, SECOND-STAGE REDUCTION REFER TO P/N 3008012CL FOR GEAR CLASS SIZES SEE NOTE 1 AND 3 POST-SB1404 PRE-SB1554 TWO-WAY INTRCHG WITH P/N 3045840CL SELECT AT ASSEMBLY	A B	REF
	3032267CL9		.GEAR ASSY		AR
	3032267CL10		.GEAR ASSY		AR
	3032267CL11		.GEAR ASSY		AR
	3032267CL12		.GEAR ASSY		AR
- 460E	3035284CL		.GEAR ASSY, PLANET, SECOND-STAGE REDUCTION REWORKED FROM P/N 3032267CL POST-SB1404 SELECT AT ASSEMBLY	A B	RWK
	3035284CL9		.GEAR ASSY		AR
	3035284CL10		.GEAR ASSY		AR
	3035284CL11		.GEAR ASSY		AR
	3035284CL12		.GEAR ASSY		AR
460F	3045840CL		.GEAR ASSY, PLANET, SECOND-STAGE REDUCTION REFER TO P/N 3045839CL FOR GEAR CLASS SIZES SEE NOTE 1 AND 3 POST-SB1554 SELECT AT ASSEMBLY	A B	REF
	3045840CL7		.GEAR ASSY		AR
	3045840CL8		.GEAR ASSY		AR
	3045840CL9		.GEAR ASSY		AR
	3045840CL10		.GEAR ASSY		AR
470	3010093		..BEARING, PLAIN COMPONENT OF P/N 3010092 INTRCHG WITH P/N 3029145	A B	1
- 470A	3029145		..BEARING SET, SLEEVE COMPONENT OF P/N 3029450 POST-SB1258 NONINTR WITH P/N 3029147	A B	1
- 470B	3027758		..BEARING, SLEEVE COMPONENT OF P/N 3027759CL SEE NOTE 4	A B	1

CONTINUED

- ITEM NOT ILLUSTRATED

EFF MODEL A PT6A-27 B PT6A-28	EFF MODEL	EFF MODEL
-------------------------------------	-----------	-----------

72-10-00

Figure 3

Page 16

Nov 26/2004

PRATT & WHITNEY CANADA
ILLUSTRATED PARTS CATALOG
MANUAL PART NO. 3013244

FIG. ITEM	PART NUMBER	AIRLINE PART NUMBER	1234567 NOMENCLATURE	EFFECT CODE	UNITS PER ASSY
3					
470C	*****		..BEARING SLEEVE OPTION (IC) SEE NOTE 5	A B	REF
- 471	3028722		...BEARING, SLEEVE COMPONENT OF P/N 3029145	A B	5
480	3008012CL		..GEAR, PLANET, SECOND-STAGE REDUCTION COMPONENT OF P/N 3010092CL SEE NOTE 1 PRE-SB1258 SELECT AT ASSEMBLY	A B	1
	3008012CL9		..GEAR, 0.1690 - 0.1695 IN.		AR
	3008012CL10		..GEAR, 0.1695 - 0.1700 IN.		AR
	3008012CL11		..GEAR, 0.1700 - 0.1705 IN.		AR
	3008012CL12		..GEAR, 0.1705 - 0.1710 IN.		AR
- 480A	3008012CL		..GEAR, PLANET, SECOND-STAGE REDUCTION COMPONENT OF P/N 3029450 SEE NOTE 1 PRE-SB1258 SELECT AT ASSEMBLY	A B	5
	3008012CL9		..GEAR, 0.1690 - 0.1695 IN.		AR
	3008012CL10		..GEAR, 0.1695 - 0.1700 IN.		AR
	3008012CL11		..GEAR, 0.1700 - 0.1705 IN.		AR
	3008012CL12		..GEAR, 0.1705 - 0.1710 IN.		AR
- 480B	3008012CL		..GEAR, PLANET, SECOND-STAGE REDUCTION COMPONENT OF P/N 3027759CL, 3032259CL & 3032267CL SEE NOTE 1 PRE-SB1554 SELECT AT ASSEMBLY	A B	1
	3008012CL9		..GEAR, 0.1690 - 0.1695 IN.		AR
	3008012CL10		..GEAR, 0.1695 - 0.1700 IN.		AR
	3008012CL11		..GEAR, 0.1700 - 0.1705 IN.		AR
	3008012CL12		..GEAR, 0.1705 - 0.1710 IN.		AR
480C	3045839CL		..GEAR, PLANET, SECOND-STAGE REDUCTION COMPONENT OF P/N 3045840CL SEE NOTE 1 POST-SB1554 SELECT AT ASSEMBLY	A B	1
	3045839CL7		..GEAR, 0.1680 - 0.1685 IN.		AR
	3045839CL8		..GEAR, 0.1685 - 0.1690 IN.		AR

CONTINUED

- ITEM NOT ILLUSTRATED

EFF MODEL A PT6A-27 B PT6A-28	EFF MODEL	EFF MODEL
-------------------------------------	-----------	-----------

72-10-00

Figure 3

Page 17

Nov 26/2004

PRATT & WHITNEY CANADA
ILLUSTRATED PARTS CATALOG
MANUAL PART NO. 3013244

FIG. ITEM	PART NUMBER	AIRLINE PART NUMBER	NOMENCLATURE	EFFECT CODE	UNITS PER ASSY
			1234567		
3	3045839CL9		..GEAR, 0.1690 - 0.1695 IN.		AR
	3045839CL10		..GEAR, 0.1695 - 0.1700 IN.		AR
490	NOT USED				
500	NOT USED				
510	NOT USED				
- 520	3009512		.SHAFT, SECOND-STAGE PLANET GEAR NONINTR WITH P/N 3027567	A B	5
520A	3027567		.SHAFT, SECOND-STAGE PLANET GEAR POST-SB1258 NONINTR WITH P/N 3030890	A B	5
- 520B	3030890		.SHAFT, SECOND-STAGE PLANET GEAR POST-SB1299 NONINTR WITH P/N 3031568	A B	5
- 520C	3031568		.SHAFT, SECOND-STAGE PLANET GEAR POST-SB1332	A B	5
- 530	3009509		.PIN ASSEMBLY, SECOND-STAGE PLANET GEAR NONINTR WITH P/N 3028759	A B	5
530A	3028759		.PIN ASSEMBLY, SECOND-STAGE PLANET GEAR POST-SB1263 PRE-SB1397 NONINTR WITH P/N 3100147-01	A	5
530B	3100147-01		.PIN, SECOND-STAGE PLANET GEAR POST-SB1397	A B	5
535	3028757		..SEPARATOR, OIL COMPONENT OF P/N 3028759 POST-SB1263	A B	1
- 540	AN150240		..PIN, LOCK INTRCHG WITH P/N MS9486-35	A B	1
540A	MS9486-35		..PIN, LOCK COMPONENT OF P/N 3028759	A B	1
- 550	3009508		..PIN, PLANET GEAR COMPONENT OF P/N 3009509	A B	NP
550A	3028758		..PIN, PLANET GEAR COMPONENT OF P/N 3028759	A B	NP
551	MS9841-09		.KEY, WOODRUFF USE WITH P/N 3100147-01 POST-SB1397	A B	5
- 554	3031581		.STRAINER ELEMENT ASSEMBLY, OIL INTRCHG WITH P/N 3032995	A B	5

CONTINUED

- ITEM NOT ILLUSTRATED

EFF MODEL A PT6A-27 B PT6A-28	EFF MODEL	EFF MODEL
-------------------------------------	-----------	-----------

72-10-00

Figure 3

Page 18

Nov 26/2004

PRATT & WHITNEY CANADA
ILLUSTRATED PARTS CATALOG
MANUAL PART NO. 3013244

FIG. ITEM	PART NUMBER	AIRLINE PART NUMBER	1234567 NOMENCLATURE	EFFECT CODE	UNITS PER ASSY
3					
554A	3032995		.STRAINER OPTION (IC) POST-SB1397 (IC) CONSISTS OF:	A B	5
	3031581		..STRAINER, OIL		AR
	3103152-01		..STRAINER, OIL		AR
555	AS3209-011		.PACKING, PREFORMED POST-SB1397	A B	5
556	3100143-01		.SEAL, OIL POST-SB1397	A B	5
560	3007338		.GEAR-RING, SECOND-STAGE REDUCTION	A B	1
			ATTACHING PARTS		
570	3004220		.PLATE, RETAINING	A B	3
580	3012161		.BOLT, MACHINE, HEX INTRCHG WITH P/N MS9519-08	A B	3
580A	MS9519-08		.BOLT, MACHINE HEX	A B	3
590	3001539		.WASHER, KEY INTRCHG WITH P/N 3021572	A B	3
590A	3021572		.WASHER, KEY	A B	3
			-----*-----		
600	3002460		.RING, RETAINING	A B	3
610	3005399		.SPACER, ADJUSTING	A B	1
615	MS9486-04		.PIN, STRAIGHT, HEADLESS, (REWORK PART) USE WITH P/N 3037733 POST-SB1447	A B	2
618	3102469-02		.INSERT, TACHOMETER DRIVE, (REWORK PART) USE WITH P/N 3037733 POST-SB1447	A B	1
620	3008179		.GEARSHAFT ASSEMBLY, BEVEL, ACCESSORY DRIVE PRE-SB1447 INTRCHG WITH P/N 3037733	A B	1
620A	3037733		.GEARSHAFT ASSEMBLY, BEVEL, ACCESSORY DRIVE POST-SB1447 SEE NOTE 6	A B	1

CONTINUED

- ITEM NOT ILLUSTRATED

EFF MODEL A PT6A-27 B PT6A-28	EFF MODEL	EFF MODEL
-------------------------------------	-----------	-----------

72-10-00

Figure 3

Page 19

Nov 26/2004

PRATT & WHITNEY CANADA
ILLUSTRATED PARTS CATALOG
MANUAL PART NO. 3013244

FIG. ITEM	PART NUMBER	AIRLINE PART NUMBER	NOMENCLATURE	EFFECT CODE	UNITS PER ASSY
			1234567		
3					
630	MS9176-15		..PLUG	A B	NP
640	3013880		..GEARSHAFT, BEVEL	A B	NP
650	3002459		.SPACER, ADJUSTING SEE NOTE 2	A B	2
660	3005665		.COUPLING, GOVERNOR DRIVE	A B	2
670	3005666		.RING, RETAINING	A B	2
680	3005664		.GEARSHAFT, BEVEL, PROPELLER AND OVERSPEED GOVERNOR DRIVES SEE NOTE 2	A B	2
- 700	3029147		KITS, REPAIR/SERVICE PARTS KIT, BEARING, SECOND-STAGE PLANET GEAR COMPONENT OF P/N 3029450	A B	1
- 700A	3032198		PARTS KIT, BEARING, SECOND-STAGE PLANET GEAR USE WITH P/N 3032259CL POST-SB1339 NONINTR WITH P/N 3032269	A B	1
700B	3032269		PARTS KIT, SECOND-STAGE PLANET GEAR BEARING USE WITH P/N 3032267CL & 3045840CL PRE-SB1404 NONINTR WITH P/N 3035030	A B	1
- 700C	3035030		PARTS KIT, SECOND-STAGE PLANET GEAR BEARING REQD FOR REWORK OF P/N 3032267CL POST-SB1404	A B	1
- 710	3029730		.BEARING OPTION (IC) COMPONENT OF P/N 3029147 SEE NOTE 5 (IC) CONSISTS OF:	A B	5
	3028474		..BEARING, SLEEVE		REF
	3028722		..BEARING, SLEEVE		REF
- 710A	3032135		.BEARING OPTION (IC) COMPONENT OF P/N 3032198 SEE NOTE 5 (IC) CONSISTS OF:	A B	5
	3100135-06		..BEARING, SLEEVE		REF

CONTINUED

- ITEM NOT ILLUSTRATED

EFF MODEL A PT6A-27 B PT6A-28	EFF MODEL	EFF MODEL
-------------------------------------	-----------	-----------

72-10-00
Figure 3
Page 20
Nov 26/2004

PRATT & WHITNEY CANADA
ILLUSTRATED PARTS CATALOG
MANUAL PART NO. 3013244

FIG. ITEM	PART NUMBER	AIRLINE PART NUMBER	NOMENCLATURE	EFFECT CODE	UNITS PER ASSY
3	3100138-05		1234567 ..BEARING, SLEEVE		REF
	- 710B 3032034		.BEARING OPTION (IC) COMPONENT OF P/N 3032269 SEE NOTE 5 (IC) CONSISTS OF: ..BEARING, SLEEVE	A B	5
- 710C	3100126-06		..BEARING, SLEEVE		REF
	3100131-06		..BEARING, SLEEVE		REF
	3032363		.BEARING OPTION (IC) COMPONENT OF P/N 3035030 SEE NOTE 5 (IC) CONSISTS OF: ..BEARING, SLEEVE	A B	5
	3101984-02 3101985-02		..BEARING, SLEEVE ..BEARING, SLEEVE		REF REF
			NOTE 1: SELECT FIVE OF EQUAL CLASS AT ASSEMBLY, DIMENSIONS REFER TO TOOTH CHORDAL WIDTH		
			NOTE 2: PROPELLER GOVERNOR DRIVE GROUP IS STANDARD EQUIPMENT. OVERSPEED GOVERNOR DRIVE GROUP IS OPTIONAL EQUIPMENT		
			NOTE 3: GEAR ASSEMBLIES AND SETS ARE NOT PROCURABLE, DETAIL PARTS CAN BE ORDERED INDIVIDUALLY, SEE NOTE 5		
			NOTE 4: FITTED TO A LIMITED NUMBER OF ENGINES		
			NOTE 5: BEARINGS MUST BE FITTED IN SETS OF FIVE AND NOT MIXED WITH OTHERS IDENTIFIED DIFFERENTLY, THEY MUST BE PROCURED USING THE BEARING PARTS KIT P/N		
			NOTE 6: OBTAINED BY REWORK AND REIDENTIFICATION		
			NOTE 7: PART NUMBERS AS INDICATED BELOW MUST BE INTRODUCED AS A SET; 3109952-01, 3109951-01, 3109950-01 AND 3109949-01		

- ITEM NOT ILLUSTRATED

EFF MODEL A PT6A-27 B PT6A-28	EFF MODEL	EFF MODEL
-------------------------------------	-----------	-----------

72-10-00

Figure 3

Page 21/22

Nov 26/2004

Gearbox Assembly, Propeller -
Carrier Balancing Assembly
(PT6A-27/-28)

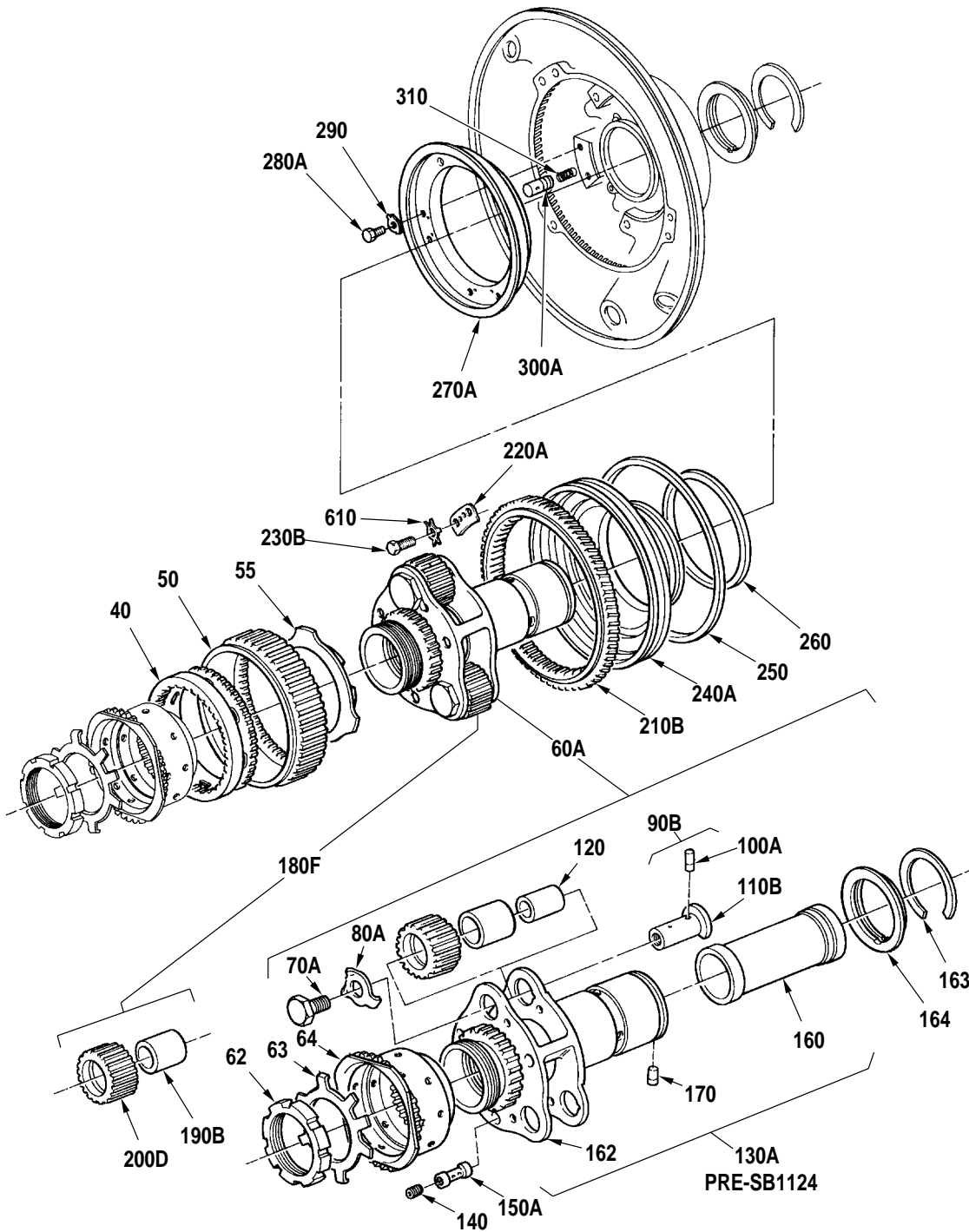
72-10-00

Figure 4

Page 1

Aug 27/2004

PRATT & WHITNEY CANADA
 ILLUSTRATED PARTS CATALOG
 MANUAL PART NO. 3013244



C52026B

Gearbox Assembly, Propeller - Carrier Balancing
 Assembly (PT6A-27/-28)
 Figure 4 (Sheet 1 of 2)

72-10-00

Figure 4

Page 2

Aug 27/2004

PRATT & WHITNEY CANADA
ILLUSTRATED PARTS CATALOG
MANUAL PART NO. 3013244

FIG. ITEM	PART NUMBER	AIRLINE PART NUMBER	1234567 NOMENCLATURE	EFFECT CODE	UNITS PER ASSY
4					
- 1			GEARBOX ASSEMBLY, PROPELLER REDUCTION BREAKDOWN CONT'D FROM FIG. 3	A B	REF
- 10	3006391		.NUT, SPINNER TRANSFERRED TO FORM PART OF BALANCING ASSEMBLY P/N 3029354 PRE-SB1124	A	REF
- 20	3006380		.WASHER, KEY, TRANSFERRED TO FORM PART OF BALANCING ASSEMBLY P/N 3029354 PRE-SB1124	A B	REF
- 30	3006363		.ADAPTER, SPLINED, TRANSFERRED TO FORM PART OF BALANCING ASSEMBLY P/N 3029354 PRE-SB1124	A B	REF
40	3006381		.COUPLING, FLEXIBLE, SECOND-STAGE REDUCTION PRE-SB1124	A B	1
50	3007550		.GEAR, SUN, SECOND-STAGE REDUCTION PRE-SB1124	A B	1
55	3007020		.SPACER, SUN GEAR PRE-SB1124	A B	1
- 60	3008041		.CARRIER BALANCING ASSEMBLY, FIRST-STAGE REDUCTION PRE-SB1124 INTRCHG WITH P/N 3029354	A B	REF
60A	3029354		.CARRIER BALANCING ASSEMBLY, FIRST-STAGE REDUCTION	A B	REF
62	3006391		..NUT, PLAIN, ROUND, SPANNER PRE-SB1124	A B	1
63	3006380		..WASHER, KEY PRE-SB1124	A B	1
64	3006363		..ADAPTER, SPLINE PRE-SB1124	A B	1
- 70	3004219		..SCREW, PLANET GEAR BOLT	A B	3
70A	3027576CL1		..SCREW, PLANET GEAR BOLT 1.082 - 1.227 OZ POST-SB1241	A B	3
- 70B	3027576CL2		..SCREW, PLANET GEAR BOLT 1.249 - 1.394 OZ POST-SB1241	A B	AR

CONTINUED

- ITEM NOT ILLUSTRATED

EFF MODEL A PT6A-27 B PT6A-28	EFF MODEL	EFF MODEL
-------------------------------------	-----------	-----------

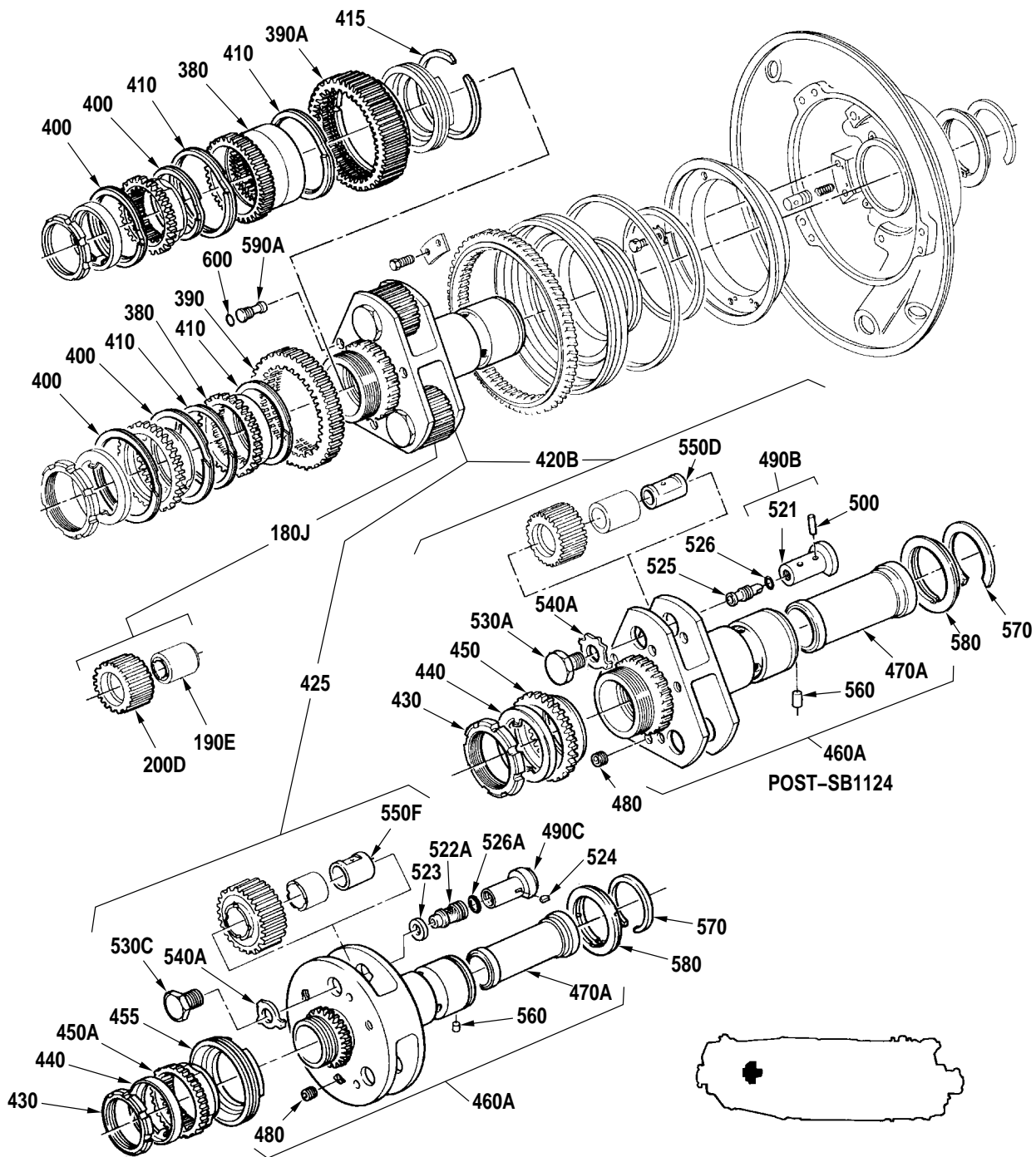
72-10-00

Figure 4

Page 3

Aug 27/2004

PRATT & WHITNEY CANADA
 ILLUSTRATED PARTS CATALOG
 MANUAL PART NO. 3013244



C52027D

Gearbox Assembly, Propeller - Carrier Balancing
 Assembly (PT6A-27/-28)
 Figure 4 (Sheet 2 of 2)

72-10-00

Figure 4

Page 4

Aug 27/2004

PRATT & WHITNEY CANADA
ILLUSTRATED PARTS CATALOG
MANUAL PART NO. 3013244

FIG. ITEM	PART NUMBER	AIRLINE PART NUMBER	NOMENCLATURE	EFFECT CODE	UNITS PER ASSY
			1234567		
4					
- 80	3004596		..WASHER, KEY, SPECIAL INTRCHG WITH P/N 3028453	A B	3
80A	3028453		..WASHER, KEY, SPECIAL	A B	3
- 90	3009507		..PIN ASSEMBLY, FIRST-STAGE PLANET GEAR NONINTR WITH P/N 3013139	A B	3
- 90A	3013139		..PIN ASSEMBLY, FIRST-STAGE PLANET GEAR INTRCHG WITH P/N 3027581CL	A B	3
90B	3027581CL1		..PIN ASSEMBLY, FIRST-STAGE PLANET GEAR 2.940 - 3.146 OZ POST-SB1241	A B	3
- 90C	3027581CL2		..PIN ASSEMBLY, FIRST-STAGE PLANET GEAR 3.147 - 3.353 OZ POST-SB1241	A B	AR
- 100	AN150240		...PIN, LOCK INTRCHG WITH P/N MS9486-35	A B	1
100A	MS9486-35		...PIN, LOCK	A B	1
- 110	3009506		...PIN, FIRST-STAGE PLANET GEAR COMPONENT OF P/N 3009507	A B	NP
- 110A	3013138		...PIN, FIRST-STAGE PLANET GEAR COMPONENT OF P/N 3013139	A B	NP
110B	3027578		...PIN, FIRST-STAGE PLANET GEAR (CLASS MARK AS FOR NHA) COMPONENT OF P/N 3027581	A B	NP
120	3009511		..SHAFT, FIRST-STAGE PLANET GEAR PRE-SB1193 INTRCHG WITH P/N 3027889CL	A B	3
- 120A	3027889CL1		..SHAFT, FIRST-STAGE PLANET GEAR PRE-SB1241 SEE NOTE 5	A B	3
- 120B	3027889CL2		..SHAFT, FIRST-STAGE PLANET GEAR 1.921 - 1.965 OZ POST-SB1241 SEE NOTE 6	A B	AR
- 130	3007357		..CARRIER ASSEMBLY, FIRST-STAGE PLANET GEAR NONINTR WITH P/N 3024676	A B	1

CONTINUED

- ITEM NOT ILLUSTRATED

EFF MODEL A PT6A-27 B PT6A-28	EFF MODEL	EFF MODEL
-------------------------------------	-----------	-----------

72-10-00

Figure 4

Page 5

Aug 27/2004

PRATT & WHITNEY CANADA
ILLUSTRATED PARTS CATALOG
MANUAL PART NO. 3013244

FIG. ITEM	PART NUMBER	AIRLINE PART NUMBER	NOMENCLATURE	EFFECT CODE	UNITS PER ASSY
			1234567		
4					
130A	3024676		..CARRIER ASSEMBLY, FIRST-STAGE PLANET GEAR POST-SB1193 SEE NOTE 1	A B	1
140	3004235		...PLUG, BLANKING	A B	3
- 150	3006357		...RESTRICTOR, OIL FLOW USE WITH P/N 3007357 NONINTR WITH P/N 3024675	A B	3
150A	3024675		...RESTRICTOR, OIL, FIRST-STAGE REDUCTION USE WITH P/N 3024676 POST-SB1119	A B	3
160	3004587		...SLEEVE, FIRST-STAGE CARRIER	A B	1
162	3007358		...CARRIER, FIRST-STAGE PLANET GEAR PRE-SB1124	A B	NP
163	3004589		..RING, RETAINING	A	1
164	3004586		..WASHER, THRUST, FIRST-STAGE CARRIER	A B	1
170	3004588		..DOWEL, STRAIGHT	A B	1
- 180	3009106		.GEAR SET, PLANET, FIRST-STAGE REDUCTION SET (CONSISTS OF THREE MATCHED GEARS) NONINTR WITH P/N 3013431 (IC) CONSISTS OF:	A B	1
- 180A	3013431		.GEAR SET, PLANET, FIRST-STAGE REDUCTION POST-SB1085 INTRCHG WITH P/N 3016756	A B	1
- 180B	3016756		.GEAR SET, PLANET, FIRST-STAGE REDUCTION POST-SB1128 INTRCHG WITH P/N 3024273	A B	1
- 180C	3024273		.GEAR SET, PLANET, FIRST-STAGE REDUCTION INTRCHG WITH P/N 3027775	A B	1
- 180D	3027775		.GEAR SET, PLANET, FIRST-STAGE REDUCTION INTRCHG WITH P/N 3022438	A B	1

CONTINUED

- ITEM NOT ILLUSTRATED

EFF MODEL A PT6A-27 B PT6A-28	EFF MODEL	EFF MODEL
-------------------------------------	-----------	-----------

72-10-00

Figure 4

Page 6

Aug 27/2004

PRATT & WHITNEY CANADA
ILLUSTRATED PARTS CATALOG
MANUAL PART NO. 3013244

FIG. ITEM	PART NUMBER	AIRLINE PART NUMBER	NOMENCLATURE	EFFECT CODE	UNITS PER ASSY
			1234567		
4					
- 180E	3022438		.GEAR SET, PLANET, FIRST-STAGE REDUCTION POST-SB1193 INTRCHG WITH P/N 3024473	A B	1
180F	3024473		.GEAR SET, PLANET, FIRST-STAGE REDUCTION POST-SB1237 NONINTR WITH P/N 3029664	A B	1
- 180G	3029664		.GEAR SET, PLANET, FIRST-STAGE REDUCTION MAY BE OBTAINED BY REWORK OF P/N 3024473 OR 3027771 OR 3028724 (WITH PART KIT P/N 3029669) POST-SB1259	A B	1
- 180H	3101532-01		.GEAR SET, PLANET, FIRST-STAGE REDUCTION MAY BE OBTAINED BY REWORK OF P/N 3029664 (WITH PART KIT P/N 3032197) POST-SB1338 PRE-SB1404 TWO-WAY INTRCHG WITH P/N 3101525-01	A B	1
180J	3101525-01		.GEAR SET, PLANET, FIRST-STAGE REDUCTION POST-SB1404 PRE-SB1418 INTRCHG WITH P/N 3035287 NONINTR WITH P/N 3101455-01	A B	1
	3035287		.GEAR SET, PLANET, FIRST-STAGE REDUCTION REWORKED FROM P/N 3101525-01 (OBTAINED BY INSTALLATION OF PART KIT P/N 3035031) POST-SB1404	A B	RWK
- 180K	3029676		.GEAR SET, PLANET, FIRST-STAGE REDUCTION MAY BE OBTAINED BY REWORK OF P/N 3022438 OR 3024273 (WITH PART KIT P/N 3029669) POST-SB1259 SEE NOTE 3	A B	1

CONTINUED

- ITEM NOT ILLUSTRATED

EFF MODEL A PT6A-27 B PT6A-28	EFF MODEL	EFF MODEL
-------------------------------------	-----------	-----------

72-10-00
Figure 4
Page 7
Aug 27/2004

PRATT & WHITNEY CANADA
ILLUSTRATED PARTS CATALOG
MANUAL PART NO. 3013244

FIG. ITEM	PART NUMBER	AIRLINE PART NUMBER	NOMENCLATURE	EFFECT CODE	UNITS PER ASSY
			1234567		
4					
- 180L	3101455-01		.GEAR SET, PLANET, FIRST-STAGE REDUCTION MAY BE OBTAINED BY REWORK OF P/N 3101525-01 (WITH PART KIT P/N 3035020) POST-SB1418 INTRCHG WITH P/N 3101455-02	A	1
- 180M	3101455-02		.GEAR SET, PLANET, FIRST-STAGE REDUCTION	A B	1
- 190	3010094		..BEARING, SLEEVE COMPONENT OF P/N 3009106, 3013431 AND 3016756 NONINTR WITH P/N 3027760	A B	3
- 190A	3027760		..BEARING, SLEEVE COMPONENT OF P/N 3027775 NONINTR WITH P/N 3022447	A B	3
190B	3022447		..BEARING, SLEEVE 1.0405 ID X 1.608 OD COMPONENT OF P/N 3022438, 3024273 AND 3024473 POST-SB1193 NONINTR WITH P/N 3029669	A	3
- 190C	3029669		..KIT-BEARING, FIRST-STAGE PLANET GEAR (CONTAINS THREE BEARING) COMPONENT OF P/N 3029664 OR 3029676 POST-SB1259 (IC) CONSISTS OF:	A	1
	3022447		...BEARING-SLEEVE	A	AR
	3028473		...BEARING-SLEEVE	A	AR
- 190D	3032197		..PARTS KIT, BEARING, FIRST-STAGE PLANET GEAR (CONTAINS THREE BEARINGS) COMPONENT OF P/N 3101532-01 POST-SB1338 (IC) CONSISTS OF:	A B	1
	3100135-05		...BEARING-SLEEVE	A B	AR
	3100138-04		...BEARING-SLEEVE NONINTR WITH P/N 3032268	A B	AR
190E	3032268		..PARTS KIT-BEARING, FIRST-STAGE PLANET GEAR (CONTAINS THREE BEARING) COMPONENT OF P/N 3101525-01 PRE-SB1404 (IC) CONSISTS OF:	A B	1

CONTINUED

- ITEM NOT ILLUSTRATED

EFF MODEL A PT6A-27 B PT6A-28	EFF MODEL	EFF MODEL
-------------------------------------	-----------	-----------

72-10-00

Figure 4

Page 8

Aug 27/2004

PRATT & WHITNEY CANADA
ILLUSTRATED PARTS CATALOG
MANUAL PART NO. 3013244

FIG. ITEM	PART NUMBER	AIRLINE PART NUMBER	1234567 NOMENCLATURE	EFFECT CODE	UNITS PER ASSY
4	3100126-05		...BEARING-SLEEVE	A B	AR
	3100131-05		...BEARING-SLEEVE NONINTR WITH P/N 3032281	A B	AR
	- 190F 3035031		..PARTS KIT-BEARING, FIRST-STAGE PLANET GEAR, (CONTAINS THREE BEARINGS) POST-SB1404 SEE NOTE 4 (IC) CONSISTS OF:	A B	1
	3101984-01		...BEARING	A B	AR
	3101985-01		...BEARING	A B	AR
	- 190G 3032281		..PARTS KIT-BEARING, FIRST-STAGE PLANET GEAR, (CONTAINS THREE BEARINGS) PRE-SB1404 (IC) CONSISTS OF:	A B	NP
	3100126-03		...BEARING	A B	AR
	3100131-03		...BEARING NONINTR WITH P/N 3035020	A B	AR
	- 190H 3035020		..PARTS KIT, BEARING, FIRST- STAGE PLANET GEAR, (CONTAINS THREE BEARINGS) POST-SB1404 POST-SB1418 (IC) CONSISTS OF:	A B	1
	3101984-03		...BEARING	A B	AR
	3101985-03		...BEARING	A B	AR
	- 200 3009105		..GEAR, PLANET, FIRST-STAGE REDUCTION COMPONENT OF P/N 3009106	A B	NP
	- 200A 3013430		..GEAR, PLANET, FIRST-STAGE REDUCTION COMPONENT OF P/N 3013431	A B	NP
	- 200B 3016755		..GEAR, PLANET, FIRST-STAGE REDUCTION COMPONENT OF P/N 3016756 AND 3024273	A B	NP

CONTINUED

- ITEM NOT ILLUSTRATED

EFF MODEL A PT6A-27 B PT6A-28	EFF MODEL	EFF MODEL
-------------------------------------	-----------	-----------

72-10-00
Figure 4
Page 9
Aug 27/2004

PRATT & WHITNEY CANADA
ILLUSTRATED PARTS CATALOG
MANUAL PART NO. 3013244

FIG. ITEM	PART NUMBER	AIRLINE PART NUMBER	NOMENCLATURE	EFFECT CODE	UNITS PER ASSY
			1234567		
4					
- 200C	3023549		..GEAR, PLANET, FIRST-STAGE REDUCTION COMPONENT OF P/N 3027775 AND 3022438	A B	NP
200D	3024471		..GEAR, PLANET, FIRST-STAGE REDUCTION COMPONENT OF P/N 3024473, 3029664, 3101532-01 AND 3101525-01 NONINTR WITH P/N 3030387	A B	NP
- 200E	3030387		..GEAR, PLANET, FIRST-STAGE REDUCTION COMPONENT OF P/N 3101455-01	A B	NP
- 210	3007307		.GEAR, RING, FIRST-STAGE REDUCTION NONINTR WITH P/N 3011116	A B	1
- 210A	3011116		.GEAR, RING, FIRST-STAGE REDUCTION POST-SB1085 INTRCHG WITH P/N 3023677	A B	1
210B	3023677		.GEAR, RING, FIRST-STAGE REDUCTION INTRCHG WITH P/N 3031266	A B	1
- 210C	3031266		.GEAR, RING, FIRST-STAGE REDUCTION PRE-SB1599 PRE-SB1606 INTRCHG WITH P/N 3037303	A B	1
- 210D	3037303		.GEAR, RING, FIRST-STAGE REDUCTION POST-SB1599 POST-SB1606	A B	1
- 220	3004238		.PLATE RETAINING, FIRST-STAGE RING GEAR NONINTR WITH P/N 3022850	A B	3
220A	3022850		.PLATE RETAINING, FIRST-STAGE RING GEAR	A B	3
- 230	3012165		..BOLT, MACHINE, DRD, HEX 0.250-28J X 0.625 USE WITH P/N 3004238 INTRCHG WITH P/N MS9530-08	A B	6
- 230A	MS9530-08		..BOLT, MACHINE, DRD, HEX 0.250-28J X 0.625 USE WITH P/N 3004238 NONINTR WITH P/N MS9519-08	A B	6

CONTINUED

- ITEM NOT ILLUSTRATED

EFF MODEL A PT6A-27 B PT6A-28	EFF MODEL	EFF MODEL
-------------------------------------	-----------	-----------

72-10-00
Figure 4
Page 10
Aug 27/2004

PRATT & WHITNEY CANADA
ILLUSTRATED PARTS CATALOG
MANUAL PART NO. 3013244

FIG. ITEM	PART NUMBER	AIRLINE PART NUMBER	1234567 NOMENCLATURE	EFFECT CODE	UNITS PER ASSY
4					
230B	MS9519-08		.BOLT, MACHINE, HEX 0.250-28J X 0.625 USE WITH P/N 3021572 AND 3022850	A B	6
- 240	3012458		.PISTON, TORQUEMETER INTRCHG WITH P/N 3022273	A B	1
240A	3022273		.PISTON, TORQUEMETER POST-SB1254 INTRCHG WITH P/N 3100173-01	A B	1
- 240B	3100173-01		.PISTON, TORQUEMETER POST-SB1318	A B	1
250	3012457		.SEAL, RING, NON-METALLIC	A B	1
260	3012456		.SEAL, RING, NON-METALLIC	A B	1
- 270	3012459		.CYLINDER, TORQUEMETER INTRCHG WITH P/N 3018869	A B	1
270A	3018869		.CYLINDER, TORQUEMETER POST-SB1133	A B	1
			ATTACHING PARTS		
- 280	3011949		.BOLT, MACHINE, HEX INTRCHG WITH P/N MS9518-06 INTRCHG WITH P/N MS9489-06	A B	8
280A	MS9518-06		.BOLT, MACHINE, HEX	A B	8
- 280B	MS9489-06		.BOLT, MACHINE, HEX	A B	8
290	3001538		.WASHER, TAB INTRCHG WITH P/N 3016598	A B	8
- 290A	3016598		.WASHER, KEY PRE-PT6A SPB NO.33 TWO-WAY INTRCHG WITH P/N ST3371-01	A B	5
- 290B	ST3371-01		.WASHER, KEY POST-PT6A SPB NO.33 -----*-----	A B	5
- 300	3012322		.VALVE, TORQUEMETER INTRCHG WITH P/N 3012347	A B	1
300A	3012347		.VALVE, TORQUEMETER	A B	1
310	3004244		.SPRING, TORQUEMETER VALVE	A B	1

CONTINUED

- ITEM NOT ILLUSTRATED

EFF MODEL A PT6A-27 B PT6A-28	EFF MODEL	EFF MODEL
-------------------------------------	-----------	-----------

PRATT & WHITNEY CANADA
ILLUSTRATED PARTS CATALOG
MANUAL PART NO. 3013244

FIG. ITEM	PART NUMBER	AIRLINE PART NUMBER	NOMENCLATURE	EFFECT CODE	UNITS PER ASSY
			1234567		
4					
- 320	3004588		.DOWEL, STRAIGHT (TRANSFERRED TO FORM PART OF BALANCING ASSEMBLY P/N 3022515 OR 3029354) (REF SB1241)	A B	REF
- 330	3004589		.RING, RETAINING (TRANSFERRED TO FORM PART OF BALANCING ASSEMBLY P/N 3022515) (REF SB1241)	A B	REF
- 340	3004586		.WASHER, THRUST, FIRST-STAGE CARRIER (TRANSFERRED TO FORM PART OF BALANCING ASSEMBLY P/N 3022515 OR 3029354) (REF SB1241)	A B	REF
- 350	3012287		.NUT, PLAIN, ROUND (TRANSFERRED TO FORM PART OF BALANCING ASSEMBLY) (P/N 3022515 REF SB1241) POST-SB1124 PRE-SB1484 TWO-WAY INTRCHG WITH P/N 3102546-01	A B	REF
- 350A	3102546-01		.NUT, PLAIN, ROUND MAY BE OBTAINED BY REWORK OF P/N 3012287 POST-SB1484	A B	REF
- 360	3012333		.WASHER, KEY (TRANSFERRED TO FORM PART OF BALANCING ASSEMBLY P/N 3022515) (REF SB1241) POST-SB1124	A B	REF
- 370	DELETED				
380	3012286		.COUPLING, FLEXIBLE, SECOND- STAGE REDUCTION POST-SB1124	A B	1
390	3012285		.GEAR, SUN, SECOND-STAGE REDUCTION POST-SB1124	A B	1
390A	3023250		.GEAR, SUN, SECOND-STAGE REDUCTION POST-SB1367	A B	1
400	3012107		.RING, RETAINING POST-SB1124 INTRCHG WITH P/N AS3217-188	A B	2
- 400A	AS3217-188		.RING, RETAINING	A B	2

CONTINUED

- ITEM NOT ILLUSTRATED

EFF MODEL A PT6A-27 B PT6A-28	EFF MODEL	EFF MODEL
-------------------------------------	-----------	-----------

72-10-00
Figure 4
Page 12
Aug 27/2004

PRATT & WHITNEY CANADA
ILLUSTRATED PARTS CATALOG
MANUAL PART NO. 3013244

FIG. ITEM	PART NUMBER	AIRLINE PART NUMBER	NOMENCLATURE	EFFECT CODE	UNITS PER ASSY
4			1234567		
410	3010045		.RING, RETAINING POST-SB1124 INTRCHG WITH P/N AS3217-174	A B	2
- 410A	AS3217-174		.RING, RETAINING	A B	2
- 415	3023253		.RING, RETAINING USE WITH P/N 3105160-01 AND 3100149-04	A B	1
- 420	3013129		.CARRIER BALANCING ASSEMBLY, FIRST-STAGE REDUCTION POST-SB1124 NONINTR WITH P/N 3022515	A B	REF
- 420A	3022515		.CARRIER BALANCING ASSEMBLY, FIRST-STAGE REDUCTION POST-SB1124 INTRCHG WITH P/N 3028862	A B	REF
420B	3028862		.CARRIER BALANCING ASSEMBLY, FIRST-STAGE REDUCTION POST-SB1261 INTRCHG WITH P/N 3101605-01	A B	REF
- 420C	3101605-01		.CARRIER BALANCING ASSEMBLY, FIRST-STAGE REDUCTION POST-SB1331 PRE-SB1397 NONINTR WITH P/N 3105160-01 NONINTR WITH P/N 3100149-02	A B	REF
- 420D	3105160-01		.CARRIER BALANCING ASSEMBLY, FIRST-STAGE REDUCTION	A B	REF
- 420E	3100149-02		.CARRIER BALANCING ASSEMBLY, FIRST-STAGE REDUCTION POST-SB1397 NONINTR WITH P/N 3100149-04	A B	REF
- 420F	3100149-04		.CARRIER BALANCING ASSEMBLY, FIRST-STAGE REDUCTION PRE-SB1418 PRE-SB1599 PRE-SB1606 NONINTR WITH P/N 3106255-01	A B	REF
- 420G	3100149-05		.CARRIER BALANCING ASSEMBLY, FIRST-STAGE REDUCTION POST-SB1599	A B	REF
- 420H	3100149-06		.CARRIER BALANCING ASSEMBLY, FIRST-STAGE REDUCTION POST-SB1606	A B	REF

CONTINUED

- ITEM NOT ILLUSTRATED

EFF MODEL A PT6A-27 B PT6A-28	EFF MODEL	EFF MODEL
-------------------------------------	-----------	-----------

72-10-00
Figure 4
Page 13
Aug 27/2004

PRATT & WHITNEY CANADA
ILLUSTRATED PARTS CATALOG
MANUAL PART NO. 3013244

FIG. ITEM	PART NUMBER	AIRLINE PART NUMBER	NOMENCLATURE	EFFECT CODE	UNITS PER ASSY
			1234567		
4					
425	3106255-01		. CARRIER BALANCING ASSEMBLY, FIRST-STAGE REDUCTION POST-SB1418 PRE-SB1484 TWO-WAY INTRCHG WITH P/N 3106255-04	A B	REF
- 425A	3106255-04		. CARRIER BALANCING ASSEMBLY FIRST-STAGE REDUCTION POST-SB1484 PRE-SB1534 TWO-WAY INTRCHG WITH P/N 3106255-06	A B	REF
- 425B	3106255-06		. CARRIER BALANCING ASSEMBLY FIRST-STAGE REDUCTION POST-SB1534	A B	REF
430	3012287		.. NUT, PLAIN, ROUND POST-SB1124 POST-SB1241 PRE-SB1484 PRE-SB1606 TWO-WAY INTRCHG WITH P/N 3102546-01	A B	1
- 430A	3102546-01		.. NUT, PLAIN, ROUND MAY BE OBTAINED BY REWORK OF P/N 3012287 POST-SB1484 POST-SB1606	A B	1
440	3012333		.. WASHER, KEY POST-SB1124 POST-SB1241	A	1
450	3013141		.. ADAPTER, SPLINE, FIRST-STAGE CARRIER COMPONENT OF P/N 3022515 , 3028862, 3101605-01 AND 3100149-02 POST-SB1124 POST-SB1241 NONINTR WITH P/N 3023252	A B	1
- 450A	3023252		.. ADAPTER, SPLINE, FIRST-STAGE CARRIER COMPONENT OF P/N 3105160-01 AND 3100149-04 POST-SB1367 SEE NOTE 7	A B	1
455	3023254		.. STOP, SECOND-STAGE, SUNGEAR COMPONENT OF P/N 3105160-01 AND 3100149-04 POST-SB1367	A B	1

CONTINUED

- ITEM NOT ILLUSTRATED

EFF MODEL A PT6A-27 B PT6A-28	EFF MODEL	EFF MODEL
-------------------------------------	-----------	-----------

72-10-00

Figure 4

Page 14

Aug 27/2004

PRATT & WHITNEY CANADA
ILLUSTRATED PARTS CATALOG
MANUAL PART NO. 3013244

FIG. ITEM	PART NUMBER	AIRLINE PART NUMBER	NOMENCLATURE	EFFECT CODE	UNITS PER ASSY
			1234567		
4					
- 455A	3104345-01		..STOP, SECOND-STAGE, SUNGEAR USE WITH P/N 3020695 OR 3022544 COMPONENT OF P/N 3013129 AND 3022515 POST-SB1367	A B	1
- 460	3013292		..CARRIER ASSEMBLY, FIRST-STAGE REDUCTION COMPONENT OF P/N 3013129 POST-SB1124 NONINTR WITH P/N 3022514	A B	1
460A	3022514		..CARRIER ASSEMBLY, FIRST-STAGE REDUCTION COMPONENT OF P/N 3022515, 3028862, 3101605-01, 3105160-01, 3100149-02 AND 3100149-04 POST-SB1193 PRE-SB1418 NONINTR WITH P/N 3101420-01	A B	1
- 460B	3022545		..CARRIER ASSEMBLY, FIRST-STAGE REDUCTION POST-SB1193 SEE NOTE 1	A B	1
- 460C	3101420-01		..CARRIER ASSEMBLY, FIRST-STAGE REDUCTION COMPONENT OF P/N 3106255-01 POST-SB1418 PRE-SB1534 TWO-WAY INTRCHG WITH P/N 3101420-02	A B	1
- 460D	3101420-02		..CARRIER ASSEMBLY, FIRST-STAGE REDUCTION COMPONENT OF P/N 3106255-06 MAY BE OBTAINED BY REWORK OF P/N 3101420-01 POST-SB1534	A B	1
- 470	3004587		...SLEEVE, FIRST-STAGE CARRIER COMPONENT OF P/N 3013292 AND 3022545 PRE-SB1193	A B	1
470A	3021326		...SLEEVE, FIRST-STAGE CARRIER COMPONENT OF P/N 3022514 POST-SB1193 PRE-SB1534 TWO-WAY INTRCHG WITH P/N 3123102-01	A B	1

CONTINUED

- ITEM NOT ILLUSTRATED

EFF MODEL A PT6A-27 B PT6A-28	EFF MODEL	EFF MODEL
-------------------------------------	-----------	-----------

72-10-00
Figure 4
Page 15
Aug 27/2004

PRATT & WHITNEY CANADA
ILLUSTRATED PARTS CATALOG
MANUAL PART NO. 3013244

FIG. ITEM	PART NUMBER	AIRLINE PART NUMBER	NOMENCLATURE	EFFECT CODE	UNITS PER ASSY
			1234567		
4					
470B	3123102-01		...SLEEVE, FIRST-STAGE CARRIER COMPONENT OF P/N 3101420-02 POST-SB1534	A B	1
480	3004235		..PLUG, BLANKING COMPONENT OF P/N 3028862, 3101605-01, 3105160-01, 3100149-02 AND 3100149-04	A B	3
- 490	3013139		..PIN ASSEMBLY, FIRST-STAGE PLANET GEAR COMPONENT OF P/N 3013129 INTRCHG WITH P/N 3027581CL	A B	3
- 490A	3027581CL1		..PIN ASSEMBLY, FIRST-STAGE PLANET GEAR 2.850 - 2.970 OZ. COMPONENT OF P/N 3022515 SEE NOTE 2 POST-SB1241 NONINTR WITH P/N 3022025CL1	A B	3
490B	3022025CL1		..PIN ASSEMBLY, FIRST-STAGE PLANET GEAR 3.202-3.218 OZ. COMPONENT OF P/N 3028862, 3101605-01 AND 3105160-01 POST-SB1261 PRE-SB1397 NONINTR WITH P/N 3031396CL1	A B	3
490C	3031396CL1		..PIN, FIRST-STAGE PLANET GEAR 2.981-3.138 OZ. COMPONENT OF P/N 3100149-02 AND 3100149-04 POST-SB1397	A B	3
- 490E	3027581CL2		..PIN ASSEMBLY, FIRST-STAGE PLANET GEAR 2.980 - 3.110 OZ. COMPONENT OF P/N 3022515 SEE NOTE 2 POST-SB1241 NONINTR WITH P/N 3022025CL2	A B	AR
- 490F	3022025CL2		..PIN ASSEMBLY, FIRST-STAGE PLANET GEAR, 3.53-3.368 OZ COMPONENT OF P/N 3028862, 3101605-01 AND 3105160-01 POST-SB1261 PRE-SB1397 NONINTR WITH P/N 3031396CL2	A B	AR

CONTINUED

- ITEM NOT ILLUSTRATED

EFF MODEL A PT6A-27 B PT6A-28	EFF MODEL	EFF MODEL
-------------------------------------	-----------	-----------

72-10-00
Figure 4
Page 16
Aug 27/2004

PRATT & WHITNEY CANADA
ILLUSTRATED PARTS CATALOG
MANUAL PART NO. 3013244

FIG. ITEM	PART NUMBER	AIRLINE PART NUMBER	NOMENCLATURE	EFFECT CODE	UNITS PER ASSY
			1234567		
4					
- 490G	3031396CL2		..PIN, FIRST-STAGE PLANET GEAR 3.139 - 3.12 COMPONENT OF P/N 3100149-02 AND 3100149-04 POST-SB1397	A B	AR
500	MS9486-35		...PIN, LOCK COMPONENT OF P/N 3013139, 3027581 AND 3022025	A B	1
- 510	3013138		...PIN, FIRST-STAGE PLANET GEAR COMPONENT OF P/N 3013139	A B	NP
- 520	3027578CL		...PIN, FIRST-STAGE PLANET GEAR (CLASS MARK AS FOR NHA) COMPONENT OF P/N 3027581	A B	NP
521	3022024CL		...PIN, FIRST-STAGE PLANET GEAR (CLASS MARK AS FOR NHA) COMPONENT OF P/N 3022025	A B	NP
- 522	3031581		..STRAINER ELEMENT ASSEMBLY OIL COMPONENT OF P/N 3100149-02 INTRCHG WITH P/N 3032995	A B	3
522A	3032995		..STRAINER OPTION (IC) COMPONENT OF P/N 3100149-02 AND 3100149-04 POST-SB1397 (IC) CONSISTS OF:	A B	3
	3031581		...STRAINER	A B	AR
	3103152-01		...STRAINER	A B	AR
523	3100143-01		..SEAL, OIL COMPONENT OF P/N 3100149-02 AND 3100149-04 POST-SB1397	A B	3
524	MS9841-09		..KEY, WOODRUFF COMPONENT OF P/N 3100149-02 AND 3100149-04 POST-SB1397	A B	3
525	3022017		..SEPARATOR, OIL, FIRST-STAGE REDUCTION COMPONENT OF P/N 3022515 POST-SB1261 PRE-SB1397	A B	3
526	MS9388-011		..PACKING, PREFORMED COMPONENT OF P/N 3028862 POST-SB1261 INTRCHG WITH P/N AS3209-011	A	3

CONTINUED

- ITEM NOT ILLUSTRATED

EFF MODEL A PT6A-27 B PT6A-28	EFF MODEL	EFF MODEL
-------------------------------------	-----------	-----------

72-10-00

Figure 4

Page 17

Aug 27/2004

PRATT & WHITNEY CANADA
ILLUSTRATED PARTS CATALOG
MANUAL PART NO. 3013244

FIG. ITEM	PART NUMBER	AIRLINE PART NUMBER	1234567 NOMENCLATURE	EFFECT CODE	UNITS PER ASSY
4					
526A	AS3209-011		..PACKING, PREFORMED COMPONENT OF P/N 3028862, 3101605-01, 3105160-01, 3100149-02 AND 3100149-04	A B	3
- 530	3004219		..SCREW, PLANET GEAR PIN COMPONENT OF P/N 3013129 INTRCHG WITH P/N 3027576CL	A B	3
530A	3027576CL1		..SCREW, PLANET GEAR PIN 1.082-1.227 OZ. COMPONENT OF P/N 3022515, 3028862, 3101605-01 AND 3105160-01 POST-SB1241 PRE-SB1397 NONINTR WITH P/N 3100142-01	A B	3
- 530B	3027576CL2		..SCREW, PLANET GEAR PIN 1.249 - 1.394 OZ COMPONENT OF P/N 3022515, 3028862, 3101605-01 AND 3105160-01 POST-SB1241 PRE-SB1397	A B	AR
530C	3100142-01		..SCREW, PLANET GEAR PIN COMPONENT OF P/N 3100149-02 AND 3100149-04 POST-SB1397	A	3
- 540	3004596		..WASHER, KEY, SPECIAL COMPONENT OF P/N 3013129 INTRCHG WITH P/N 3028453	A B	3
540A	3028453		..WASHER, KEY, SPECIAL	A B	3
- 550	3009511		..SHAFT, FIRST-STAGE PLANET GEAR COMPONENT OF P/N 3013129 NONINTR WITH P/N 3021328	A B	3
- 550A	3021328		..SHAFT, FIRST-STAGE PLANET GEAR COMPONENT OF P/N 3022515 POST-SB1193 NONINTR WITH P/N 3027323	A B	3
- 550B	3027323		..SHAFT, FIRST-STAGE PLANET GEAR COMPONENT OF P/N 3022515 NONINTR WITH P/N 3027892	A B	3
- 550C	3027892		..SHAFT, FIRST-STAGE PLANET GEAR COMPONENT OF P/N 3022515 NONINTR WITH P/N 3028145CL	A B	3

CONTINUED

- ITEM NOT ILLUSTRATED

EFF MODEL A PT6A-27 B PT6A-28	EFF MODEL	EFF MODEL
-------------------------------------	-----------	-----------

72-10-00

Figure 4

Page 18

Aug 27/2004

PRATT & WHITNEY CANADA
ILLUSTRATED PARTS CATALOG
MANUAL PART NO. 3013244

FIG. ITEM	PART NUMBER	AIRLINE PART NUMBER	NOMENCLATURE	EFFECT CODE	UNITS PER ASSY
			1234567		
4					
550D	3028145CL1		..SHAFT, FIRST-STAGE PLANET GEAR 1.853 - 1.907 OZ COMPONENT OF P/N 3022515 OR 3028862 POST-SB1241 NONINTR WITH P/N 3030885CL1	A B	3
- 550E	3030885CL1		..SHAFT, FIRST-STAGE PLANET GEAR 1.853 - 1.907 OZ. COMPONENT OF P/N 3028862 POST-SB1241 NONINTR WITH P/N 3031398CL1	A B	3
550F	3031398CL1		..SHAFT, FIRST-STAGE PLANET GEAR 1.930 - 1.960 OZ. COMPONENT OF P/N 3101605-01, 3105160-01, 3100149-02 OR 3100149-04 POST-SB1331 PRE-SB1418 NONINTR WITH P/N 3032110CL1	A B	3
- 550G	3028145CL2		..SHAFT, FIRST-STAGE PLANET GEAR 1.908 - 1.953 OZ COMPONENT OF P/N 3022515 OR 3028862 POST-SB1241 NONINTR WITH P/N 3030885CL2	A B	AR
- 550H	3030885CL2		..SHAFT, FIRST-STAGE PLANET GEAR 1.908 - 1.953 OZ COMPONENT OF P/N 3028862 POST-SB1298 NONINTR WITH P/N 3031398CL2	A	AR
- 550J	3031398CL2		..SHAFT, FIRST-STAGE PLANET GEAR 1.970 - 1.990 OZ COMPONENT OF P/N 3101605-01, 3105160-01, 3100149-02 OR 3100149-04 POST-SB1331 PRE-SB1418 PRE-SB1599 PRE-SB1606 NONINTR WITH P/N 3032110CL22	A	AR
- 550K	3032110CL21		..SHAFT, FIRST-STAGE PLANET GEAR 1.930 - 1.960 OZ COMPONENT OF P/N 3106255-01, 3100149-05, AND 3100149-06 POST-SB1418 POST-SB1599 POST-SB1606	A B	3
CONTINUED					

- ITEM NOT ILLUSTRATED

EFF MODEL A PT6A-27 B PT6A-28	EFF MODEL	EFF MODEL
-------------------------------------	-----------	-----------

72-10-00
Figure 4
Page 19
Aug 27/2004

PRATT & WHITNEY CANADA
ILLUSTRATED PARTS CATALOG
MANUAL PART NO. 3013244

FIG. ITEM	PART NUMBER	AIRLINE PART NUMBER	NOMENCLATURE	EFFECT CODE	UNITS PER ASSY
			1234567		
4					
- 550L	3032110CL22		..SHAFT, FIRST-STAGE PLANET GEAR 1.970 - 1.990 OZ COMPONENT OF P/N 3106255-01, 3100149-05, AND 3100149-06 POST-SB1418 POST-SB1599 POST-SB1606	A B	3
560	3004588		..DOWEL, STRAIGHT	A B	1
570	3004589		..RING, RETAINING	A B	1
580	3004586		..WASHER, THRUST, FIRST-STAGE CARRIER POST-SB1241	A B	1
- 590	3013147		.RESTRICTOR, OIL, FIRST-STAGE REDUCTION USE WITH P/N 3013292 NONINTR WITH P/N 3020695	A B	3
590A	3020695		.RESTRICTOR, OIL, FIRST-STAGE REDUCTION USE WITH P/N 3013292 POST-SB1176 PRE-SB1193	A B	3
- 590B	3022544		.RESTRICTOR, OIL, FIRST-STAGE REDUCTION USE WITH P/N 3104345-01 COMPONENT OF P/N 3022545 POST-SB1193	A B	3
600	MS9388-010		.PACKING, PREFORMED USE WITH P/N 3022544 INTRCHG WITH P/N AS3209-010	A B	3
- 600A	AS3209-010		.PACKING, PREFORMED USE WITH P/N 3013147, 3020695 AND 3022544	A B	3
610	3021572		..WASHER, KEY USE WITH P/N MS9519-08 AND 3022850	A B	6
			NOTE 1: REWORK PART INTRODUCED BY SB1193, WILL NOT BE SUPPLIED AS A SPARE		
			NOTE 2: ORIGINAL WEIGHTS WERE 2.940-3.146 AND 3.147- 3.353 RESPECTIVELY REF SB1241		
CONTINUED					

- ITEM NOT ILLUSTRATED

EFF MODEL A PT6A-27 B PT6A-28	EFF MODEL	EFF MODEL
-------------------------------------	-----------	-----------

72-10-00
Figure 4
Page 20
Aug 27/2004

PRATT & WHITNEY CANADA
ILLUSTRATED PARTS CATALOG
MANUAL PART NO. 3013244

FIG. ITEM	PART NUMBER	AIRLINE PART NUMBER	1234567 NOMENCLATURE	EFFECT CODE	UNITS PER ASSY
4			<p><u>NOTE 3</u>: REWORK PART, INTRODUCED BY SB1259, WILL NOT BE SUPPLIED AS A SPARE</p> <p><u>NOTE 4</u>: BEARINGS MUST BE FITTED IN KITS OF THREE AND NOT MIXED WITH OTHERS IDENTIFIED DIFFERENTLY, THEY MUST BE PROCURED USING BEARING KIT P/N 3035031</p> <p><u>NOTE 5</u>: ORIGINAL WEIGHT WAS 1.921-1.963 OZ</p> <p><u>NOTE 6</u>: ORIGINAL WEIGHT WAS 1.969-2.011 OZ</p> <p><u>NOTE 7</u>: REWORK PART, WILL NOT BE SUPPLIED AS SPARE</p>		

- ITEM NOT ILLUSTRATED

EFF MODEL	EFF MODEL	EFF MODEL
-----------	-----------	-----------

72-10-00
Figure 4
Page 21/22
Aug 27/2004

Housing Assembly, Propeller
Reduction Gearbox, Front
(PT6A-27/-28)

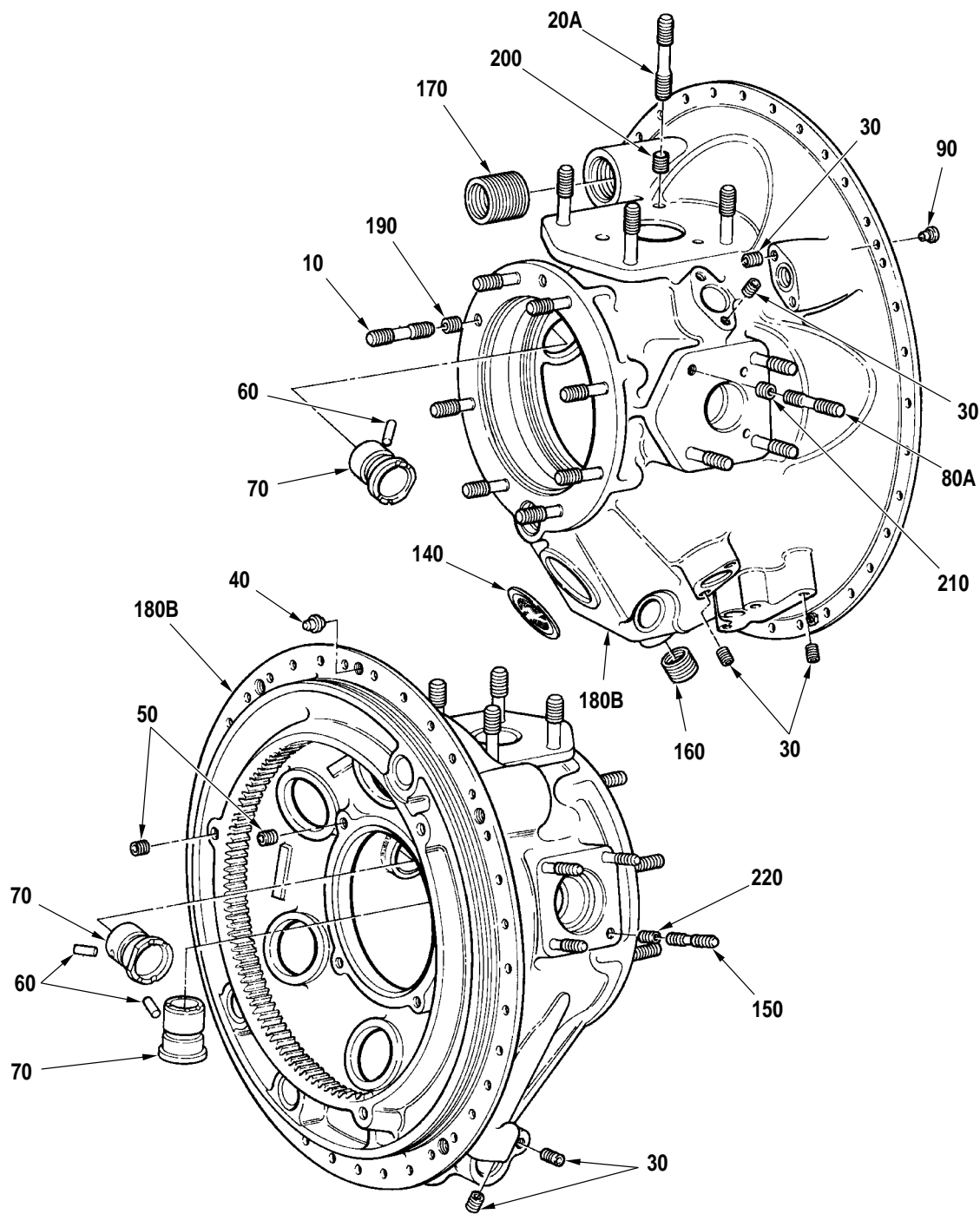
72-10-00

Figure 5

Page 1

Aug 27/2004

PRATT & WHITNEY CANADA
ILLUSTRATED PARTS CATALOG
MANUAL PART NO. 3013244



C52028

Housing Assembly, Propeller Reduction Gearbox, Front
(PT6A-27/-28)
Figure 5

72-10-00

Figure 5

Page 2

Aug 27/2004

PRATT & WHITNEY CANADA
ILLUSTRATED PARTS CATALOG
MANUAL PART NO. 3013244

FIG. ITEM	PART NUMBER	AIRLINE PART NUMBER	1234567 NOMENCLATURE	EFFECT CODE	UNITS PER ASSY
5					
- 1	3007184		HOUSING ASSEMBLY, PROPELLER REDUCTION GEARBOX, FRONT SEE FIG. 2 FOR NHA	A B	REF
- 1A	3022947		HOUSING ASSEMBLY, PROPELLER REDUCTION GEARBOX, FRONT SEE FIG. 2 FOR NHA POST-SB1229 NONINTR WITH P/N 3028266	A B	REF
- 1B	3028266		HOUSING ASSEMBLY, PROPELLER REDUCTION GEARBOX, FRONT SEE FIG. 2 FOR NHA POST-SB1236	A B	REF
10	AN126960		.STUD, STRAIGHT 0.375-16-24 X 2.250	A B	8
- 10A	AN126961		.STUD, STRAIGHT 0.003 IN OVS	A B	AR
- 10B	AN126962		.STUD, STRAIGHT 0.006 IN OVS	A B	AR
- 20	AN126372		.STUD, STRAIGHT 0.3125-18-24 X 2.125 INTRCHG WITH P/N AN126366	A B	4
20A	AN126366		.STUD, STRAIGHT 0.3125-18-24 X 2.062 POST-SB1232	A B	4
- 20B	AN126373		.STUD, STRAIGHT 0.003 IN. OVS INTRCHG WITH P/N AN126367	A B	AR
- 20C	AN126367		.STUD, STRAIGHT 0.003 IN. OVS	A B	AR
- 20D	AN126374		.STUD, STRAIGHT 0.006 IN. OVS INTRCHG WITH P/N AN126368	A B	AR
- 20E	AN126368		.STUD, STRAIGHT 0.006 IN. OVS	A B	AR
30	MS124775		.INSERT HELICAL COIL SCREW	A B	12
40	3004127		.DOWEL, SHOULDERED	A B	1
50	MS124736		.INSERT, HELICAL COIL SCREW	A B	7
60	3003987		.PIN, LOCK	A B	3

CONTINUED

- ITEM NOT ILLUSTRATED

EFF MODEL A PT6A-27 B PT6A-28	EFF MODEL	EFF MODEL
-------------------------------------	-----------	-----------

72-10-00

Figure 5

Page 3

Aug 27/2004

PRATT & WHITNEY CANADA
ILLUSTRATED PARTS CATALOG
MANUAL PART NO. 3013244

FIG. ITEM	PART NUMBER	AIRLINE PART NUMBER	NOMENCLATURE	EFFECT CODE	UNITS PER ASSY
5			1234567		
70	3006523		.BEARING, SLEEVE	A B	3
- 80	AN126546		.STUD, STRAIGHT 0.3125-18-24 X 1.688 INTRCHG WITH P/N AN126336	A B	4
80A	AN126336		.STUD, STRAIGHT 0.3125-18-24 X 1.750	A B	4
- 80B	AN126547		.STUD, STRAIGHT 0.003 IN OVS INTRCHG WITH P/N AN126337	A B	AR
- 80C	AN126337		.STUD, STRAIGHT 0.003 IN OVS	A B	AR
- 80D	AN126548		.STUD, STRAIGHT 0.006 IN OVS INTRCHG WITH P/N AN126348	A B	AR
- 80E	AN126338		.STUD, STRAIGHT 0.006 IN OVS	A B	AR
90	3001941		.INSERT, FLANGE JACKING PRE-PT6A SPB NO.86 TWO-WAY INTRCHG WITH P/N ST3756-01	A B	4
- 90A	ST3756-01		.INSERT, FLANGE JACKING POST-PT6A SPB NO.86	A B	4
- 100	3006078		.PLATE COMPANY NAME	A B	1
- 110	3007243		.SCREW, MACHINE	A B	1
- 120	3007038		.SPACER, NAMEPLATE	A B	1
- 130	3007037		.RETAINER, NAMEPLATE	A B	1
140	3012349		.DECAL, P&WC INSIGNIA, RIGHT INTRCHG WITH P/N 3006078, 3007243, 3007038, 3007037 AND 3032921 PREVIOUSLY INSTALLED AS A SET (SB1100)	A B	1
- 140A	3032921		.DECAL, P&WC INSIGNIA, RIGHT	A B	1
150	AN125994		.STUD, STRAIGHT 0.250-20-18 X 1.375	A B	4
- 150A	AN125995		.STUD, STRAIGHT 0.003 IN OVS	A B	AR

CONTINUED

- ITEM NOT ILLUSTRATED

EFF MODEL A PT6A-27 B PT6A-28	EFF MODEL	EFF MODEL
-------------------------------------	-----------	-----------

72-10-00

Figure 5

Page 4

Aug 27/2004

PRATT & WHITNEY CANADA
ILLUSTRATED PARTS CATALOG
MANUAL PART NO. 3013244

FIG. ITEM	PART NUMBER	AIRLINE PART NUMBER	1234567 NOMENCLATURE	EFFECT CODE	UNITS PER ASSY
5					
- 150B	AN125996		.STUD, STRAIGHT 0.006 IN OVS	A B	AR
160	3006148		.INSERT HELICAL COIL SCREW	A B	1
170	3006066		.INSERT HELICAL COIL SCREW	A B	1
- 180	3007183		.CASE, PROPELLER REDUCTION GEARBOX, FRONT COMPONENT OF P/N 3007184	A B	NP
- 180A	3023025		.HOUSING, PROPELLER REDUCTION GEARBOX, FRONT COMPONENT OF P/N 3022947	A B	NP
180B	3028265		.HOUSING, PROPELLER REDUCTION GEARBOX, FRONT COMPONENT OF P/N 3028266	A B	NP
			KITS, REPAIR/SERVICE PARTS		
190	MS122203		INSERT, HELICAL COIL (FOR SERVICE FIX)	A B	AR
200	MS122202		INSERT, HELICAL COIL (FOR SERVICE FIX)	A B	AR
210	MS122162		INSERT, HELICAL COIL (FOR SERVICE FIX)	A B	AR
220	MS122201		INSERT, HELICAL COIL (FOR SERVICE FIX)	A B	AR

- ITEM NOT ILLUSTRATED

EFF MODEL A PT6A-27 B PT6A-28	EFF MODEL	EFF MODEL
-------------------------------------	-----------	-----------

72-10-00
Figure 5
Page 5/6
Aug 27/2004

Housing Assembly Reduction Gearbox, Rear (PT6A-27/-28)

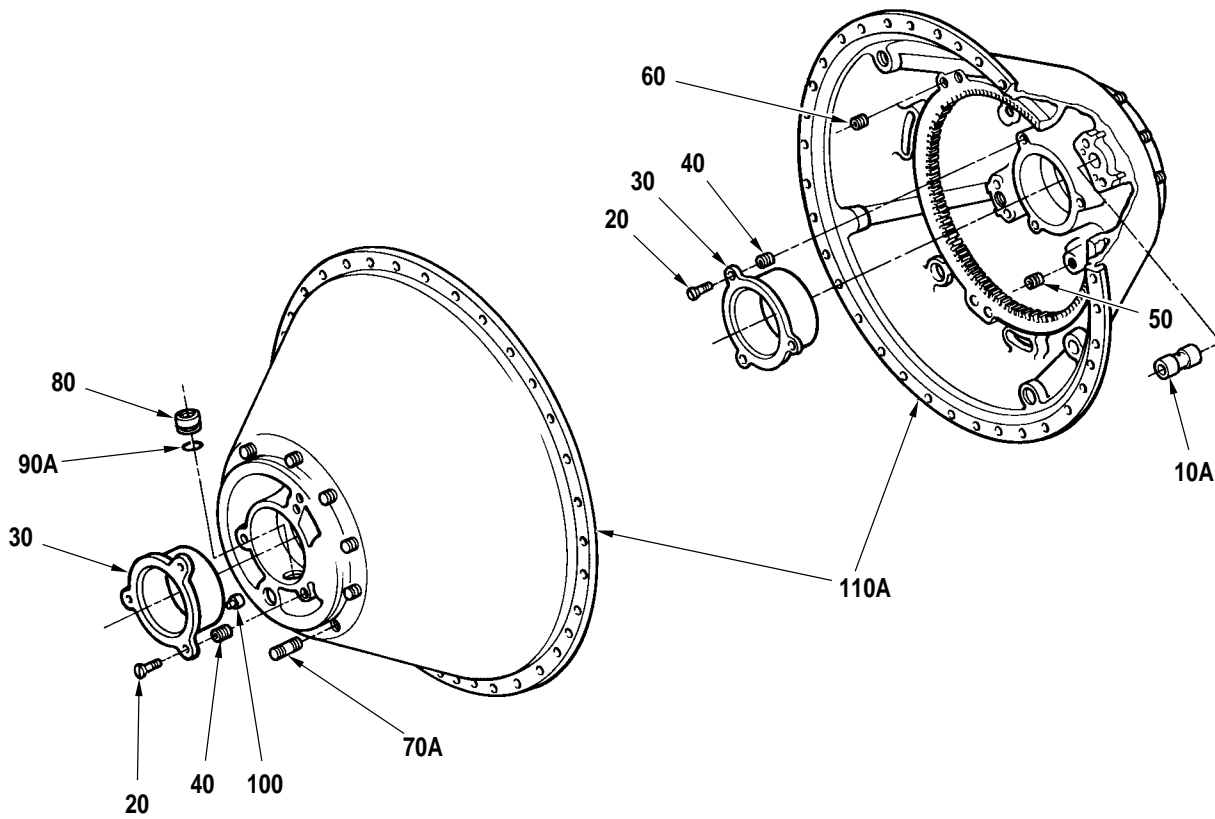
72-10-00

Figure 6

Page 1

Aug 27/2004

PRATT & WHITNEY CANADA
ILLUSTRATED PARTS CATALOG
MANUAL PART NO. 3013244



Housing Assembly Reduction Gearbox, Rear
(PT6A-27/-28)
Figure 6

C52029

72-10-00

Figure 6

Page 2
Aug 27/2004

PRATT & WHITNEY CANADA
ILLUSTRATED PARTS CATALOG
MANUAL PART NO. 3013244

FIG. ITEM	PART NUMBER	AIRLINE PART NUMBER	1234567 NOMENCLATURE	EFFECT CODE	UNITS PER ASSY
6					
- 1	3011298		HOUSING ASSEMBLY REDUCTION GEARBOX, REAR SEE FIG. 2 FOR NHA NONINTR WITH P/N 3028282	A B	REF
- 1A	3028282		HOUSING ASSEMBLY, REDUCTION GEARBOX, REAR SEE FIG. 2 FOR NHA POST-SB1236 INTRCHG WITH P/N 3100749-02	A B	REF
- 1B	3100749-02		HOUSING ASSEMBLY, REDUCTION GEARBOX, REAR SEE FIG. 2 FOR NHA INTRCHG WITH P/N 3100749-04	A B	REF
- 1C	3100749-04		HOUSING ASSEMBLY, REDUCTION GEARBOX, REAR SEE FIG. 2 FOR NHA PRE-SB1553 TWO-WAY INTRCHG WITH P/N 3044254-01	A B	REF
- 1D	3044254-01		.HOUSING ASSEMBLY, PROPELLER REDUCTION GEARBOX, REAR SEE FIG. 2 FOR NHA POST-SB1553	A B	REF
- 10	3004242		.SLEEVE, TORQUEMETER VALVE INTRCHG WITH P/N 3012348	A B	1
10A	3012348		.SLEEVE, TORQUEMETER VALVE	A B	1
20	3007382		.SCREW, MACHINE, CTSK	A B	6
30	3029277		.PARTS KIT, BEARING, FIRST-STAGE CARRIER CONTAINS TWO BEARINGS IDENTIFIED BY OPTIONAL P/N 3004229, 3029274 OR 3105689-01 SEE NOTE 1	A B	1
40	3007311		.INSERT, SCREW THD, SELF-LOCKING	A B	6
50	MS124775		.INSERT, HELICAL COIL	A B	8
60	MS124736		.INSERT, HELICAL COIL	A B	6
- 70	AN155026		.STUD, STEPPED 0.3125-18 X 0.250-28 X 1.250 NONINTR WITH P/N AN155032	A B	12

CONTINUED

- ITEM NOT ILLUSTRATED

EFF MODEL A PT6A-27 B PT6A-28	EFF MODEL	EFF MODEL
-------------------------------------	-----------	-----------

72-10-00
Figure 6
Page 3
Aug 27/2004

PRATT & WHITNEY CANADA
ILLUSTRATED PARTS CATALOG
MANUAL PART NO. 3013244

FIG. ITEM	PART NUMBER	AIRLINE PART NUMBER	NOMENCLATURE	EFFECT CODE	UNITS PER ASSY
6			1234567		
70A	AN155032		.STUD, STEPPED 0.3125-18 X 0.250-28 X 1.312 POST-SB1138	A B	12
- 70B	AN155027		.STUD, STEPPED 0.003 IN OVS NONINTR WITH P/N AN155033	A B	AR
- 70C	AN155033		.STUD, STEPPED 0.003 IN OVS	A B	AR
- 70D	AN155028		.STUD, STEPPED 0.006 IN OVS NONINTR WITH P/N AN155034	A B	AR
- 70E	AN155034		.STUD, STEPPED 0.006 IN OVS	A B	AR
80	3004248		.PLUG, BLANKING	A B	1
- 90	3001843		.PACKING, PREFORMED INTRCHG WITH P/N MS9388-13	A B	1
90A	MS9388-013		.PACKING, PREFORMED INTRCHG WITH P/N AS3209-013	A B	1
- 90B	AS3209-013		.PACKING, PREFORMED	A B	1
100	3005713		.PIN, STEPPED 0.125 X 0.2187 X 0.400	A B	1
- 100A	3005713P10		.PIN, STEPPED 0.010 IN OVS	A B	AR
- 110	3011297		.HOUSING REDUCTION GEARBOX REAR COMPONENT OF P/N 3011298	A B	NP
110A	3028281		.HOUSING, REDUCTION GEARBOX REAR COMPONENT OF P/N 3028282 INTRCHG WITH P/N 3100748-02	A B	NP
- 110B	3100748-02		.HOUSING, REDUCTION GEARBOX REAR COMPONENT OF P/N 3100749-02 INTRCHG WITH P/N 3100748-04	A B	NP
- 110C	3100748-04		.HOUSING, REDUCTION GEARBOX REAR COMPONENT OF P/N 3100749-04 PRE-SB1553 TWO-WAY INTRCHG WITH P/N 3044252-01	A B	NP
- 110D	3044252-01		.HOUSING, REDUCTION GEARBOX, REAR COMPONENT OF P/N 3044254-01 POST-SB1553	A B	NP

CONTINUED

- ITEM NOT ILLUSTRATED

EFF MODEL A PT6A-27 B PT6A-28	EFF MODEL	EFF MODEL
-------------------------------------	-----------	-----------

72-10-00

Figure 6

Page 4

Aug 27/2004

PRATT & WHITNEY CANADA
ILLUSTRATED PARTS CATALOG
MANUAL PART NO. 3013244

FIG. ITEM	PART NUMBER	AIRLINE PART NUMBER	1234567 NOMENCLATURE	EFFECT CODE	UNITS PER ASSY
6			<p><u>NOTE 1:</u> INDIVIDUAL BEARINGS MAY BE REPLACED PROVIDING THE REPLACEMENT HAS THE SAME PART NUMBER. BEARINGS MUST BE PROCURED USING THE KIT PART NUMBER</p>		

- ITEM NOT ILLUSTRATED

EFF MODEL	EFF MODEL	EFF MODEL
-----------	-----------	-----------

72-10-00
Figure 6
Page 5/6
Aug 27/2004

Chip Detector Installation (PT6A-27/-28)

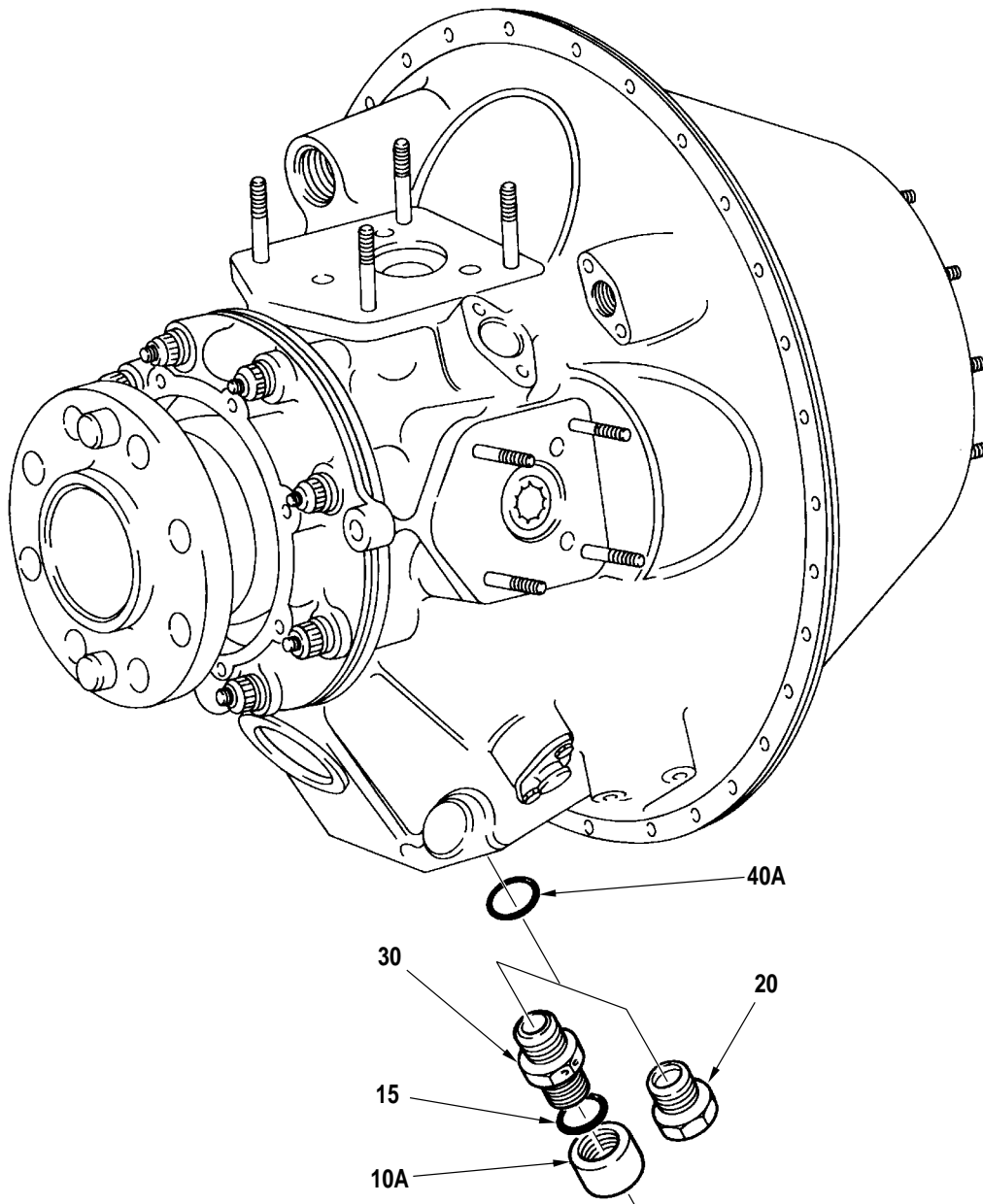
72-10-00

Figure 7

Page 1

Aug 27/2004

PRATT & WHITNEY CANADA
ILLUSTRATED PARTS CATALOG
MANUAL PART NO. 3013244



Chip Detector Installation (PT6A-27/-28)
Figure 7

C52083A

72-10-00

Figure 7

Page 2

Aug 27/2004

PRATT & WHITNEY CANADA
ILLUSTRATED PARTS CATALOG
MANUAL PART NO. 3013244

FIG. ITEM	PART NUMBER	AIRLINE PART NUMBER	NOMENCLATURE	EFFECT CODE	UNITS PER ASSY
7			1234567		
- 1			CHIP DETECTOR INSTALLATION SEE 72-00-00 FIG. 1 FOR NHA	A B	REF
- 10	MS25043-12D		.COVER, ELECTRICAL CONNECTOR	A B	1
10A	3027279		.COVER, ELECTRICAL CONNECTOR SEE NOTE 1 POST-SB1217	A B	1
15	MS9387-08		.PACKING, PREFORMED USE WITH P/N 3027279 INTRCHG WITH P/N AS3208-08	A B	1
- 15A	AS3208-08		.PACKING, PREFORMED USE WITH P/N 3027279	A B	1
20	MS9015-08		.PLUG, MACHINE, DRD HEX PRE-SB1217 INTRCHG WITH P/N MS9954-08	A B	1
- 20A	MS9954-08		.PLUG, MACHINE, DRD HEX	A B	1
30	3027254		.DETECTOR OPTION (IC) POST-SB1217 INTRCHG WITH P/N 3030364 (IC) CONSISTS OF:	A B	1
	3014794		..DETECTOR, CHIP MAGNETIC		AR
	3019373		..DETECTOR, CHIP MAGNETIC		AR
- 30A	3030364		.DETECTOR OPTION (IC) INTRCHG WITH P/N 3034081 (IC) CONSISTS OF:	A B	1
	3029199		..DETECTOR, CHIP, MAGNETIC		AR
	3030359		..DETECTOR, CHIP, MAGNETIC		AR
- 30B	3034081		.DETECTOR OPTION (IC) PRE-PT6A SPB NO.56 TWO-WAY INTRCHG WITH P/N 3045950-01 (IC) CONSISTS OF:	A B	1
	3030359		..DETECTOR, CHIP, MAGNETIC		AR
	3034026		..DETECTOR, CHIP, MAGNETIC		AR
- 30C	3045950-01		.DETECTOR OPTION (IC) POST-PT6A SPB NO.56 PRE-PT6A SPB NO.84 TWO-WAY INTRCHG WITH P/N 3045951-02 (IC) CONSISTS OF:	A B	1
	3034026		..DETECTOR, CHIP, MAGNETIC		AR

CONTINUED

- ITEM NOT ILLUSTRATED

EFF MODEL A PT6A-27 B PT6A-28	EFF MODEL	EFF MODEL
-------------------------------------	-----------	-----------

72-10-00
Figure 7
Page 3
Aug 27/2004

PRATT & WHITNEY CANADA
ILLUSTRATED PARTS CATALOG
MANUAL PART NO. 3013244

FIG. ITEM	PART NUMBER	AIRLINE PART NUMBER	1234567 NOMENCLATURE	EFFECT CODE	UNITS PER ASSY
7	3045951-01		. . DETECTOR, CHIP, MAGNETIC		AR
- 30D	3045951-02		. MAGNETIC, CHIP DETECTOR POST-PT6A SPB NO.84	A B	1
- 40	3006149		. PACKING, PREFORMED INTRCHG WITH P/N MS9388-115	A B	1
40A	MS9388-115		. PACKING, PREFORMED INTRCHG WITH P/N AS3209-115	A B	1
- 40B	AS3209-115		. PACKING, PREFORMED	A B	1
			<u>NOTE 1</u> : INTRODUCED ON NEW ENGINES AS AN ALTERNATE TO MS25043-12D		

- ITEM NOT ILLUSTRATED

EFF MODEL A PT6A-27 B PT6A-28	EFF MODEL	EFF MODEL
-------------------------------------	-----------	-----------

72-10-00
Figure 7
Page 4
Aug 27/2004