

**PRATT & WHITNEY CANADA**  
**ILLUSTRATED PARTS CATALOG**  
**MANUAL PART NO. 3013244**

LIST OF EFFECTIVE PAGES

<u>CHAPTER SECTION</u>	<u>PAGE</u>	<u>DATE</u>
LEP	1	Aug 27/2004
	2 blank	Aug 27/2004
Contents	1	Aug 27/2004
	2 blank	Aug 27/2004
61-20-00 Figure 1	1	Aug 27/2004
	2	Aug 27/2004
	3	Aug 27/2004
	4	Aug 27/2004
	5	Aug 27/2004
	6	Aug 27/2004
	7	Aug 27/2004
	8	Aug 27/2004
	9	Aug 27/2004
	10	Aug 27/2004
	11	Aug 27/2004
	12	Aug 27/2004



**PRATT & WHITNEY CANADA**  
**ILLUSTRATED PARTS CATALOG**  
**MANUAL PART NO. 3013244**

TABLE OF CONTENTS

<u>TITLE</u>	<u>CH/SE/SU</u>	<u>FIGURE</u>
Propeller Governor Installation	61-20-00	1



# Propeller Governor Installation

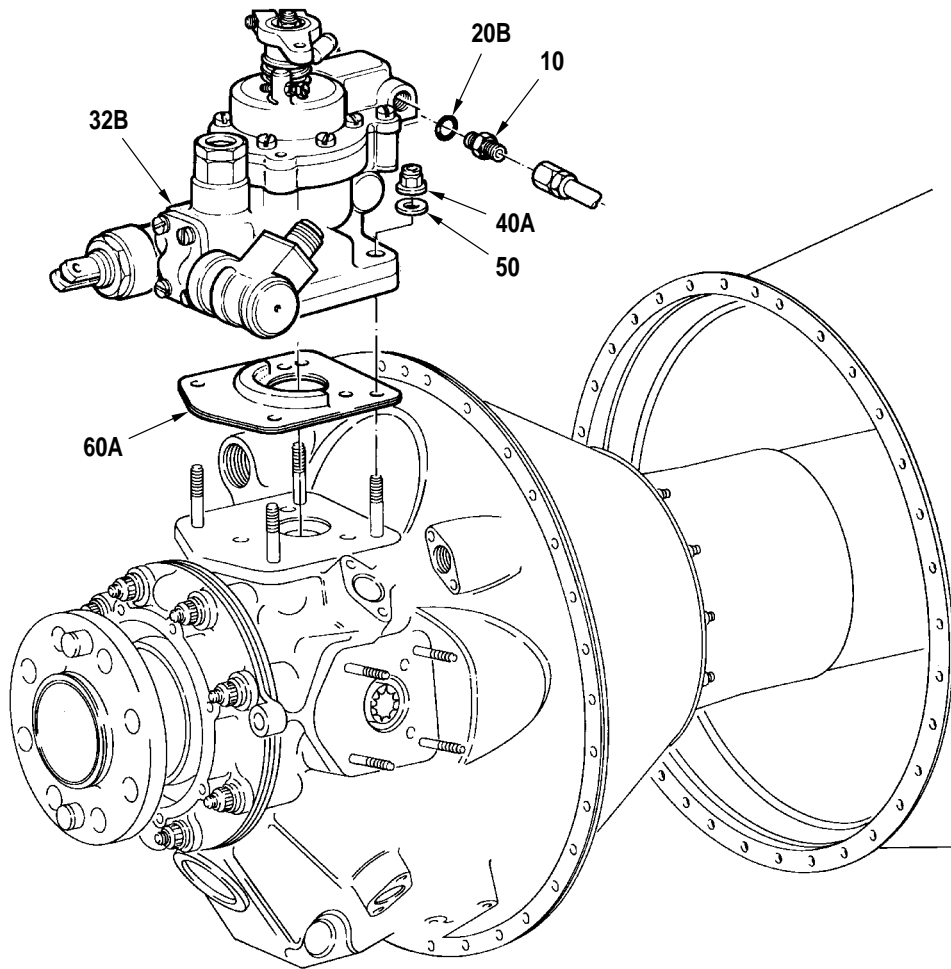
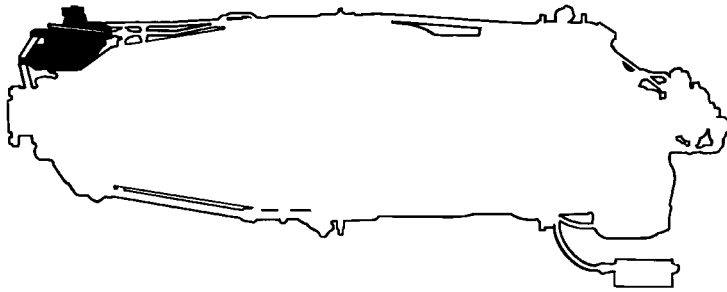
**61-20-00**

**Figure 1**

Page 1

Aug 27/2004

PRATT & WHITNEY CANADA  
ILLUSTRATED PARTS CATALOG  
MANUAL PART NO. 3013244



Propeller Governor Installation  
Figure 1

C52013C

**61-20-00**

**Figure 1**

Page 2

Aug 27/2004

**PRATT & WHITNEY CANADA**  
**ILLUSTRATED PARTS CATALOG**  
**MANUAL PART NO. 3013244**

FIG. ITEM	PART NUMBER	AIRLINE PART NUMBER	NOMENCLATURE	EFFECT CODE	UNITS PER ASSY
1			1234567		
- 1			PROPELLER GOVERNOR INSTALLATION SEE 72-00-00 FIG. 1 FOR NHA	A B C	REF
10	MS9193-04		.NIPPLE, TUBE	A B C	1
- 20	3007754		.PACKING, PREFORMED INTRCHG WITH P/N MS9387-04	A B C	1
- 20A	MS9387-04		.PACKING, PREFORMED INTRCHG WITH P/N 3014223	A B C	1
20B	3014223		.PACKING, PREFORMED	A B C	1
- 30	8210-002V		.GOVERNOR, PROPELLER FOR ENGINES BUILT TO BS307, BS321, BS374, BS393, BS414, BS622, BS624, BS801 FOR ENGINES BUILT TO BS485, BS570, BS610 FOR ENGINES BUILT TO BS459, BS486, BS571, BS671, BS788 SUPPLIER CODE: 66503 P&WC P/N: 3011540J SEE NOTE 2 AND 4 INTRCHG WITH P/N 8210-002W	A B C	1
- 30A	8210-002W		.GOVERNOR, PROPELLER FOR ENGINES BUILT TO BS307, BS321, BS374, BS393, BS414, BS622, BS624, BS801 FOR ENGINES BUILT TO BS485, BS570, BS610 FOR ENGINES BUILT TO BS459, BS486, BS571, BS671, BS788 SUPPLIER CODE: 66503 P&WC P/N: 3011540K SEE NOTE 2 AND 4 INTRCHG WITH P/N 8210-002Y	A B C	1

CONTINUED

- ITEM NOT ILLUSTRATED

EFF MODEL A PT6A-27 B PT6A-28 C PT6A-21	EFF MODEL	EFF MODEL
--	-----------	-----------

**61-20-00**  
**Figure 1**  
Page 3  
Aug 27/2004

**PRATT & WHITNEY CANADA**  
**ILLUSTRATED PARTS CATALOG**  
**MANUAL PART NO. 3013244**

FIG. ITEM	PART NUMBER	AIRLINE PART NUMBER	NOMENCLATURE	EFFECT CODE	UNITS PER ASSY
1			1234567		
- 30B	8210-002Y		.GOVERNOR, PROPELLER FOR ENGINES BUILT TO BS307, BS321, BS374, BS393, BS414, BS622, BS624, BS801 FOR ENGINES BUILT TO BS485, BS570, BS610 FOR ENGINES BUILT TO BS459, BS486, BS571, BS671, BS788 SUPPLIER CODE: 66503 P&WC P/N: 3032015 SEE NOTE 2 AND 4 POST-SB1334 PRE-SB1335 PRE-SB1391 INTRCHG WITH P/N 8210-025B	A B C	1
- 30C	8210-002AA		.GOVERNOR, PROPELLER FOR ENGINES BUILT TO BS307, BS321, BS374, BS393, BS414, BS622, BS624, BS801 FOR ENGINES BUILT TO BS485, BS570, BS610 FOR ENGINES BUILT TO BS459, BS486, BS571, BS671, BS788 SUPPLIER CODE: 66503 P&WC P/N: 3032015A SEE NOTE 2 AND 4 POST-SB1391 PRE-SB1395 INTRCHG WITH P/N 8210-002AB	A B C	1
- 30D	8210-002AB		.GOVERNOR, PROPELLER, SUPPLIER FOR ENGINES BUILT TO BS307, BS321, BS374, BS393, BS414, BS622, BS624, BS801 FOR ENGINES BUILT TO BS485, BS570, BS610 FOR ENGINES BUILT TO BS459, BS486, BS571, BS671, BS788 SUPPLIER CODE: 66503 P&WC P/N: 3032015B SEE NOTE 2 AND 4 POST-SB1395 PRE-SB1470 INTRCHG WITH P/N 8210-002AC	A B C	1

CONTINUED

- ITEM NOT ILLUSTRATED

EFF MODEL	EFF MODEL	EFF MODEL
A PT6A-27		
B PT6A-28		
C PT6A-21		

**61-20-00**

**Figure 1**

Page 4

Aug 27/2004



**PRATT & WHITNEY CANADA**  
**ILLUSTRATED PARTS CATALOG**  
**MANUAL PART NO. 3013244**

FIG. ITEM	PART NUMBER	AIRLINE PART NUMBER	NOMENCLATURE	EFFECT CODE	UNITS PER ASSY
1			1234567		
- 30E	8210-002AC		.GOVERNOR, PROPELLER FOR ENGINES BUILT TO BS307, BS321, BS374, BS393, BS414, BS622, BS624, BS801, BS877 FOR ENGINES BUILT TO BS485, BS570, BS610 FOR ENGINES BUILT TO BS1141 SUPPLIER CODE: 66503 P&WC P/N: 3035926 SEE NOTE 4 AND 10 POST-SB1470 INTRCHG WITH P/N 8210-002AD	A B C	1
- 30F	8210-002AD		.GOVERNOR, PROPELLER FOR ENGINES BUILT TO BS307, BS321, BS374, BS393, BS414, BS622, BS624, BS801, BS877 FOR ENGINES BUILT TO BS485, BS570, BS610 FOR ENGINES BUILT TO BS1141 SUPPLIER CODE: 66503 LATEST PARTS LIST NO: 8210- 002AE P&WC P/N: 3035926D SEE NOTE 4 AND 10 PRE-SB1582 RESTRICTED INTERCHANGEABILITY WITH P/N 3045798-01. REFER TO APPLICABLE SERVICE BULLETIN.	A B C	1
- 31	8210-025B		.GOVERNOR, PROPELLER FOR ENGINES BUILT TO BS570 FOR ENGINES BUILT TO BS459, BS486, BS571, BS671, BS788 SUPPLIER CODE: 66503 P&WC P/N: 3032122 SEE NOTE 4 AND 9 POST-SB1335 PRE-SB1391 INTRCHG WITH P/N 8210-025C	B C	1
- 31A	8210-025C		.GOVERNOR, PROPELLER FOR ENGINES BUILT TO BS570 FOR ENGINES BUILT TO BS459, BS486, BS571, BS671, BS788 SUPPLIER CODE: 66503 P&WC P/N: 3032122A SEE NOTE 4 AND 9 POST-SB1391 PRE-SB1395 INTRCHG WITH P/N 8210-025D	B C	1

CONTINUED

- ITEM NOT ILLUSTRATED

EFF MODEL A PT6A-27 B PT6A-28 C PT6A-21	EFF MODEL	EFF MODEL
--	-----------	-----------

**61-20-00**

**Figure 1**

Page 5

Aug 27/2004

**PRATT & WHITNEY CANADA**  
**ILLUSTRATED PARTS CATALOG**  
**MANUAL PART NO. 3013244**

FIG. ITEM	PART NUMBER	AIRLINE PART NUMBER	NOMENCLATURE	EFFECT CODE	UNITS PER ASSY
1			1234567		
- 31B	8210-025D		.GOVERNOR, PROPELLER FOR ENGINES BUILT TO BS570 FOR ENGINES BUILT TO BS459, BS486, BS571, BS671, BS788 SUPPLIER CODE: 66503 P&WC P/N: 3032122B SEE NOTE 4 AND 9 POST-SB1395 PRE-SB1470 INTRCHG WITH P/N 8210-025E	B C	1
- 31C	8210-025E		.GOVERNOR, PROPELLER FOR ENGINES BUILT TO BS570 FOR ENGINES BUILT TO BS459, BS486, BS571, BS671, BS788 SUPPLIER CODE: 66503 P&WC P/N: 3035932 SEE NOTE 3 AND 10 POST-SB1470 INTRCHG WITH P/N 8210-025F	B C	1
- 31D	8210-025F		.GOVERNOR, PROPELLER FOR ENGINES BUILT TO BS570 FOR ENGINES BUILT TO BS459, BS486, BS571, BS671, BS788 SUPPLIER CODE: 66503 LATEST PARTS LIST NO: 8210-025G P&WC P/N: 3035932D SEE NOTE 3 AND 10	B C	1
- 32	8210-003		.GOVERNOR, PROPELLER SUPPLIER CODE: 66503 P&WC P/N: 3015476 INTRCHG WITH P/N 8210-003K	A B	1
- 32A	8210-003H		.GOVERNOR, PROPELLER FOR ENGINES BUILT TO BS325, BS330, BS362, BS367, BS410, BS423 FOR ENGINES BUILT TO BS346, BS365, BS418, BS419, BS473, BS475 FOR ENGINES BUILT TO BS459, BS486, BS571, BS671, BS788 SUPPLIER CODE: 66503 P&WC P/N: 3015381F SEE NOTE 2 INTRCHG WITH P/N 8210-003K	A B C	1

CONTINUED

- ITEM NOT ILLUSTRATED

EFF MODEL	EFF MODEL	EFF MODEL
A PT6A-27		
B PT6A-28		
C PT6A-21		

**61-20-00**

**Figure 1**

Page 6

Aug 27/2004

**PRATT & WHITNEY CANADA**  
**ILLUSTRATED PARTS CATALOG**  
**MANUAL PART NO. 3013244**

FIG. ITEM	PART NUMBER	AIRLINE PART NUMBER	NOMENCLATURE	EFFECT CODE	UNITS PER ASSY
1			1234567		
32B	8210-003K		.GOVERNOR, PROPELLER FOR ENGINES BUILT TO BS325, BS330, BS362, BS367, BS410, BS423 FOR ENGINES BUILT TO BS346, BS365, BS418, BS419, BS473, BS475 FOR ENGINES BUILT TO BS459, BS486, BS571, BS671, BS788 SUPPLIER CODE: 66503 P&WC P/N: 3015381H SEE NOTE 2 INTRCHG WITH P/N 8210-003L	A B C	1
- 32C	8210-003L		.GOVERNOR, PROPELLER FOR ENGINES BUILT TO BS325, BS330, BS362, BS367, BS410, BS423 FOR ENGINES BUILT TO BS346, BS365, BS418, BS419, BS473, BS475 FOR ENGINES BUILT TO BS459, BS486, BS571, BS671, BS788 SUPPLIER CODE: 66503 P&WC P/N: 3015381J SEE NOTE 2 INTRCHG WITH P/N 8210-003M	A B C	1
- 32D	8210-003M		.GOVERNOR, PROPELLER FOR ENGINES BUILT TO BS325, BS330, BS362, BS367, BS410, BS423 FOR ENGINES BUILT TO BS346, BS365, BS418, BS419, BS473, BS475 FOR ENGINES BUILT TO BS459, BS486, BS571, BS671, BS788 SUPPLIER CODE: 66503 P&WC P/N: 3032016 SEE NOTE 2 AND 3 POST-SB1334 PRE-SB1391 INTRCHG WITH P/N 8210-003N	A B C	1

CONTINUED

- ITEM NOT ILLUSTRATED

EFF MODEL A PT6A-27 B PT6A-28 C PT6A-21	EFF MODEL	EFF MODEL
--	-----------	-----------

**61-20-00**  
**Figure 1**  
Page 7  
Aug 27/2004

**PRATT & WHITNEY CANADA**  
**ILLUSTRATED PARTS CATALOG**  
**MANUAL PART NO. 3013244**

FIG. ITEM	PART NUMBER	AIRLINE PART NUMBER	NOMENCLATURE	EFFECT CODE	UNITS PER ASSY
1			1234567		
- 32E	8210-003N		. GOVERNOR, PROPELLER FOR ENGINES BUILT TO BS325, BS330, BS362, BS367, BS410, BS423 FOR ENGINES BUILT TO BS346, BS365, BS418, BS419, BS473, BS475 FOR ENGINES BUILT TO BS459, BS486, BS571, BS671, BS788 SUPPLIER CODE: 66503 P&WC P/N: 3032016A SEE NOTE 3 AND 10 POST-SB1391 PRE-SB1395 INTRCHG WITH P/N 8210-003P	A B C	1
- 32F	8210-003P		. GOVERNOR, PROPELLER FOR ENGINES BUILT TO BS325, BS330, BS362, BS367, BS410, BS423 FOR ENGINES BUILT TO BS346, BS365, BS418, BS419, BS473, BS475 FOR ENGINES BUILT TO BS459, BS486, BS571, BS671, BS788 SUPPLIER CODE: 66503 P&WC P/N: 3032016B SEE NOTE 2 AND 3 POST-SB1395 PRE-SB1470 INTRCHG WITH P/N 8210-003R	A B C	1
- 32G	8210-003R		. GOVERNOR, PROPELLER FOR ENGINES BUILT TO BS325, BS330, BS362, BS367, BS410, BS423 FOR ENGINES BUILT TO BS346, BS365, BS418, BS419, BS473, BS475 FOR ENGINES BUILT TO BS459, BS486, BS571, BS671, BS788 SUPPLIER CODE: 66503 P&WC P/N: 3035927 SEE NOTE 3 AND 10 POST-SB1470 INTRCHG WITH P/N 8210-003T	A B C	1

CONTINUED

- ITEM NOT ILLUSTRATED

EFF MODEL	EFF MODEL	EFF MODEL
A PT6A-27		
B PT6A-28		
C PT6A-21		

**61-20-00**  
**Figure 1**  
Page 8  
Aug 27/2004

**PRATT & WHITNEY CANADA**  
**ILLUSTRATED PARTS CATALOG**  
**MANUAL PART NO. 3013244**

FIG. ITEM	PART NUMBER	AIRLINE PART NUMBER	NOMENCLATURE	EFFECT CODE	UNITS PER ASSY
1			1234567		
- 32H	8210-003T		.GOVERNOR, PROPELLER FOR ENGINES BUILT TO BS325, BS330, BS362, BS367, BS410, BS423 FOR ENGINES BUILT TO BS346, BS365, BS418, BS419, BS473, BS475 FOR ENGINES BUILT TO BS459, BS486, BS571, BS671, BS788 SUPPLIER CODE: 66503 LATEST PARTS LIST NO: 8210-003U P&WC P/N: 3035927D SEE NOTE 3 AND 10	A B C	1
- 33	8210-004K		.GOVERNOR, PROPELLER FOR ENGINES BUILT TO BS324, BS392, BS954 SUPPLIER CODE: 66503 P&WC P/N: 3015362K SEE NOTE 2 INTRCHG WITH P/N 8210-004L	A	1
- 33A	8210-004L		.GOVERNOR, PROPELLER FOR ENGINES BUILT TO BS324, BS392, BS954 SUPPLIER CODE: 66503 P&WC P/N: 3015362L SEE NOTE 2 PRE-SB1334 INTRCHG WITH P/N 8210-004M	A	1
- 33B	8210-004M		.GOVERNOR, PROPELLER FOR ENGINES BUILT TO BS324, BS392, BS954 SUPPLIER CODE: 66503 P&WC P/N: 3032017 SEE NOTE 2 POST-SB1391 PRE-SB1395 INTRCHG WITH P/N 8210-004N	A	1
- 33C	8210-004N		.GOVERNOR, PROPELLER FOR ENGINES BUILT TO BS324, BS392, BS954 SUPPLIER CODE: 66503 P&WC P/N: 3032017A SEE NOTE 10 POST-SB1391 PRE-SB1395 INTRCHG WITH P/N 8210-004P	A	1

CONTINUED

- ITEM NOT ILLUSTRATED

EFF MODEL A PT6A-27 B PT6A-28 C PT6A-21	EFF MODEL	EFF MODEL
--	-----------	-----------

**61-20-00**  
**Figure 1**  
Page 9  
Aug 27/2004

**PRATT & WHITNEY CANADA**  
**ILLUSTRATED PARTS CATALOG**  
**MANUAL PART NO. 3013244**

FIG. ITEM	PART NUMBER	AIRLINE PART NUMBER	NOMENCLATURE	EFFECT CODE	UNITS PER ASSY
			1234567		
1					
- 33D	8210-004P		. GOVERNOR, PROPELLER FOR ENGINES BUILT TO BS324, BS392, BS954 SUPPLIER CODE: 66503 P&WC P/N: 3032017B SEE NOTE 2 POST-SB1395 PRE-SB1470 INTRCHG WITH P/N 8210-004R	A	1
- 33E	8210-004R		. GOVERNOR, PROPELLER FOR ENGINES BUILT TO BS324, BS392, BS954 SUPPLIER CODE: 66503 P&WC P/N: 3035928 SEE NOTE 10 POST-SB1470 INTRCHG WITH P/N 8210-004T	A	1
- 33F	8210-004T		. GOVERNOR, PROPELLER FOR ENGINES BUILT TO BS324, BS392, BS954 SUPPLIER CODE: 66503 LATEST PARTS LIST NO: 8210-004U P&WC P/N: 3035928D SEE NOTE 10	A	1
- 34	8210-202B		. GOVERNOR, PROPELLER FOR ENGINES BUILT TO BS307, BS321, BS374, BS393, BS414, BS622, BS624, BS801 FOR ENGINES BUILT TO BS485, BS570, BS610 SUPPLIER CODE: 66503 P&WC P/N: 3034458	A B	1
- 35	8210-412		. GOVERNOR, PROPELLER, FOR ENGINES BUILT TO BS877 USE WITH FOUR BLADED PROP ONLY SUPPLIER CODE: 66503 LATEST PARTS LIST NO: 8210-412B P&WC P/N: 3045798-01 POST-SB1582	A	1
- 40	3021772		ATTACHING PARTS ..NUT OPTION (IC) SEE TABLE FOR OPTIONAL PART NUMBERS	A B C	4
40A	3021772		..NUT OPTION (IC) SEE TABLE FOR OPTIONAL PART NUMBERS	A B C	4

CONTINUED

- ITEM NOT ILLUSTRATED

EFF MODEL	EFF MODEL	EFF MODEL
A PT6A-27		
B PT6A-28		
C PT6A-21		

**61-20-00**  
**Figure 1**  
Page 10  
Aug 27/2004

**PRATT & WHITNEY CANADA**  
**ILLUSTRATED PARTS CATALOG**  
**MANUAL PART NO. 3013244**

FIG. ITEM	PART NUMBER	AIRLINE PART NUMBER	1234567 NOMENCLATURE	EFFECT CODE	UNITS PER ASSY
1					
- 40B	ST3066-11		..NUT OPTION (IC) SEE TABLE FOR OPTIONAL PART NUMBERS	A B C	4
50	3001657		..WASHER, PLAIN INTRCHG WITH P/N 3103007-01	A B C	4
- 50A	3103007-01		..WASHER, PLAIN	A B C	4
			-----*-----		
- 60	3010817		.GASKET, PROPELLER GOVERNOR INTRCHG WITH P/N 206684	A B C	1
60A	206684C		.GASKET, PROPELLER GOVERNOR SUPPLIER CODE: 66503 P&WC P/N: 3028832 PRE-SB1476 TWO-WAY INTRCHG WITH P/N 206684G	A B C	1
- 60B	206684G		.GASKET, PROPELLER GOVERNOR SUPPLIER CODE: 66503 P&WC P/N: 3039526 POST-SB1476	A B C	1
			NOTE 1: DELETED		
			NOTE 2: FOR COMPLETE BREAKDOWN AND ADDITIONAL INFORMATION REFER TO WOODWARD GOVERNOR ACCESSORY OVERHAUL MANUAL P/N 61-20-01		
			NOTE 3: THIS GOVERNOR IS FITTED WITH THE LOCK PITCH SOLENOID VALVE		
			NOTE 4: THIS GOVERNOR IS FITTED WITHOUT THE LOCK PITCH SOLENOID VALVE		
			NOTE 5: DELETED		
			NOTE 6: DELETED		
			NOTE 7: DELETED		
			NOTE 8: DELETED		
			CONTINUED		

- ITEM NOT ILLUSTRATED

EFF MODEL	EFF MODEL	EFF MODEL
A PT6A-27		
B PT6A-28		
C PT6A-21		

**61-20-00**  
**Figure 1**  
Page 11  
Aug 27/2004

**PRATT & WHITNEY CANADA**  
**ILLUSTRATED PARTS CATALOG**  
**MANUAL PART NO. 3013244**

FIG. ITEM	PART NUMBER	AIRLINE PART NUMBER	1234567  NOMENCLATURE	EFFECT CODE	UNITS PER ASSY
1			<p><u>NOTE 9</u>: FOR COMPLETE BREAKDOWN AND ADDITIONAL INFORMATION REFER TO WOODWARD GOVERNOR ACCESSORY OVERHAUL MANUAL P/N 61-20-06</p> <p><u>NOTE 10</u>: FOR COMPLETE BREAKDOWN AND ADDITIONAL INFORMATION REFER TO WOODWARD GOVERNOR ACCESSORY OVERHAUL MANUAL P/N 61-20-14</p>		

- ITEM NOT ILLUSTRATED

EFF MODEL	EFF MODEL	EFF MODEL
-----------	-----------	-----------

61-20-00

Figure 1

Page 12

Aug 27/2004